

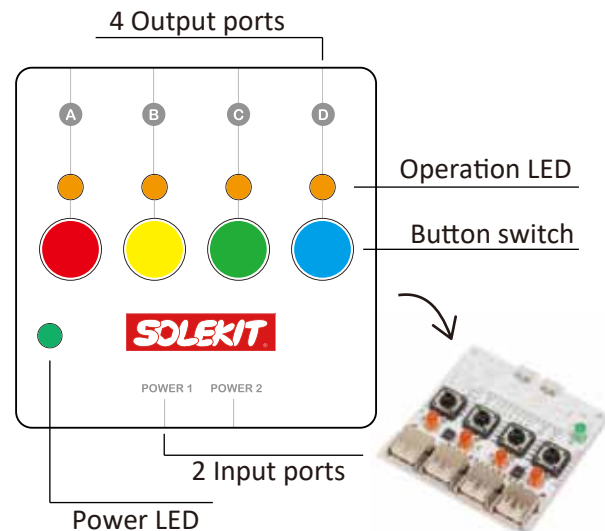


SOLEKIT MULTI CONTROLLER

Instruction Manual



Solekit multi controller is a printed circuit board that moves up to 4 Solekits.

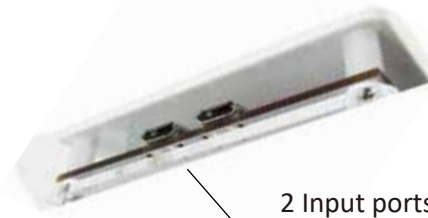


Remove the cover to use it as a multi-controller USB. Please read the instruction manual carefully before using.

4 Output ports
USB Type A



2 Input ports
USB Micro Type B



Attach the included jumper cap to the solenoid switch board.



■ Attention (For Parents)

- Please read this manual carefully before use. Please read this also for parents.
- Use a DC5V power supply (mobile battery, smartphone charger, battery, etc.).
- Avoid high temperature and humidity, use and store indoors at room temperature.
- Please be careful not to give a big impact as it may cause damage.
- Product specifications and shapes are subject to change without notice.

■ Contact us

TAKAHA KIKO E-MAIL: info@takaha.co.jp

