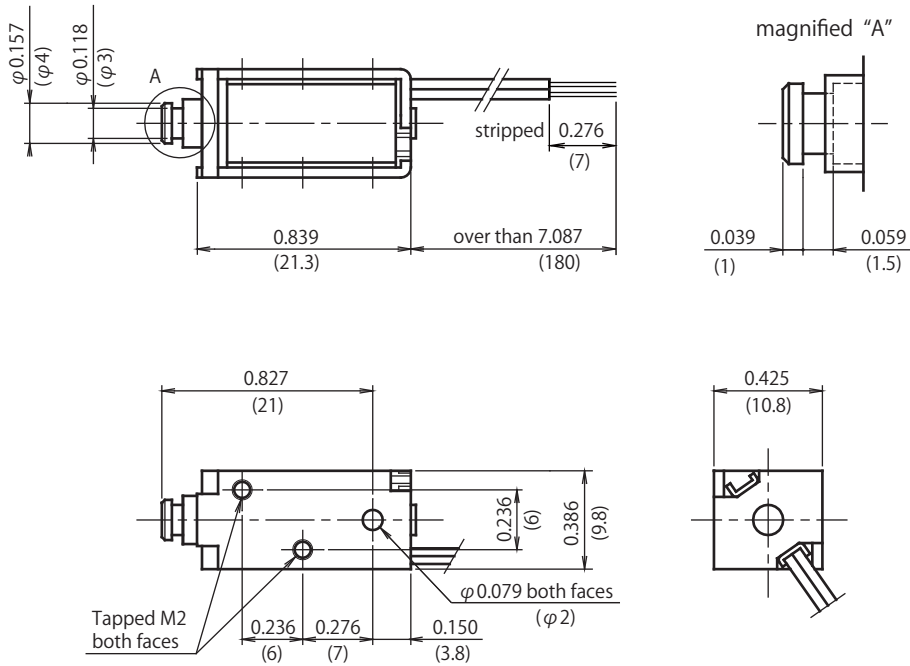


# CA0422

DIMENSIONS ARE  $\frac{\text{INCHES}}{\text{MILLIMETERS}}$



Adsorbed position

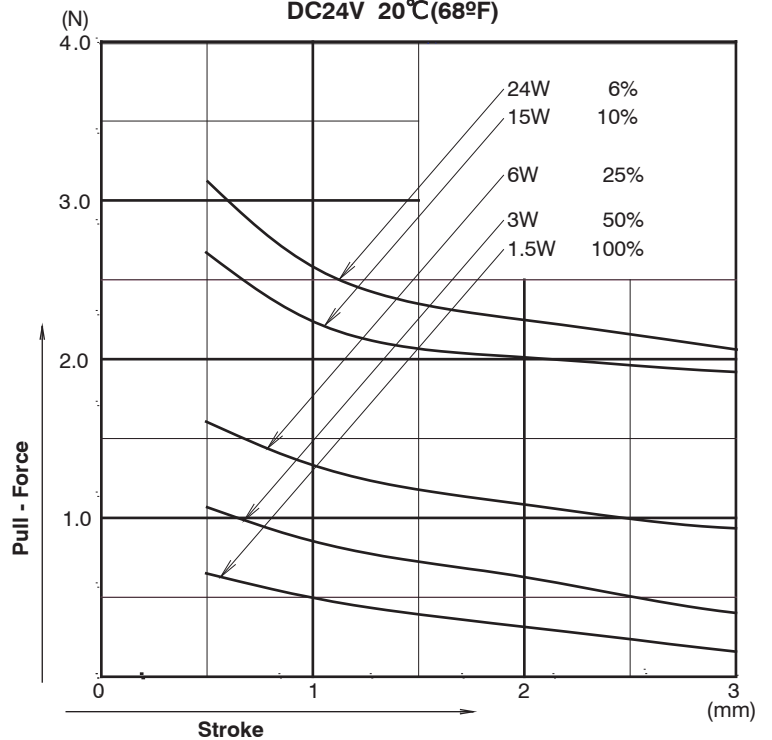
## Duty Cycle

Insulation Class A 105°C(221°F)

Part Number	Coil	Rated	Rated	Rated
	Resistance	DC6V	DC12V	DC24V
CA04220240	24 Ohms	100%	25%	6%
CA04220380	38 Ohms	-	40%	10%
CA04220960	96 Ohms	-	100%	25%
CA04221920	192 Ohms	-	-	50%
CA04223840	384 Ohms	-	-	100%

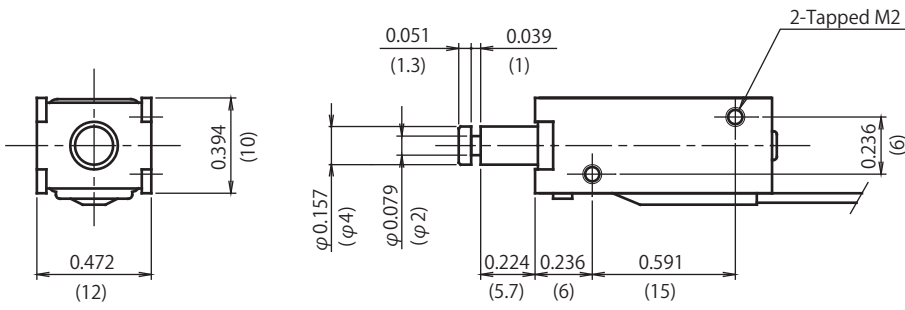
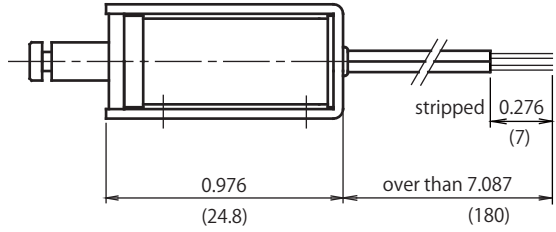
## Graph Force - Stroke

DC24V 20°C(68°F)



# CA0425

DIMENSIONS ARE  $\frac{\text{INCHES}}{\text{MILLIMETERS}}$



Adsorbed position

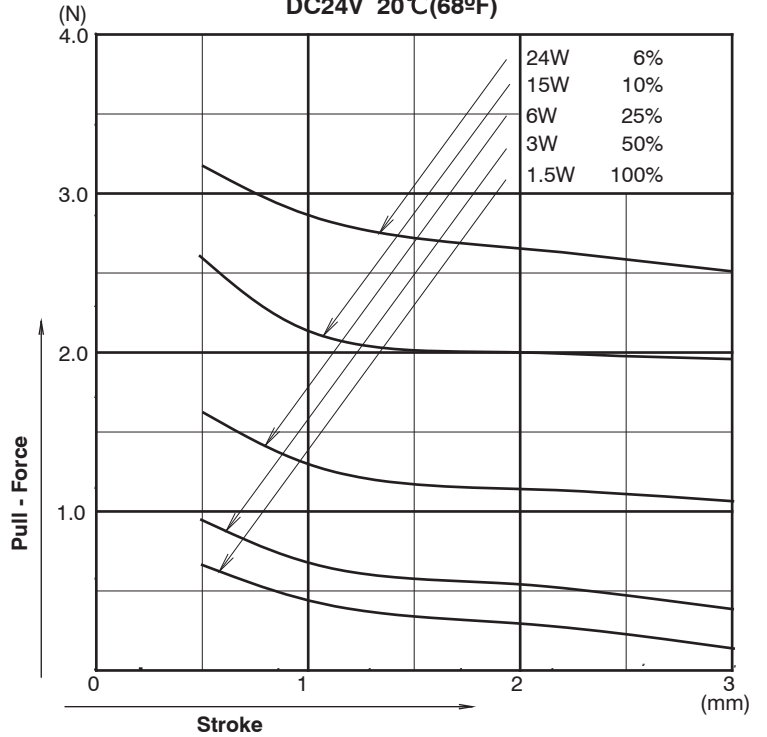
## Duty Cycle

Insulation Class A 105°C(221°F)

Part Number	Coil	Rated	Rated	Rated
	Resistance	DC6V	DC12V	DC24V
CA04250240	24 Ohms	100%	25%	6%
CA04250380	38 Ohms	-	40%	10%
CA04250960	96 Ohms	-	100%	25%
CA04251920	192 Ohms	-	-	50%
CA04253840	384 Ohms	-	-	100%

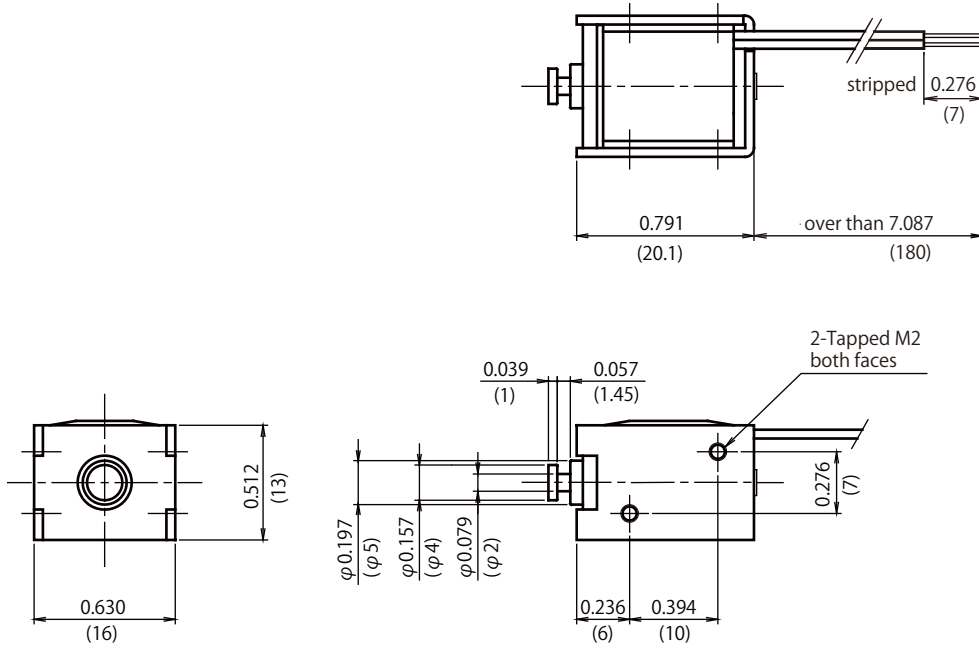
## Graph Force - Stroke

DC24V 20°C(68°F)



# CA0520

DIMENSIONS ARE  $\frac{\text{INCHES}}{\text{MILLIMETERS}}$



Adsorbed position

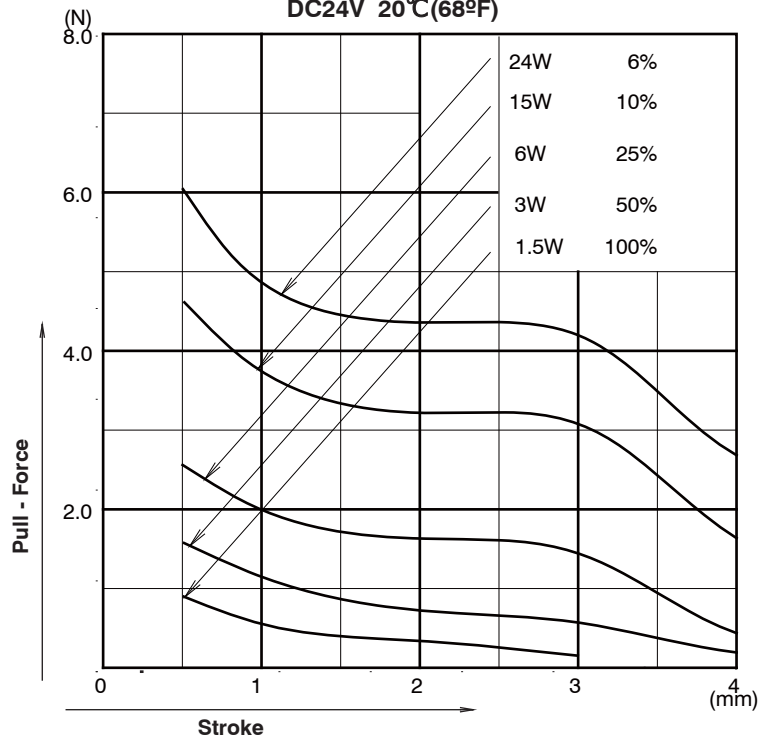
## Duty Cycle

Insulation Class A 105°C(221°F)

Part Number	Coil	Rated	Rated	Rated
	Resistance	DC6V	DC12V	DC24V
CA05200240	24 Ohms	100%	25%	6%
CA05200380	38 Ohms	-	40%	10%
CA05200960	96 Ohms	-	100%	25%
CA05201920	192 Ohms	-	-	50%
CA05203840	384 Ohms	-	-	100%

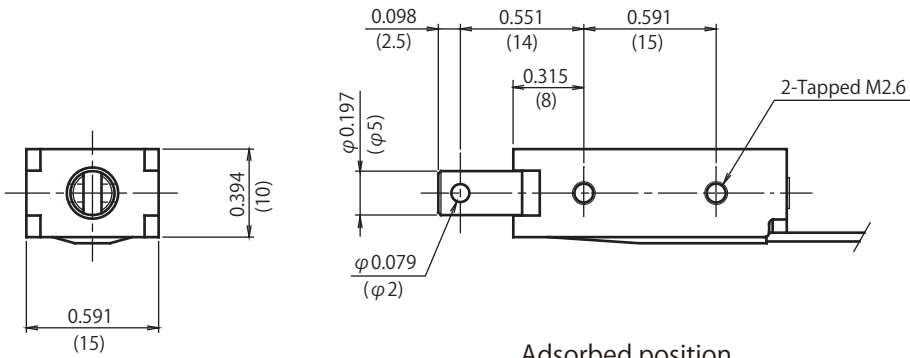
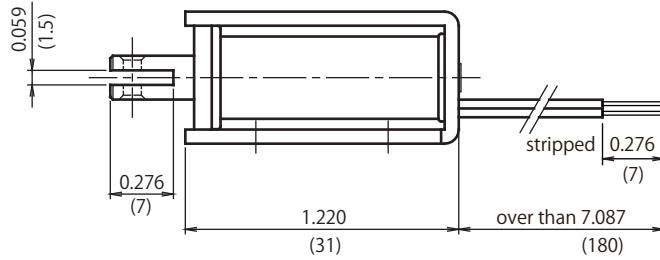
## Graph Force - Stroke

DC24V 20°C(68°F)



# CA0531

DIMENSIONS ARE  $\frac{\text{INCHES}}{\text{MILLIMETERS}}$



Adsorbed position

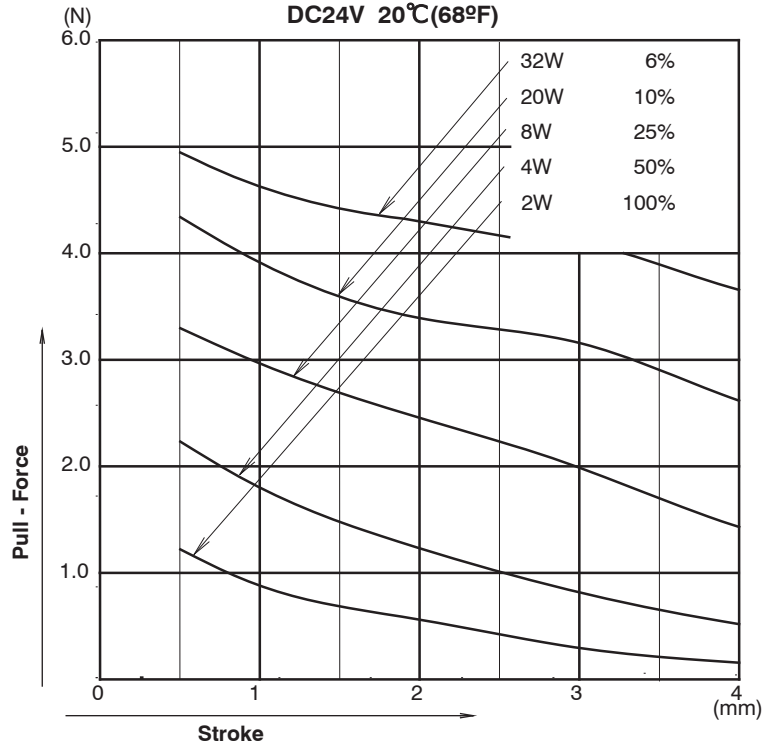
## Duty Cycle

Insulation Class A 105°C(221°F)

Part Number	Coil	Rated	Rated	Rated
	Resistance	DC6V	DC12V	DC24V
CA05310180	18 Ohms	100%	25%	6%
CA05310290	29 Ohms	-	40%	10%
CA05310720	72 Ohms	-	100%	25%
CA05311440	144 Ohms	-	-	50%
CA05312880	288 Ohms	-	-	100%

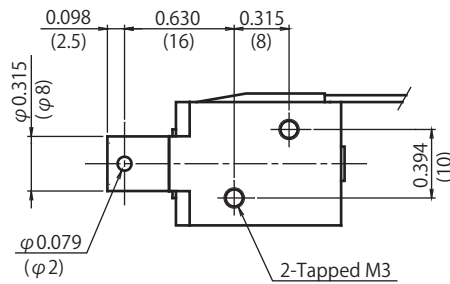
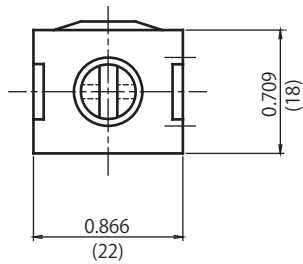
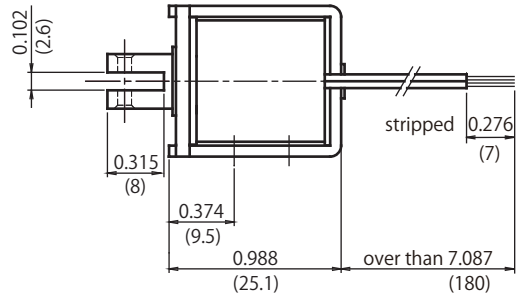
## Graph Force - Stroke

DC24V 20°C(68°F)



# CA0625

DIMENSIONS ARE  $\frac{\text{INCHES}}{\text{MILLIMETERS}}$



Adsorbed position

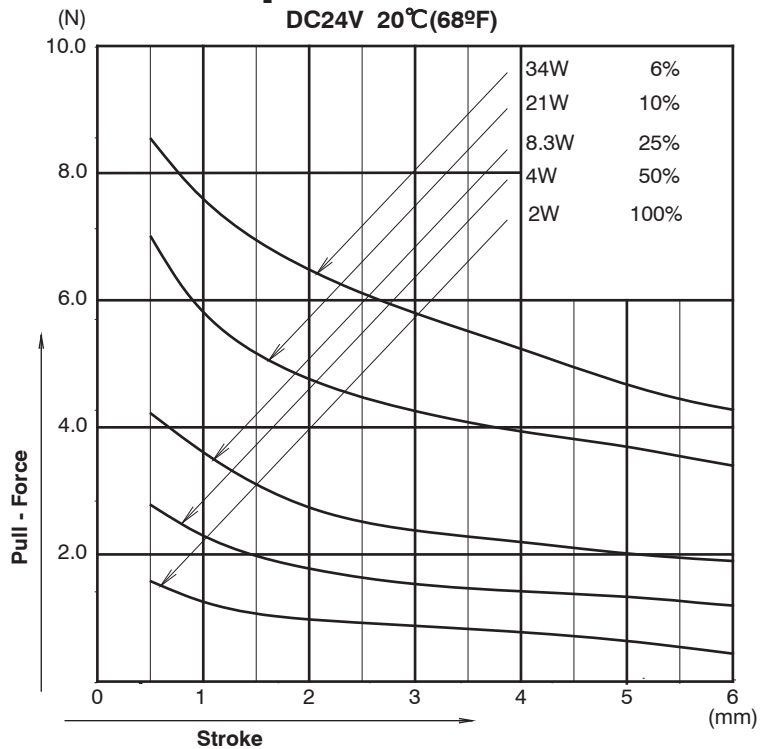
## Duty Cycle

Insulation Class A 105°C(221°F)

Part Number	Coil	Rated	Rated	Rated
	Resistance	DC6V	DC12V	DC24V
CA06250170A	17 Ohms	100%	25%	6%
CA06250270A	27 Ohms	-	40%	10%
CA06250690A	69 Ohms	-	100%	25%
CA06251370A	137 Ohms	-	-	50%
CA06252740A	274 Ohms	-	-	100%

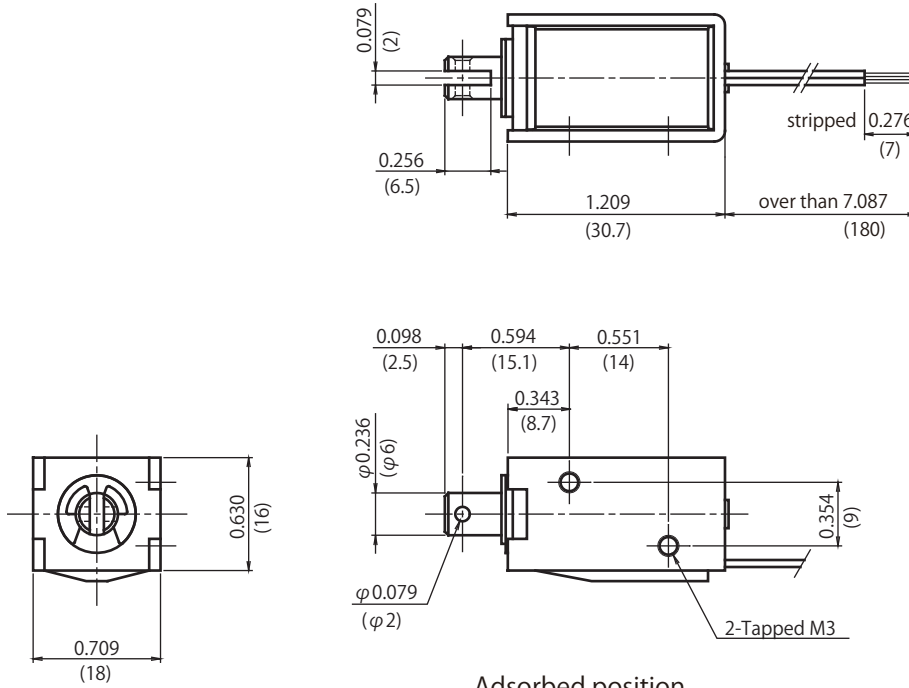
## Graph Force - Stroke

DC24V 20°C(68°F)



# CA0630

DIMENSIONS ARE  $\frac{\text{INCHES}}{\text{MILLIMETERS}}$



Adsorbed position

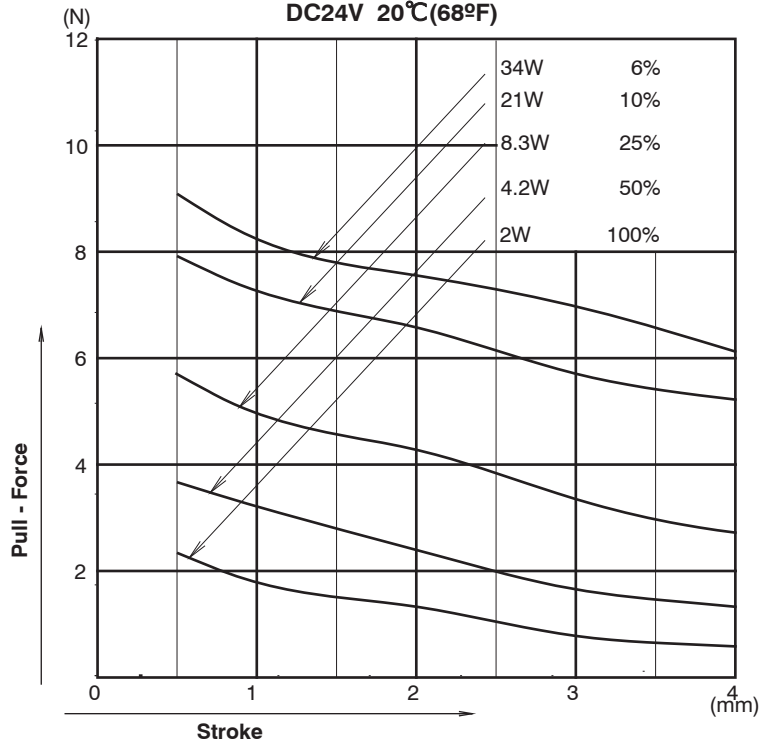
## Duty Cycle

Insulation Class A 105°C(221°F)

Part Number	Coil	Rated	Rated	Rated
	Resistance	DC6V	DC12V	DC24V
CA06300170	17 Ohms	100%	25%	6%
CA06300270	27 Ohms	-	40%	10%
CA06300690	69 Ohms	-	100%	25%
CA06301370	137 Ohms	-	-	50%
CA06302740	274 Ohms	-	-	100%

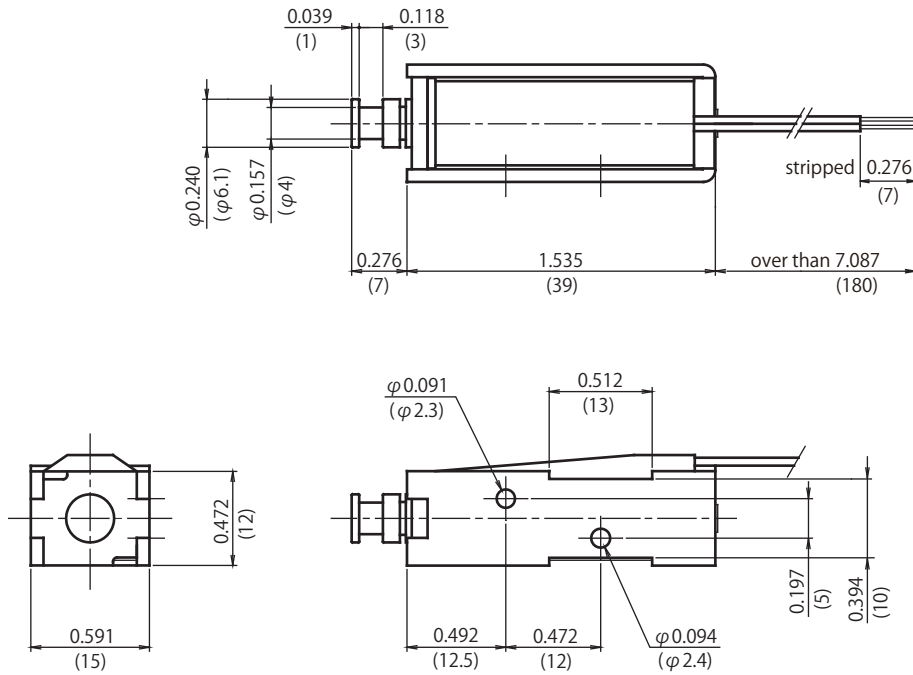
## Graph Force - Stroke

DC24V 20°C(68°F)



# CA0639

DIMENSIONS ARE  $\frac{\text{INCHES}}{\text{MILLIMETERS}}$



Adsorbed position

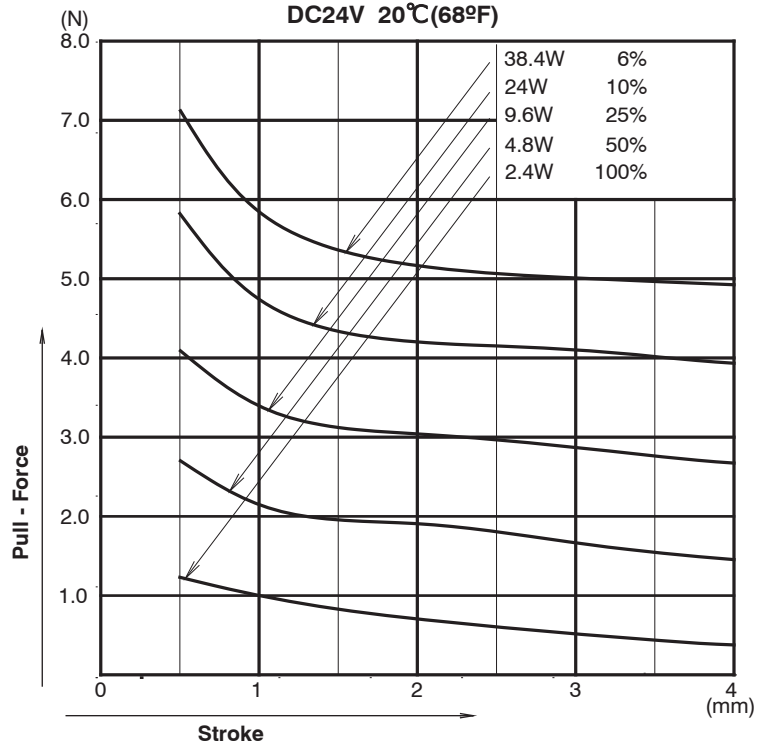
## Duty Cycle

Insulation Class A 105°C(221°F)

Part Number	Coil	Rated	Rated	Rated
	Resistance	DC6V	DC12V	DC24V
CA06390150	15 Ohms	100%	25%	6%
CA06390240	24 Ohms	-	40%	10%
CA06390600	60 Ohms	-	100%	25%
CA06391200	120 Ohms	-	-	50%
CA06392400	240 Ohms	-	-	100%

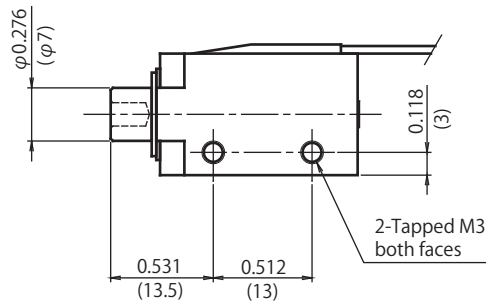
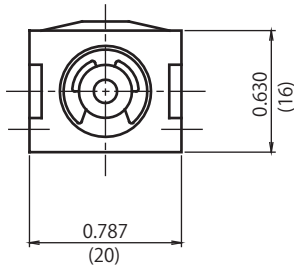
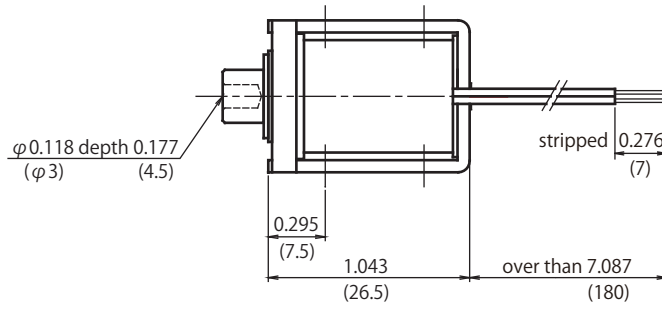
## Graph Force - Stroke

DC24V 20°C(68°F)



# CA0726

DIMENSIONS ARE  $\frac{\text{INCHES}}{\text{MILLIMETERS}}$



Adsorbed position

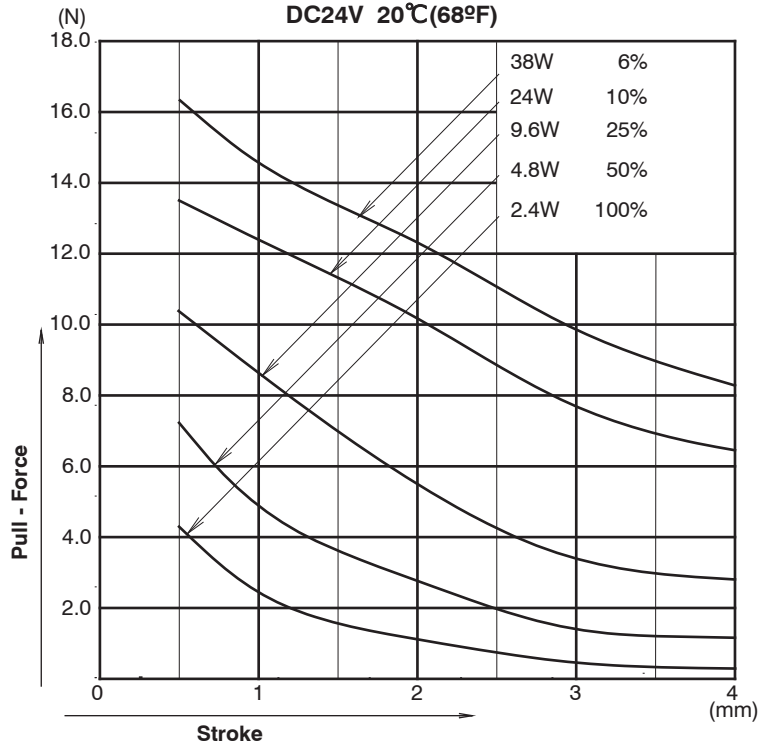
## Duty Cycle

Insulation Class A 105°C(221°F)

Part Number	Coil	Rated	Rated	Rated
	Resistance	DC6V	DC12V	DC24V
CA07260150	15 Ohms	100%	25%	6%
CA07260240	24 Ohms	-	40%	10%
CA07260600	60 Ohms	-	100%	25%
CA07261200	120 Ohms	-	-	50%
CA07262400	240 Ohms	-	-	100%

## Graph Force - Stroke

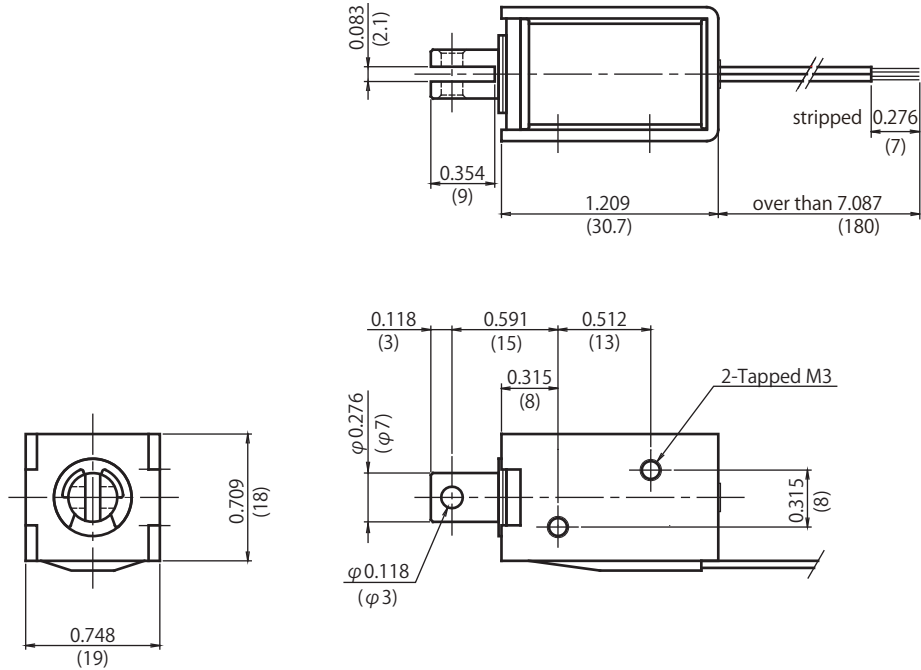
DC24V 20°C(68°F)





# CA0730

DIMENSIONS ARE  $\frac{\text{INCHES}}{\text{MILLIMETERS}}$



Adsorbed position

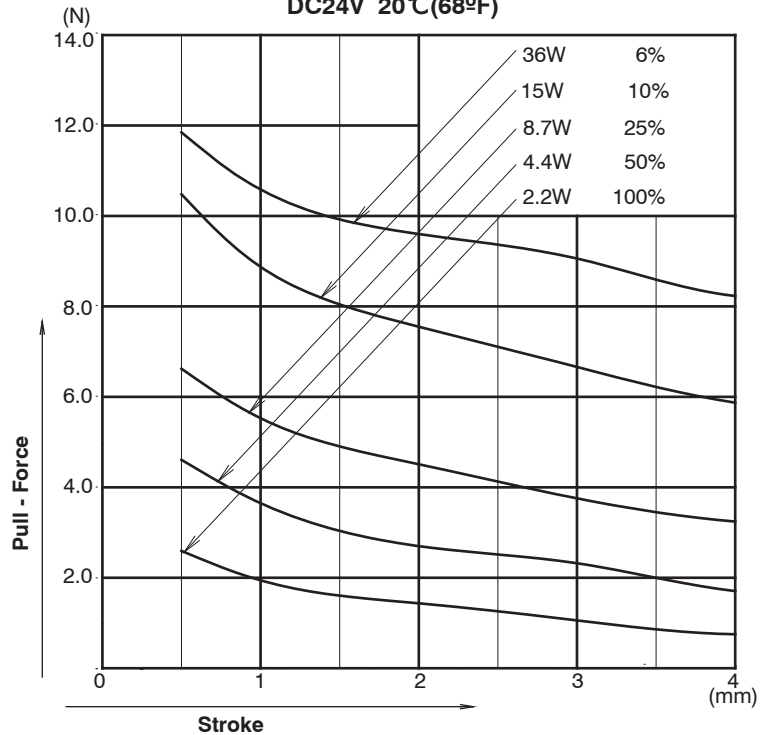
## Duty Cycle

Insulation Class A 105°C(221°F)

Part Number	Coil	Rated	Rated	Rated
	Resistance	DC6V	DC12V	DC24V
CA07300160	16 Ohms	100%	25%	6%
CA07300260	26 Ohms	-	40%	10%
CA07300660	66 Ohms	-	100%	25%
CA07301300	130 Ohms	-	-	50%
CA07302600	260 Ohms	-	-	100%

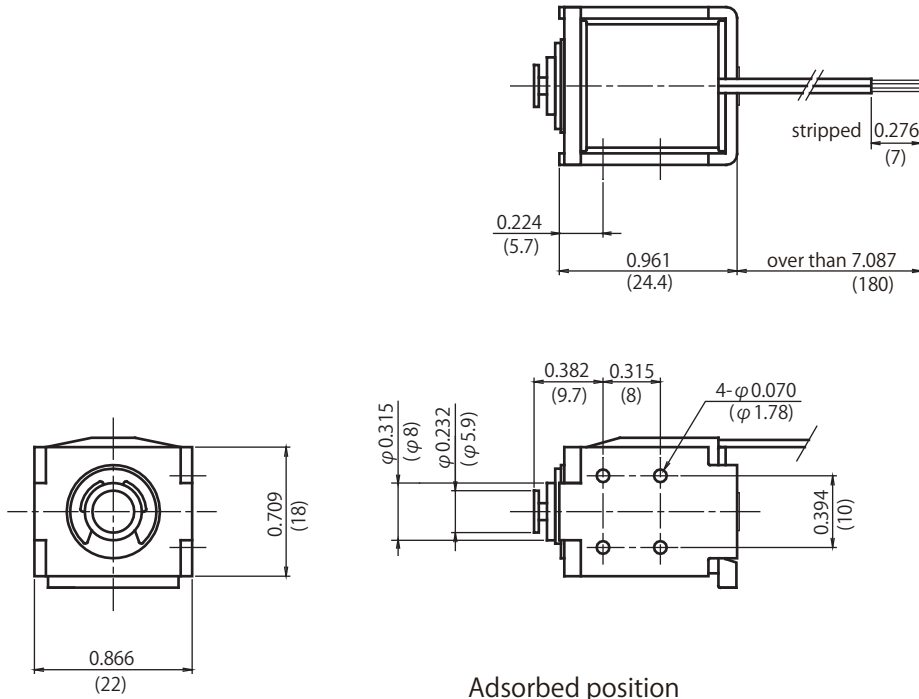
## Graph Force - Stroke

DC24V 20°C(68°F)



# CA0825

DIMENSIONS ARE  $\frac{\text{INCHES}}{\text{MILLIMETERS}}$



Adsorbed position

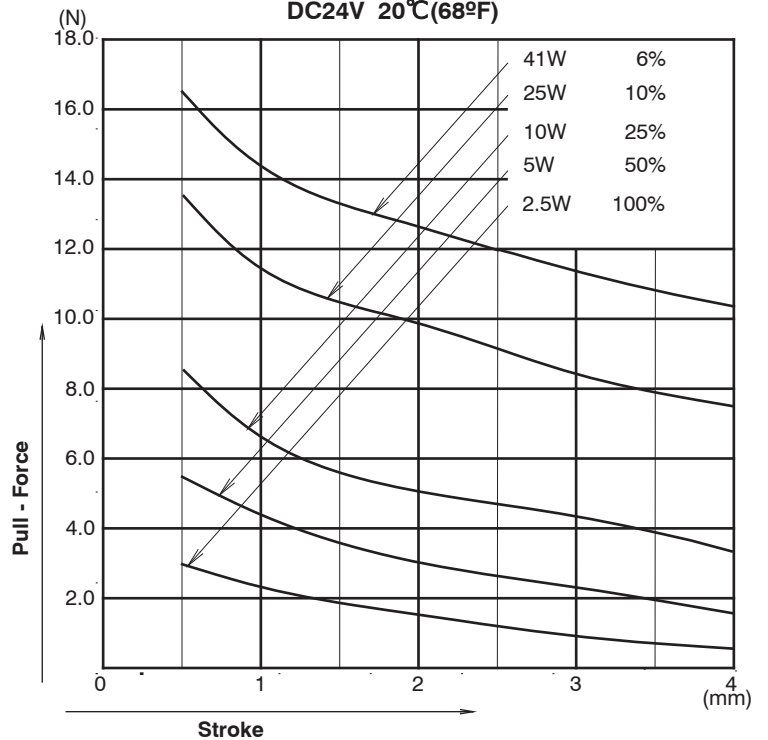
## Duty Cycle

Insulation Class A 105°C(221°F)

Part Number	Coil	Rated	Rated	Rated
	Resistance	DC6V	DC12V	DC24V
CA08250140	14 Ohms	100%	25%	6%
CA08250230	23 Ohms	-	40%	10%
CA08250580	58 Ohms	-	100%	25%
CA08251150	115 Ohms	-	-	50%
CA08252300	230 Ohms	-	-	100%

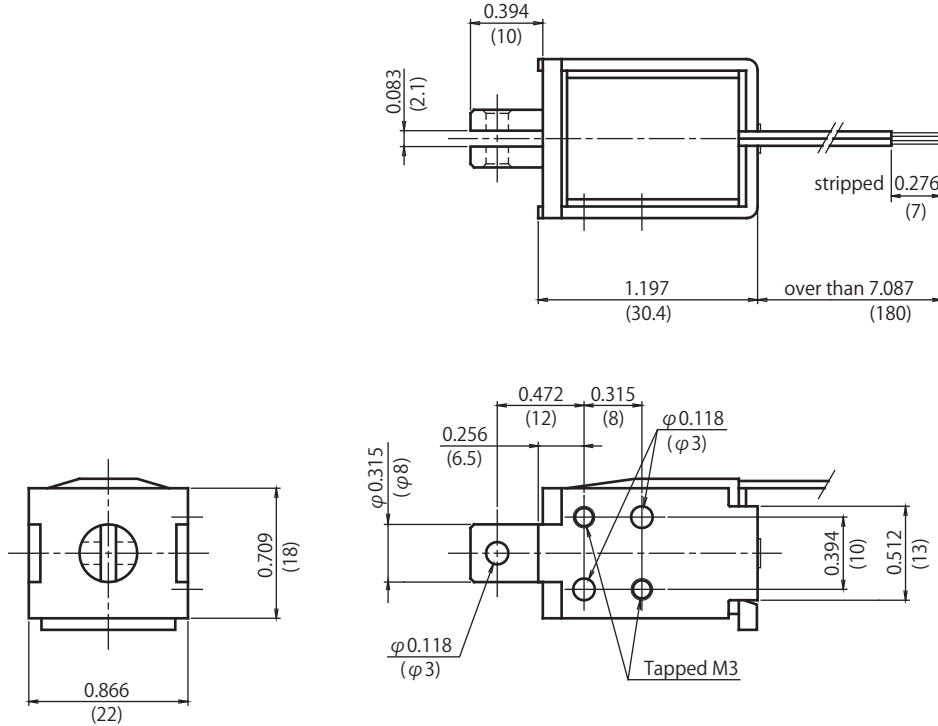
## Graph Force - Stroke

DC24V 20°C(68°F)



# CA0830

DIMENSIONS ARE  $\frac{\text{INCHES}}{\text{MILLIMETERS}}$



Adsorbed position

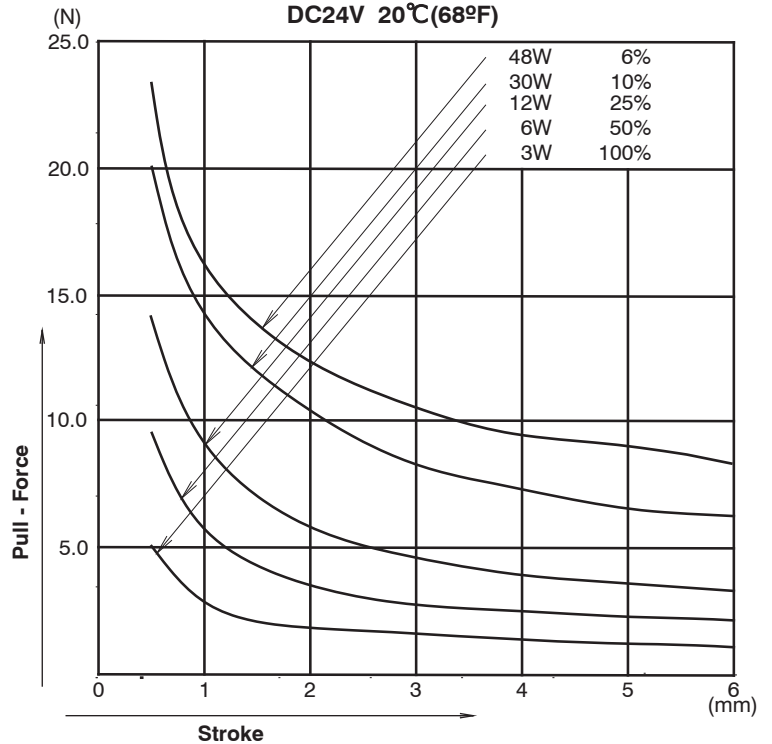
## Duty Cycle

Insulation Class A 105°C(221°F)

Part Number	Coil	Rated	Rated	Rated
	Resistance	DC6V	DC12V	DC24V
CA08300120	12 Ohms	100%	25%	6%
CA08300190	19 Ohms	-	40%	10%
CA08300480	48 Ohms	-	100%	25%
CA08300900	90 Ohms	-	-	50%
CA08301920	192 Ohms	-	-	100%

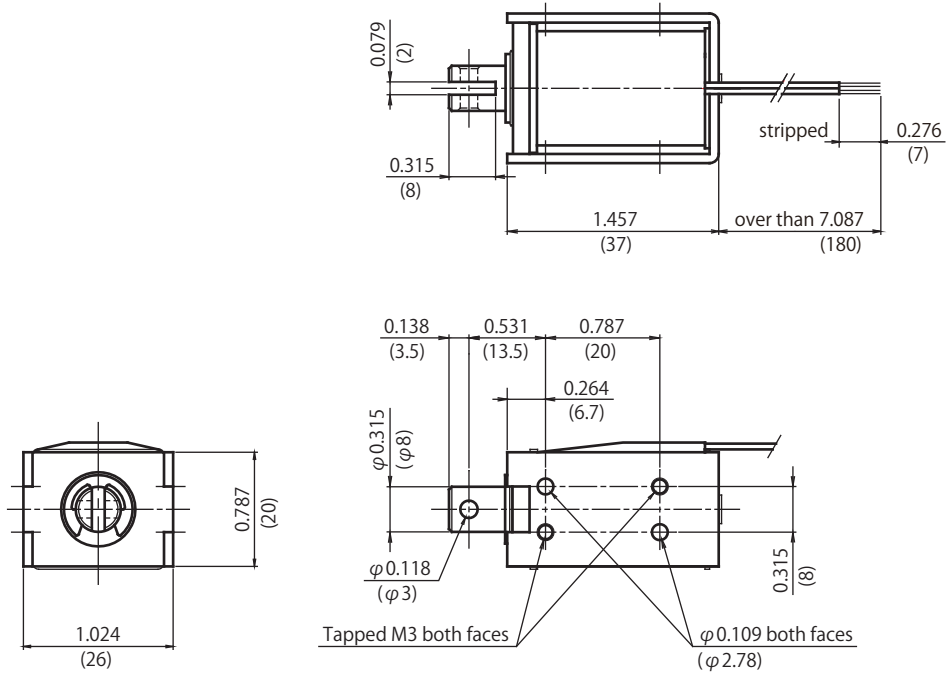
## Graph Force - Stroke

DC24V 20°C(68°F)



# CA0837

DIMENSIONS ARE  $\frac{\text{INCHES}}{\text{MILLIMETERS}}$



Adsorbed position

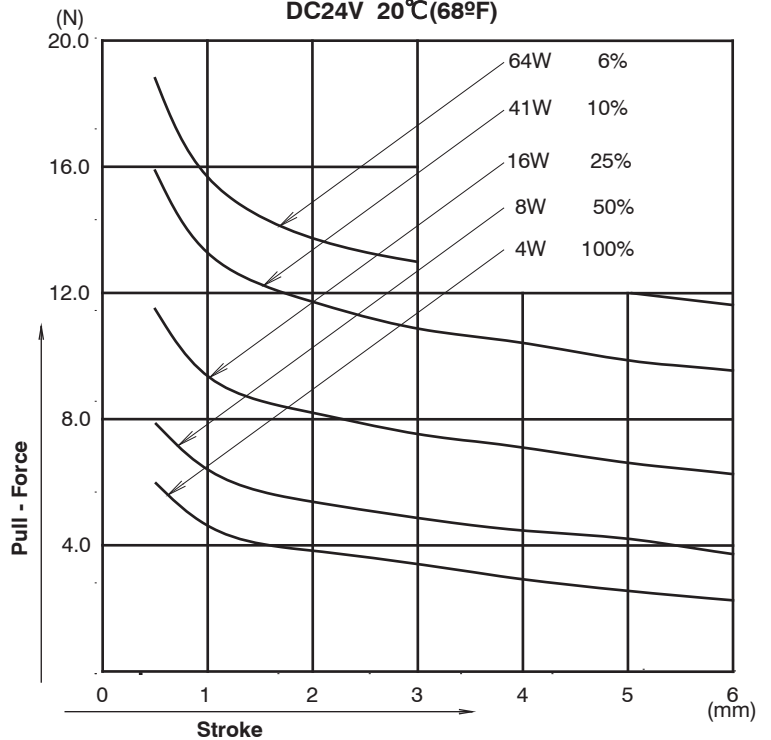
## Duty Cycle

Insulation Class A 105°C(221°F)

Part Number	Coil	Rated	Rated	Rated
	Resistance	DC6V	DC12V	DC24V
CA08370090	9 Ohms	100%	25%	6%
CA08370140	14 Ohms	-	40%	10%
CA08370360	36 Ohms	-	100%	25%
CA08370720	72 Ohms	-	-	50%
CA08371440	144 Ohms	-	-	100%

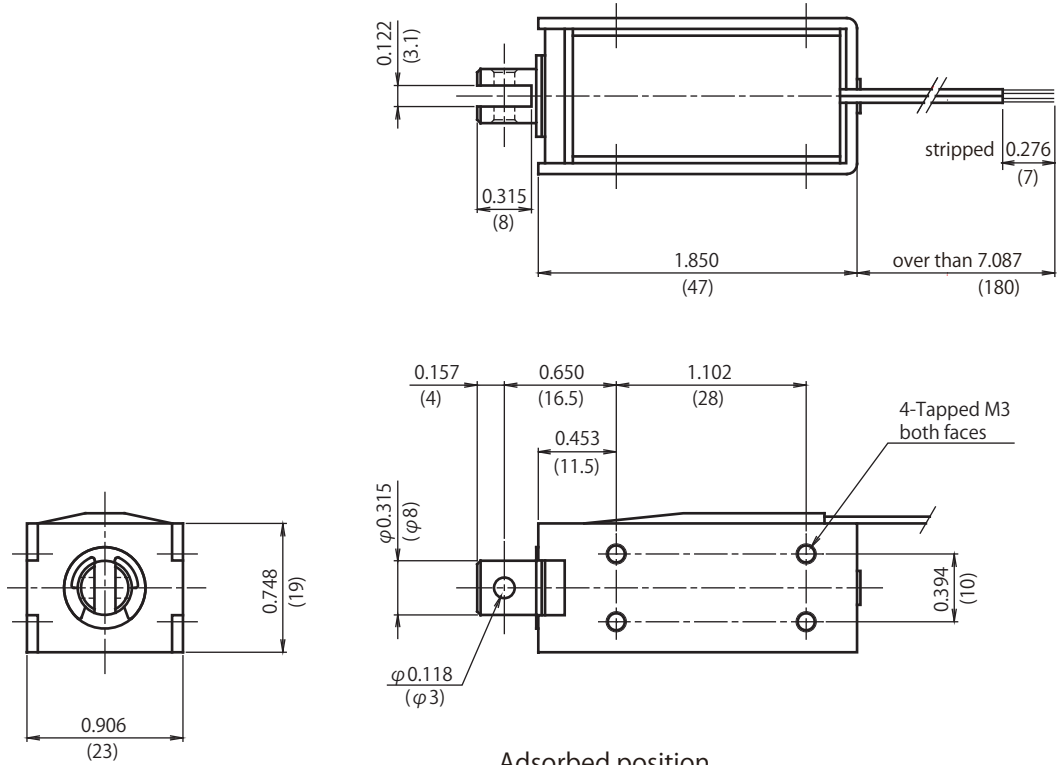
## Graph Force - Stroke

DC24V 20°C(68°F)



# CA0847

DIMENSIONS ARE  $\frac{\text{INCHES}}{\text{MILLIMETERS}}$



Adsorbed position

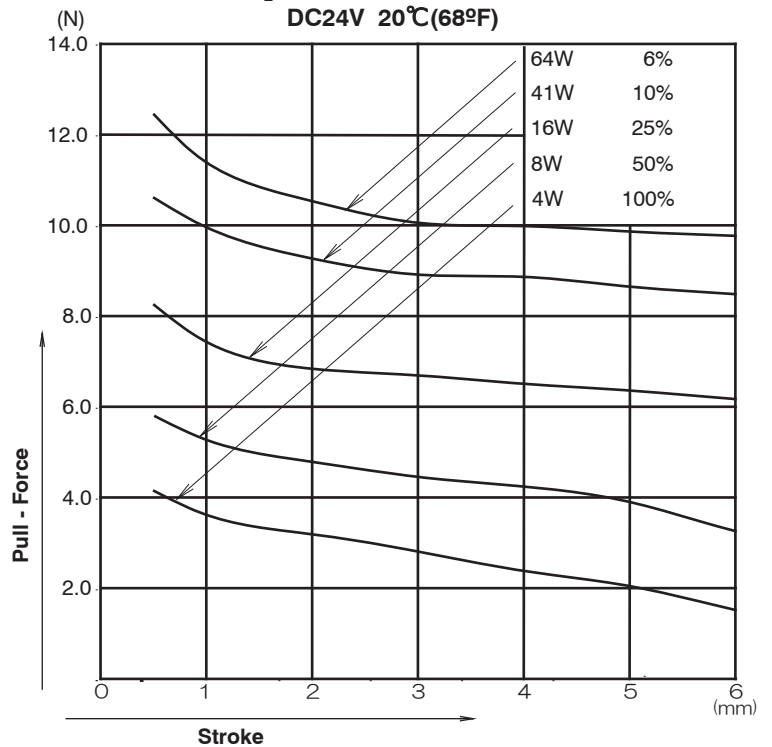
## Duty Cycle

Insulation Class A 105°C(221°F)

Part Number	Coil	Rated	Rated	Rated
	Resistance	DC6V	DC12V	DC24V
CA08470090	9 Ohms	100%	25%	6%
CA08470140	14 Ohms	-	40%	10%
CA08470360	36 Ohms	-	100%	25%
CA08470720	72 Ohms	-	-	50%
CA08471440	144 Ohms	-	-	100%

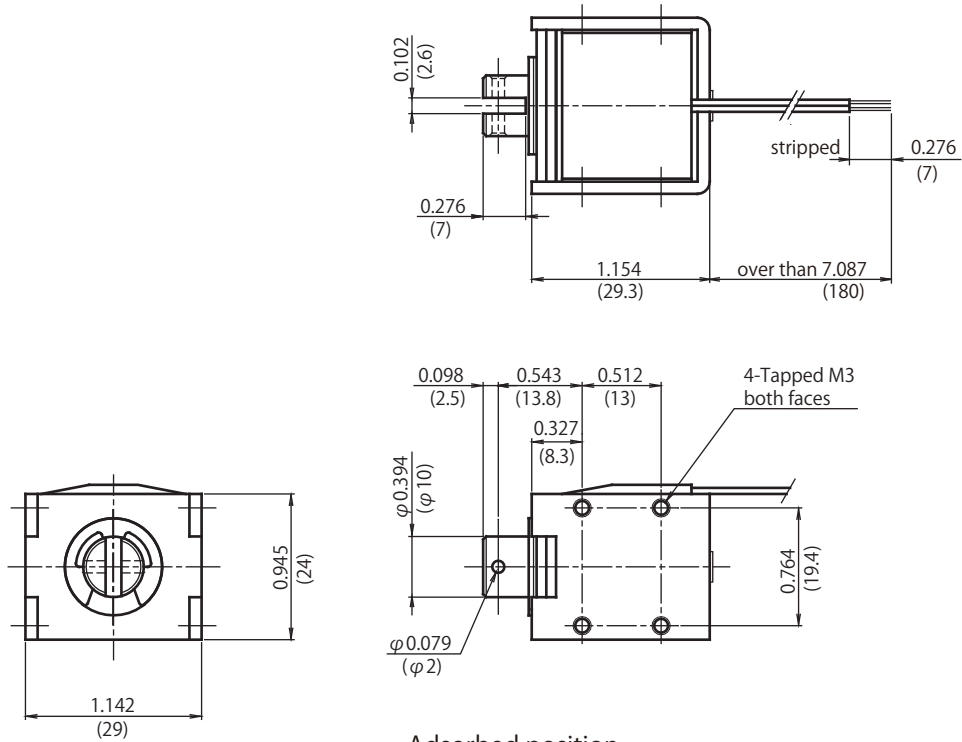
## Graph Force - Stroke

DC24V 20°C(68°F)



# CA1029

DIMENSIONS ARE  $\frac{\text{INCHES}}{\text{MILLIMETERS}}$



Adsorbed position

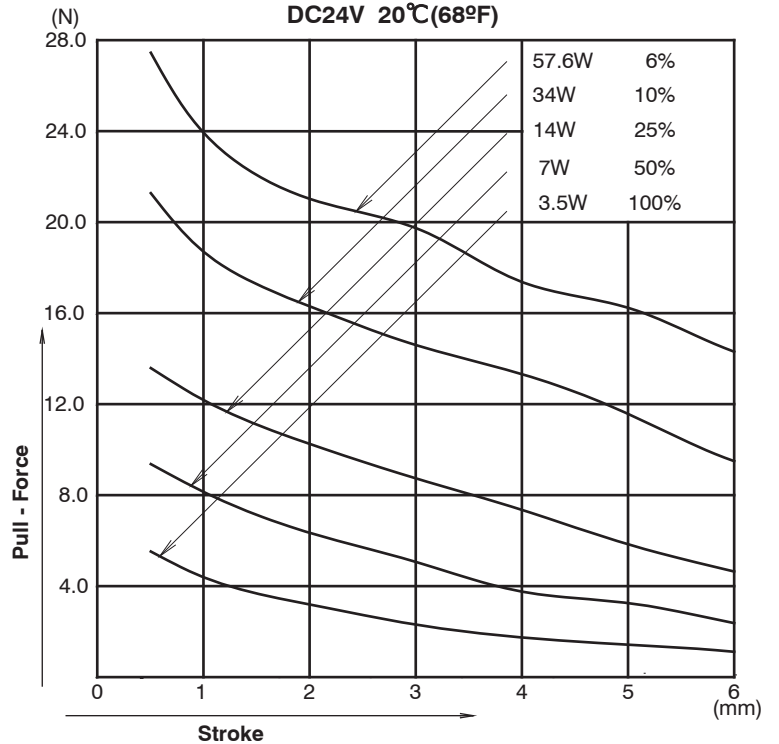
## Duty Cycle

Insulation Class A 105°C(221°F)

Part Number	Coil	Rated	Rated	Rated
	Resistance	DC6V	DC12V	DC24V
CA10290100	10 Ohms	100%	25%	6%
CA10290170	17 Ohms	-	40%	10%
CA10290410	41 Ohms	-	100%	25%
CA10290820	82 Ohms	-	-	50%
CA10291640	164 Ohms	-	-	100%

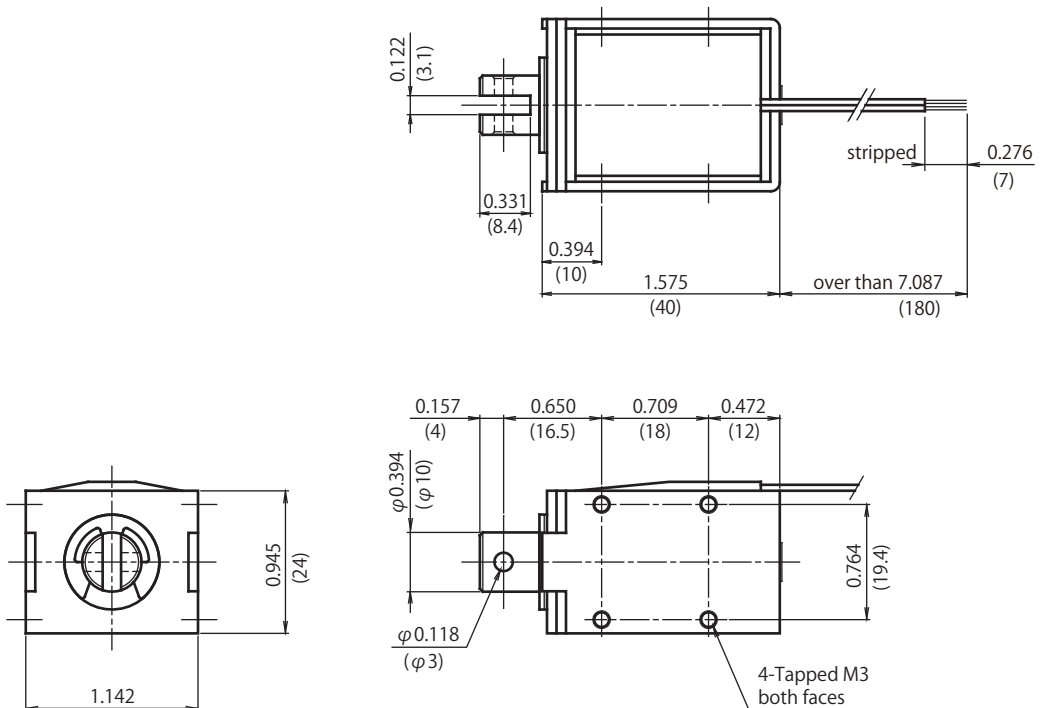
## Graph Force - Stroke

DC24V 20°C(68°F)



# CA1040

DIMENSIONS ARE  $\frac{\text{INCHES}}{\text{MILLIMETERS}}$



Adsorbed position

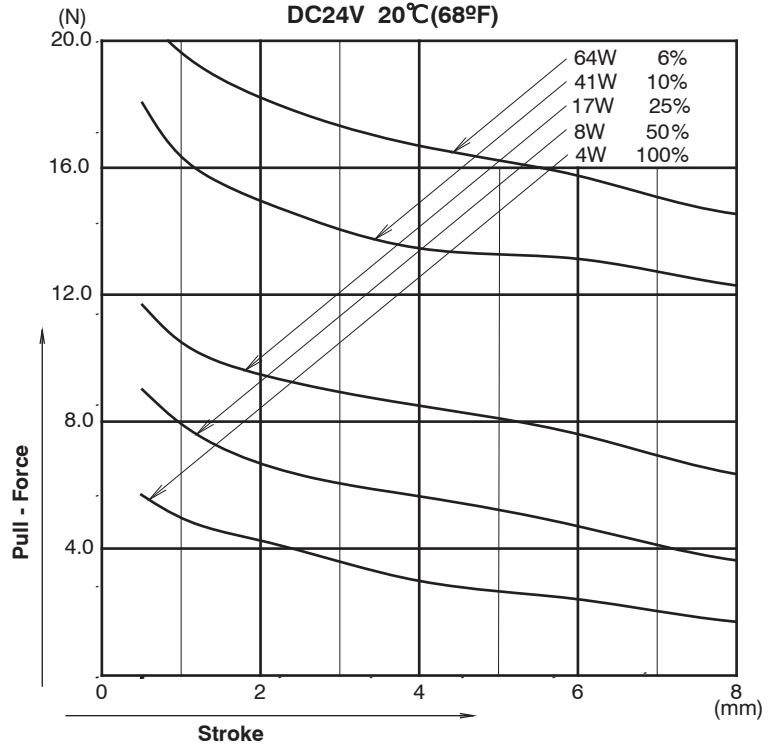
## Duty Cycle

Insulation Class A 105°C(221°F)

Part Number	Coil	Rated	Rated	Rated
	Resistance	DC6V	DC12V	DC24V
CA10400090	9 Ohms	100%	25%	6%
CA10400140	14 Ohms	-	40%	10%
CA10400340	34 Ohms	-	100%	25%
CA10400690	69 Ohms	-	-	50%
CA10401370	137 Ohms	-	-	100%

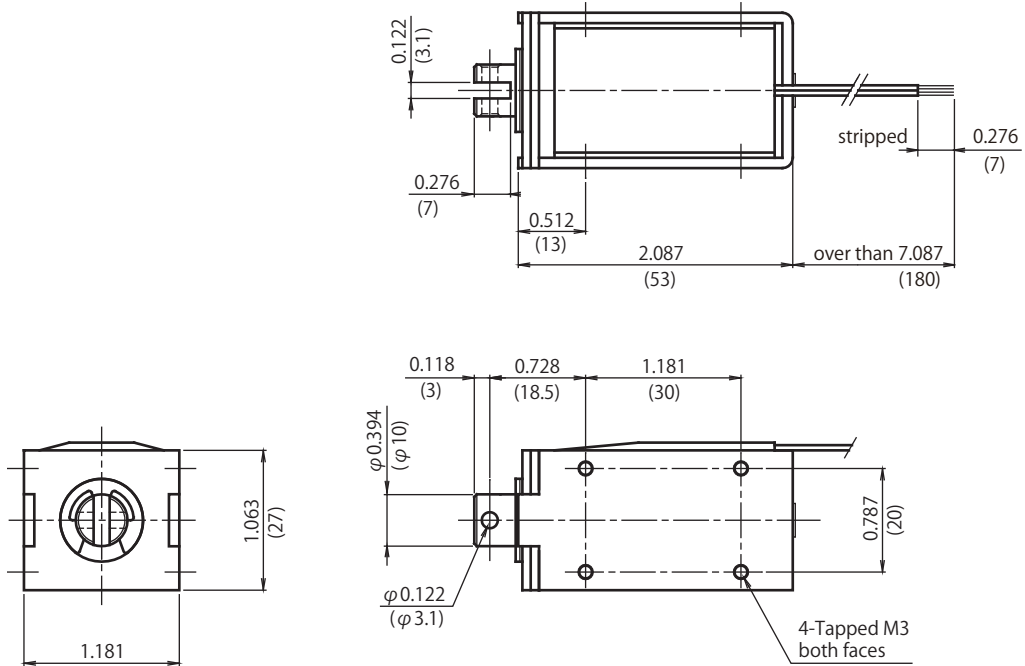
## Graph Force - Stroke

DC24V 20°C(68°F)



# CA1053

DIMENSIONS ARE  $\frac{\text{INCHES}}{\text{MILLIMETERS}}$



Adsorbed position

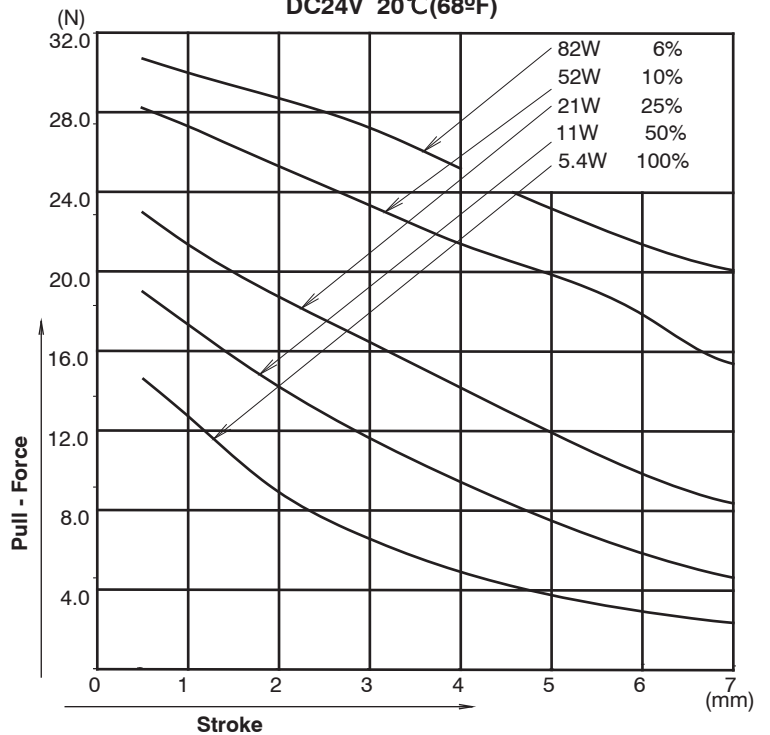
## Duty Cycle

Insulation Class A 105°C(221°F)

Part Number	Coil	Rated	Rated	Rated
	Resistance	DC6V	DC12V	DC24V
CA10530070	7 Ohms	100%	25%	6%
CA10530110	11 Ohms	-	40%	10%
CA10530270	27 Ohms	-	100%	25%
CA10530530	53 Ohms	-	-	50%
CA10401370	137 Ohms	-	-	100%

## Graph Force - Stroke

DC24V 20°C(68°F)



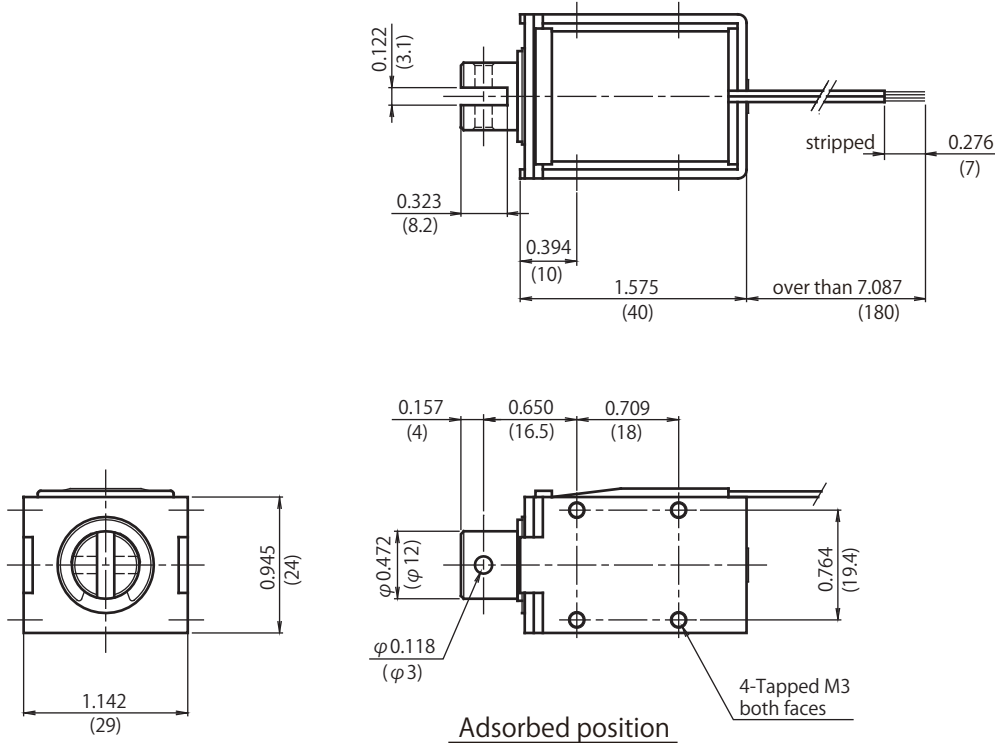






# CA1240

DIMENSIONS ARE  $\frac{\text{INCHES}}{\text{MILLIMETERS}}$



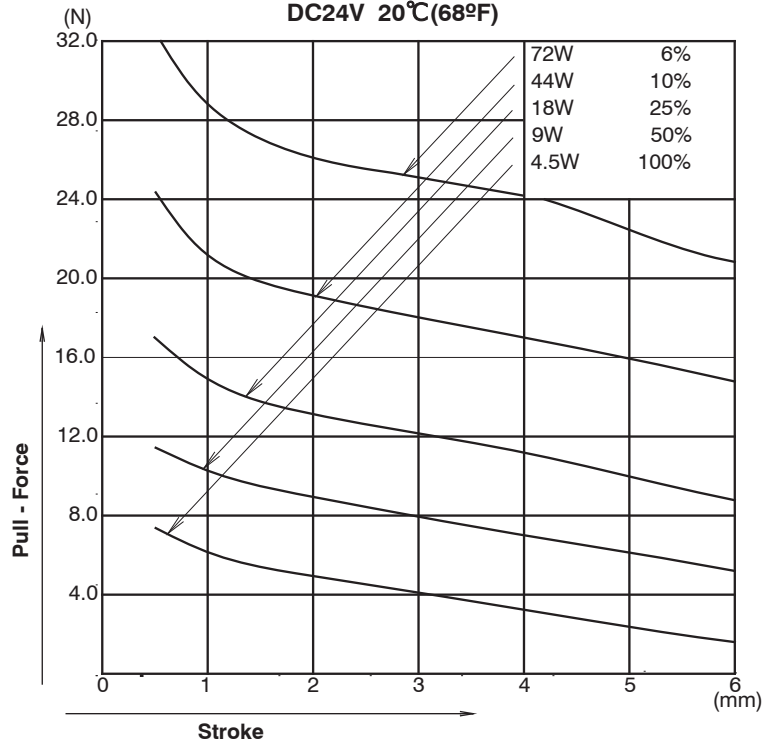
## Duty Cycle

Insulation Class A 105°C(221°F)

Part Number	Coil	Rated	Rated	Rated
	Resistance	DC6V	DC12V	DC24V
CA12400080	8 Ohms	100%	25%	6%
CA12400130	13 Ohms	-	40%	10%
CA12400320	32 Ohms	-	100%	25%
CA12400640	64 Ohms	-	-	50%
CA12401280	128 Ohms	-	-	100%

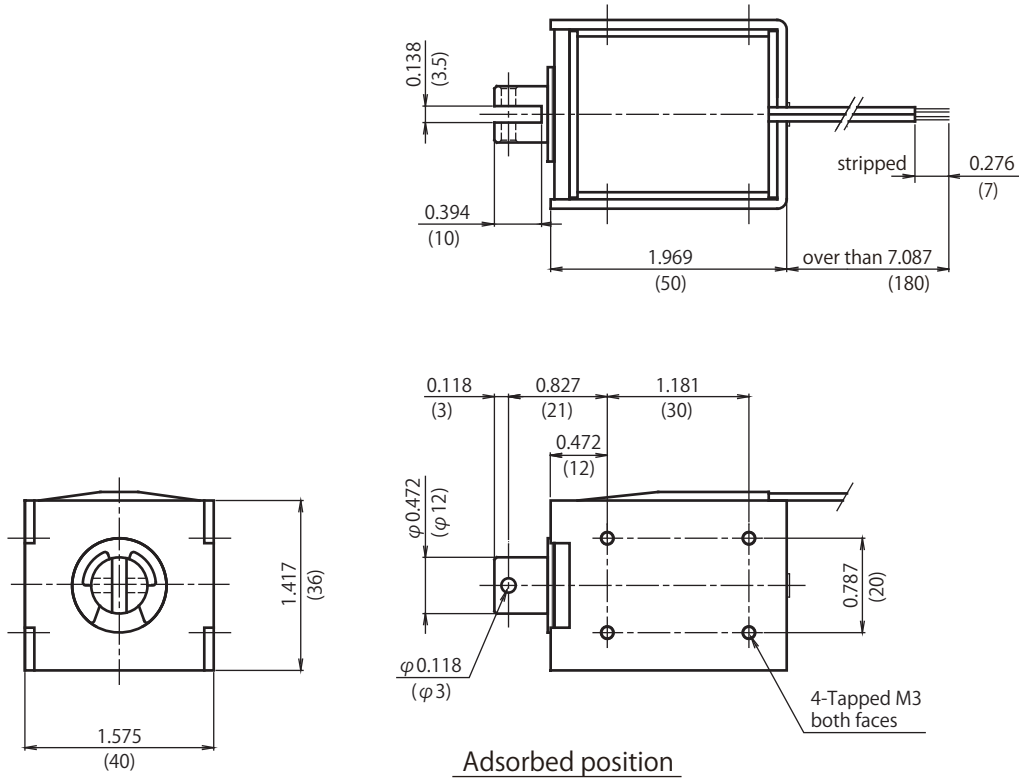
## Graph Force - Stroke

DC24V 20°C(68°F)



# CA1250

DIMENSIONS ARE  $\frac{\text{INCHES}}{\text{MILLIMETERS}}$



Adsorbed position

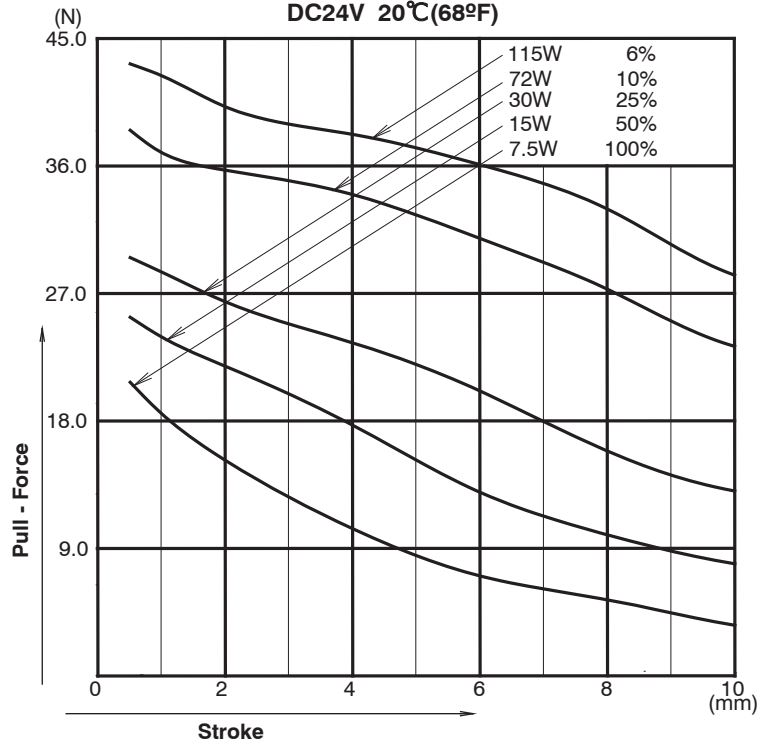
## Duty Cycle

Insulation Class A 105°C(221°F)

Part Number	Coil	Rated	Rated	Rated
	Resistance	DC6V	DC12V	DC24V
CA12500050	5 Ohms	100%	25%	6%
CA12500080	8 Ohms	-	40%	10%
CA12500190	19 Ohms	-	100%	25%
CA12500380	38 Ohms	-	-	50%
CA12500770	77 Ohms	-	-	100%

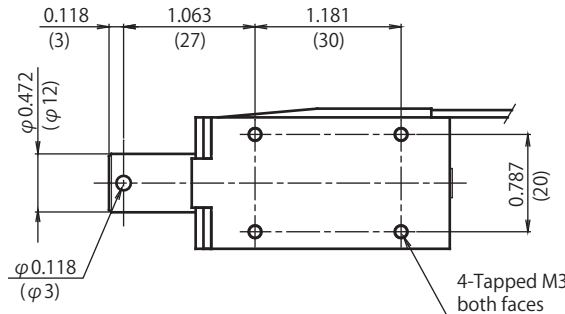
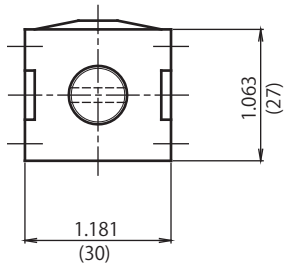
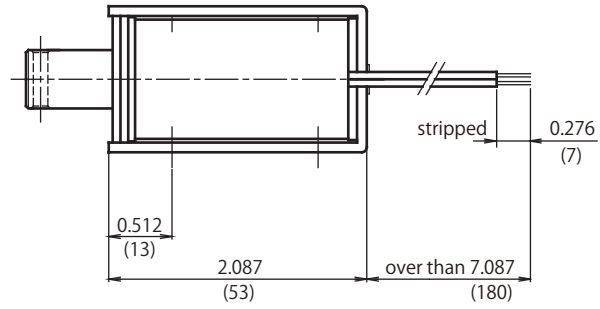
## Graph Force - Stroke

DC24V 20°C(68°F)



# CA1253

DIMENSIONS ARE  $\frac{\text{INCHES}}{\text{MILLIMETERS}}$



Adsorbed position

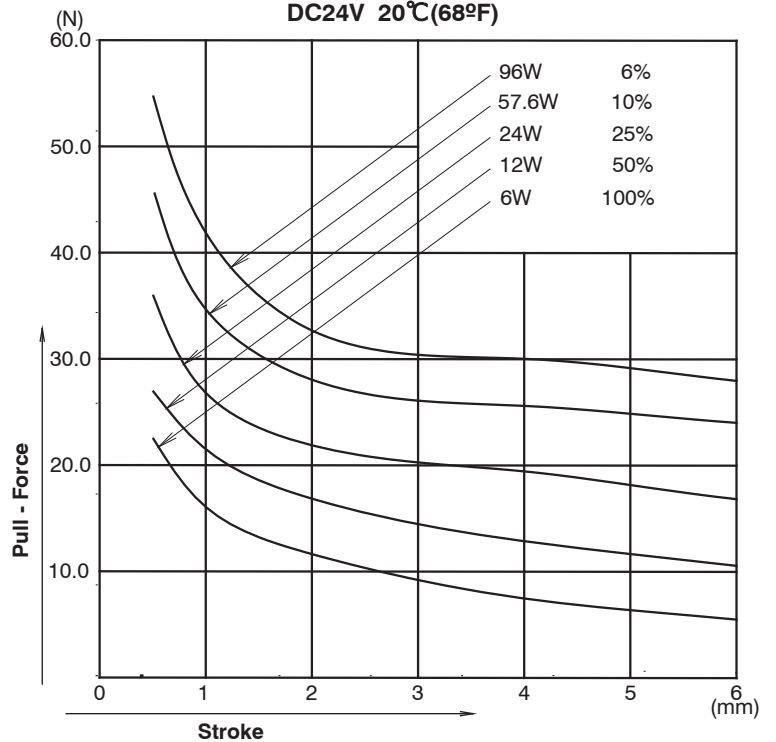
## Duty Cycle

Insulation Class A 105°C(221°F)

Part Number	Coil	Rated	Rated	Rated
	Resistance	DC6V	DC12V	DC24V
CA12530060	6 Ohms	100%	25%	6%
CA12530100	10 Ohms	-	40%	10%
CA12530240	24 Ohms	-	100%	25%
CA12530480	48 Ohms	-	-	50%
CA12530960	96 Ohms	-	-	100%

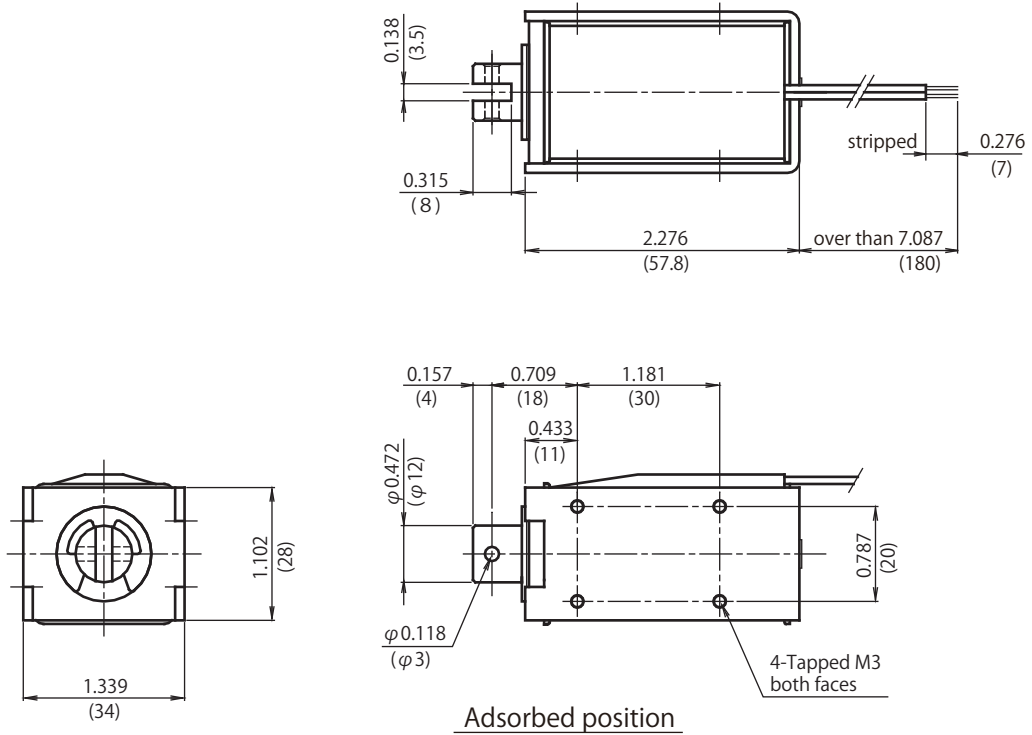
## Graph Force - Stroke

DC24V 20°C(68°F)



# CA1257

DIMENSIONS ARE  $\frac{\text{INCHES}}{\text{MILLIMETERS}}$



Adsorbed position

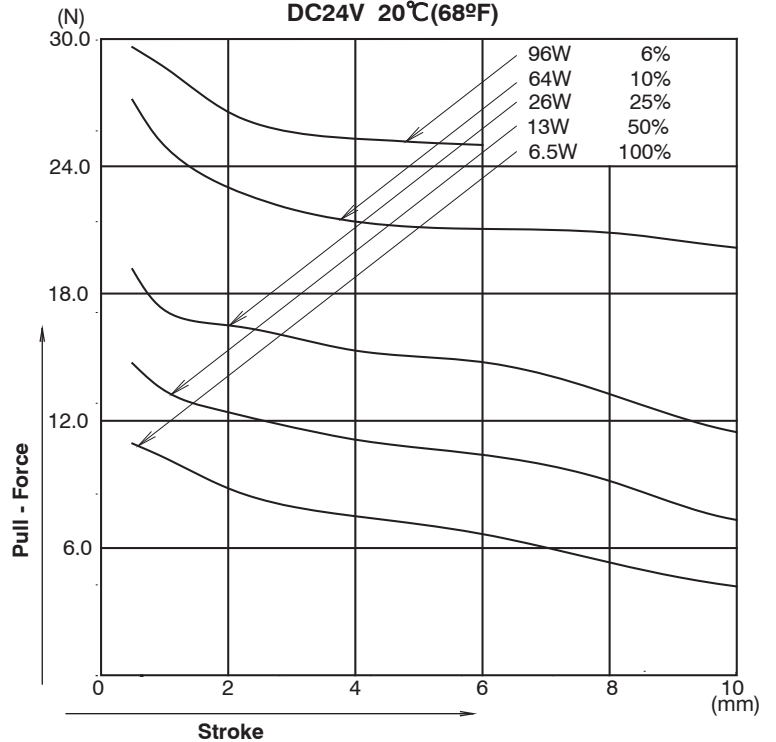
## Duty Cycle

Insulation Class A 105°C(221°F)

Part Number	Coil	Rated	Rated	Rated
	Resistance	DC6V	DC12V	DC24V
CA12570060	6 Ohms	100%	25%	6%
CA12570090	9 Ohms	-	40%	10%
CA12570220	22 Ohms	-	100%	25%
CA12570440	44 Ohms	-	-	50%
CA12570880	88 Ohms	-	-	100%

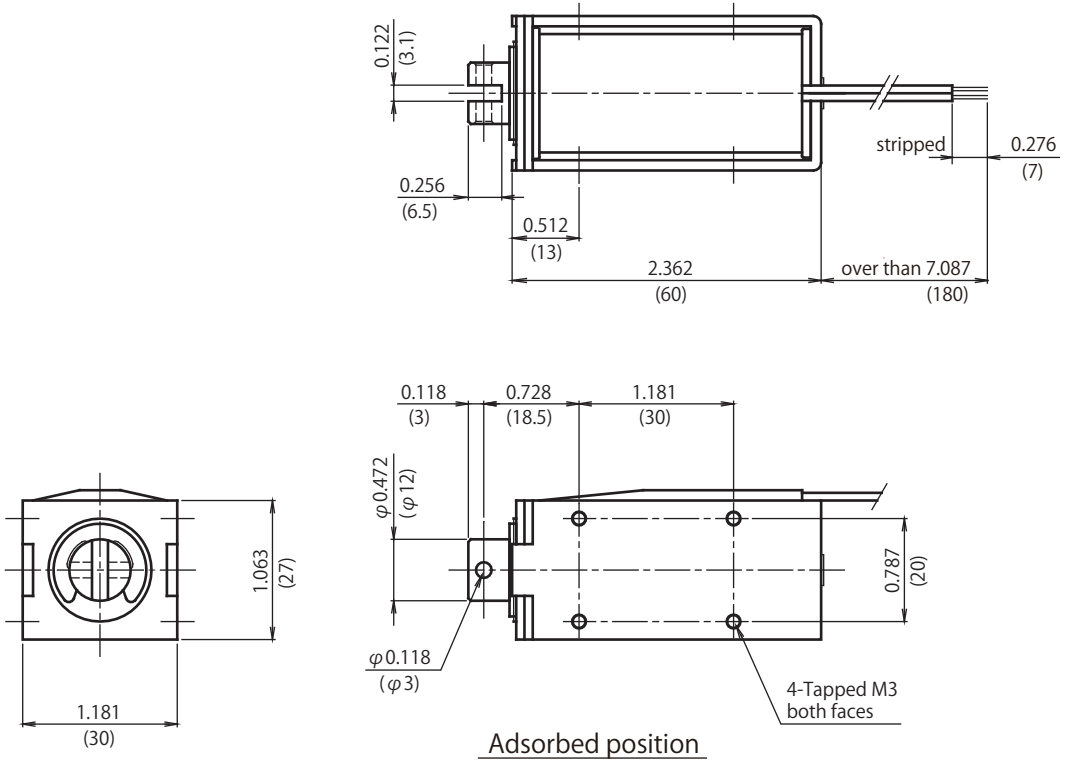
## Graph Force - Stroke

DC24V 20°C(68°F)



# CA1260

DIMENSIONS ARE  $\frac{\text{INCHES}}{\text{MILLIMETERS}}$



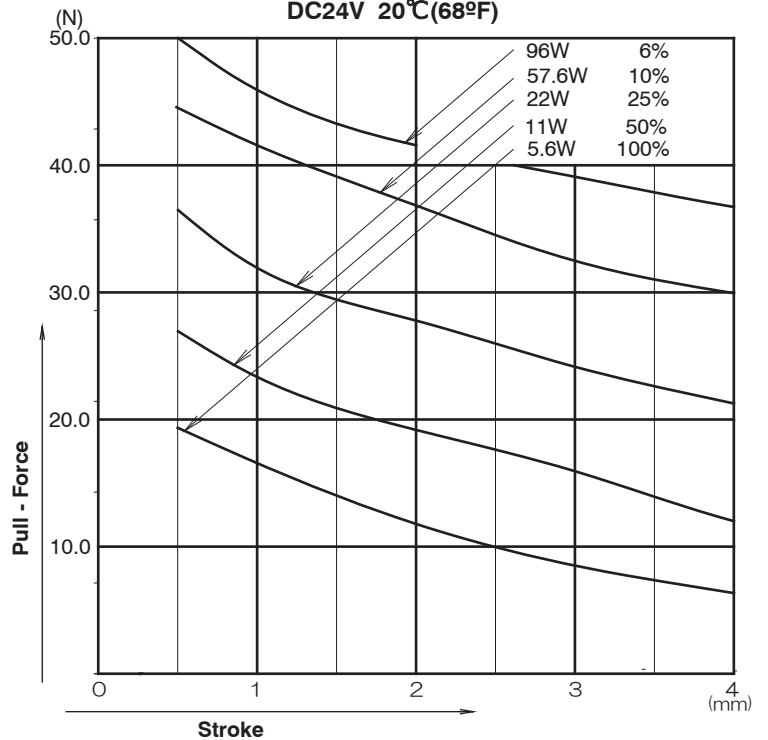
## Duty Cycle

Insulation Class A 105°C(221°F)

Part Number	Coil	Rated	Rated	Rated
	Resistance	DC6V	DC12V	DC24V
CA12600060	6 Ohms	100%	25%	6%
CA12600100	10 Ohms	-	40%	10%
CA12600260	26 Ohms	-	100%	25%
CA12600510	51 Ohms	-	-	50%
CA12601030	103 Ohms	-	-	100%

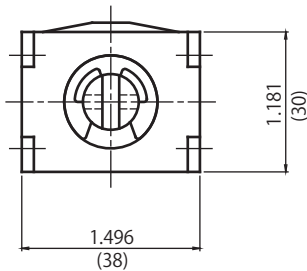
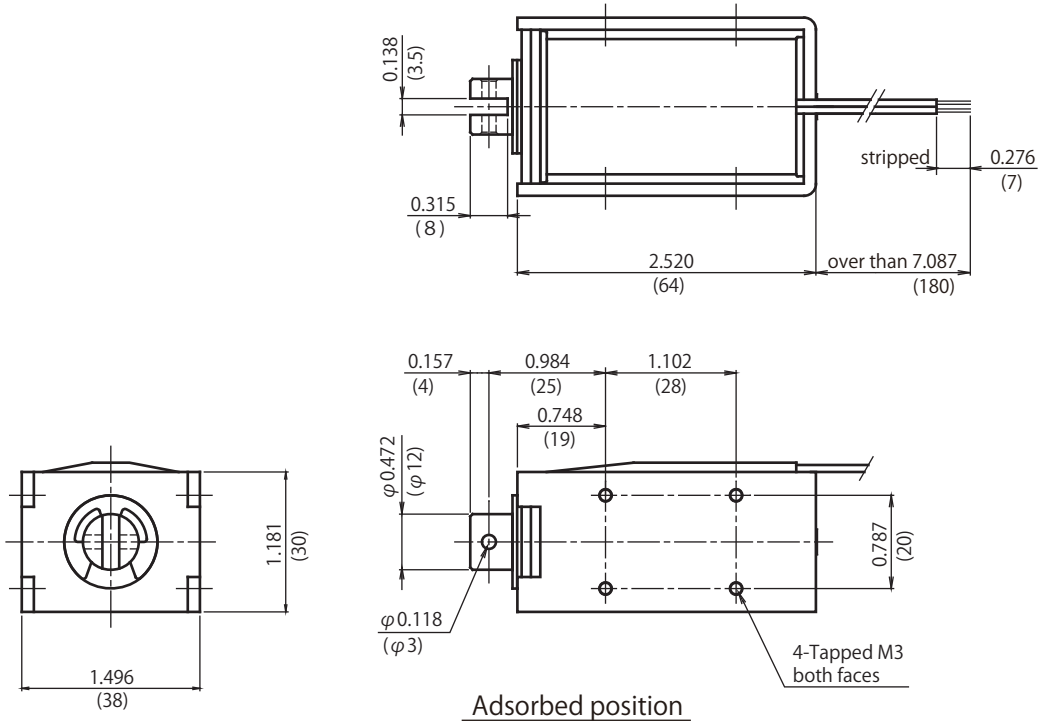
## Graph Force - Stroke

DC24V 20°C(68°F)



# CA1264

DIMENSIONS ARE  $\frac{\text{INCHES}}{\text{MILLIMETERS}}$



Adsorbed position

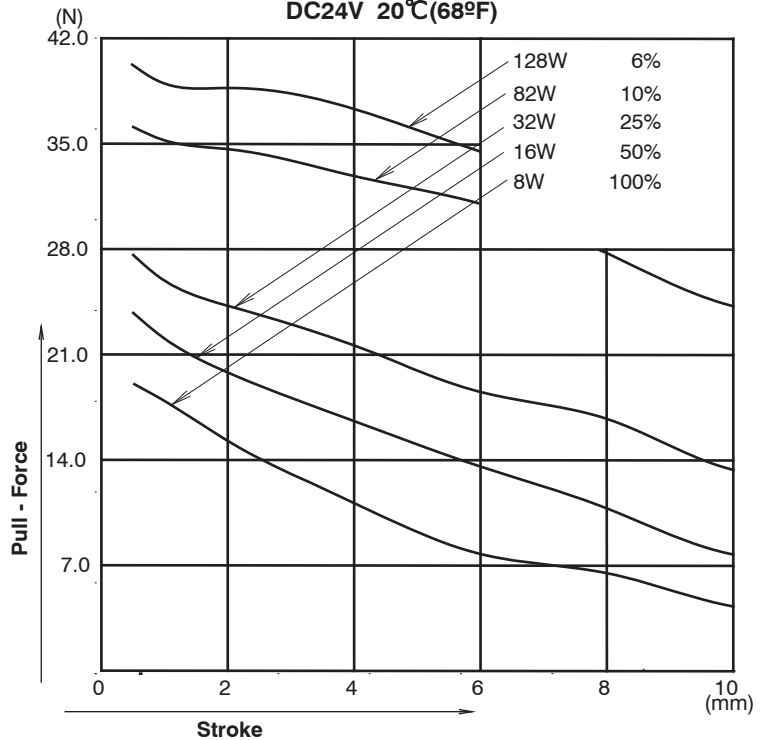
## Duty Cycle

Insulation Class A 105°C(221°F)

Part Number	Coil	Rated	Rated	Rated
	Resistance	DC6V	DC12V	DC24V
CA12640045	4.5 Ohms	100%	25%	6%
CA12640070	7 Ohms	-	40%	10%
CA12640180	18 Ohms	-	100%	25%
CA12640360	36 Ohms	-	-	50%
CA12640720	72 Ohms	-	-	100%

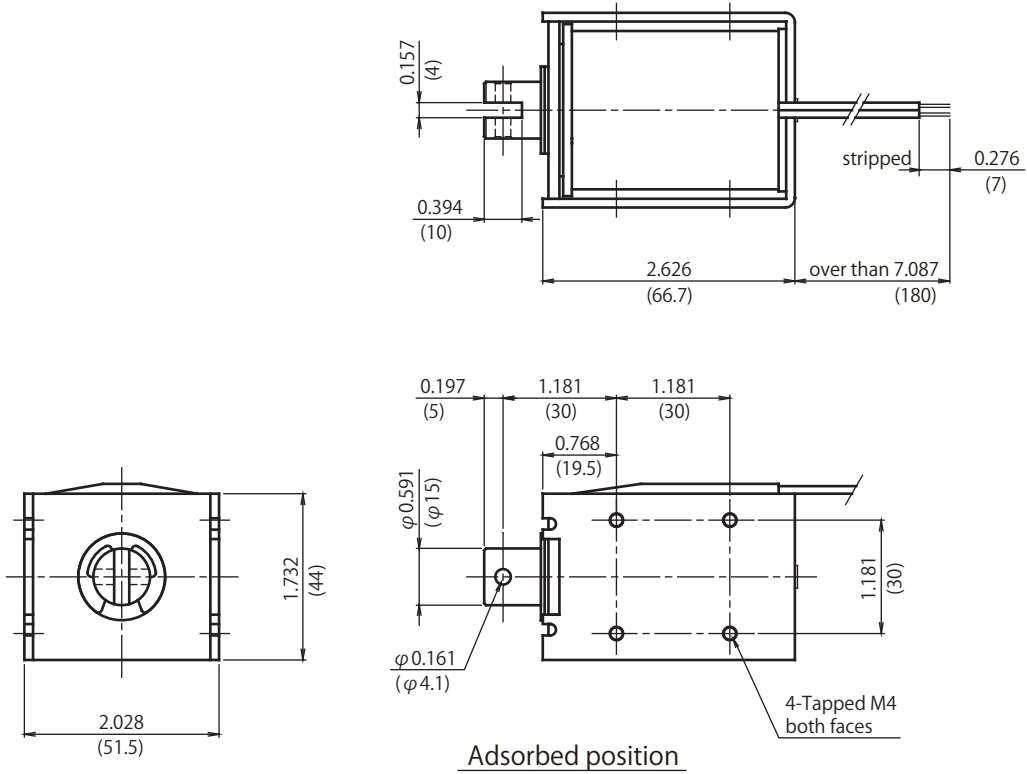
## Graph Force - Stroke

DC24V 20°C(68°F)



# CA1567

DIMENSIONS ARE  $\frac{\text{INCHES}}{\text{MILLIMETERS}}$



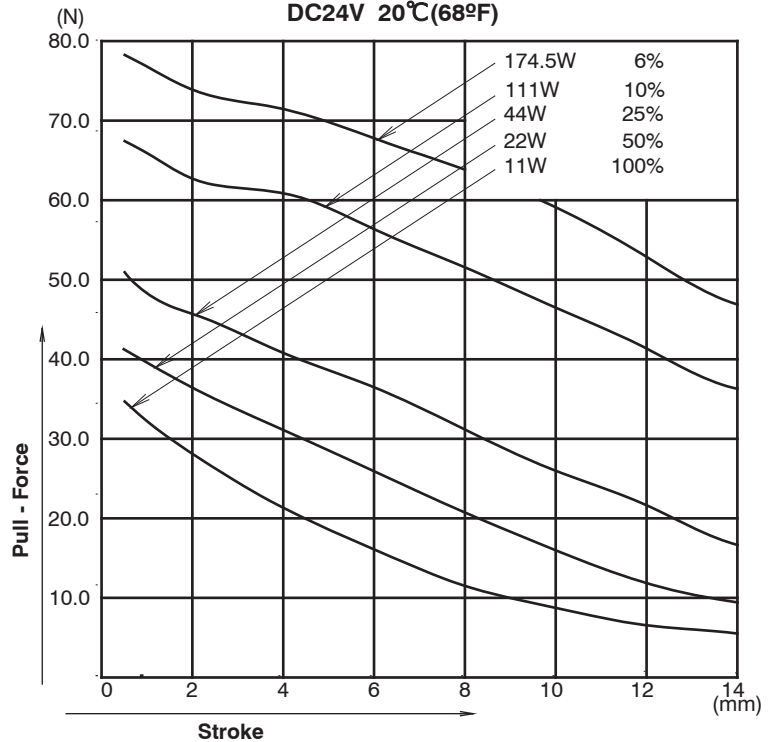
## Duty Cycle

Insulation Class A 105°C(221°F)

Part Number	Coil	Rated	Rated	Rated
	Resistance	DC6V	DC12V	DC24V
CA15670033	3.3 Ohms	100%	25%	6%
CA15670052	5.2 Ohms	-	40%	10%
CA15670130	13 Ohms	-	100%	25%
CA15670260	26 Ohms	-	-	50%
CA15670520	52 Ohms	-	-	100%

## Graph Force - Stroke

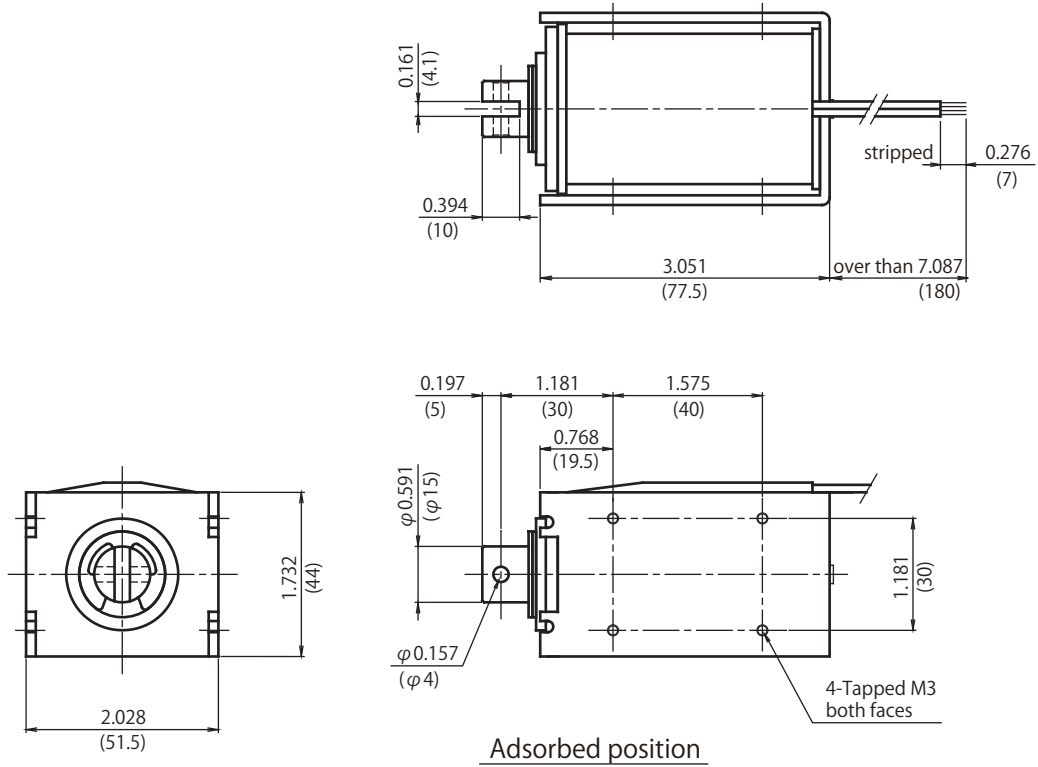
DC24V 20°C(68°F)





# CA1578

DIMENSIONS ARE  $\frac{\text{INCHES}}{\text{MILLIMETERS}}$



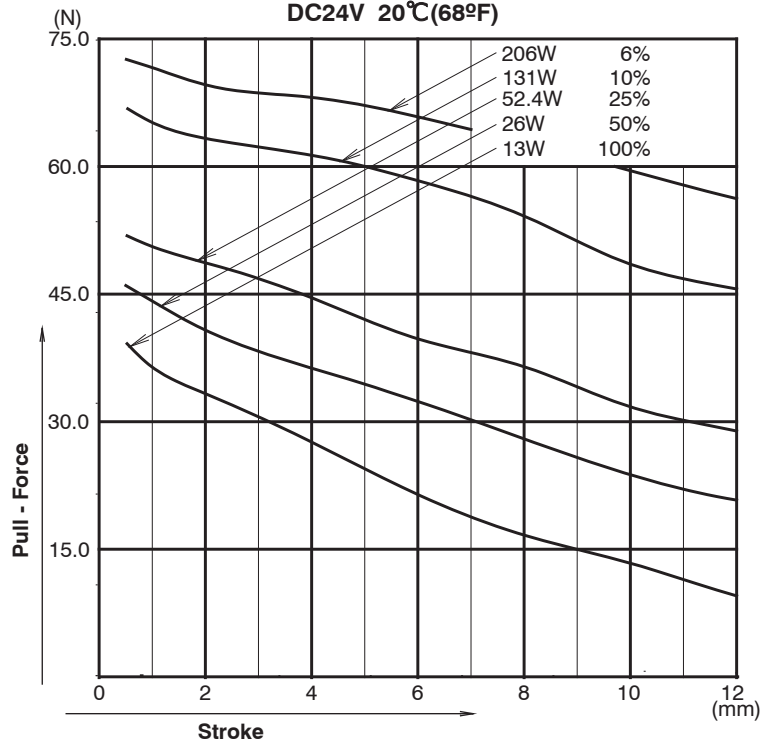
## Duty Cycle

Insulation Class A 105°C(221°F)

Part Number	Coil	Rated	Rated	Rated
	Resistance	DC6V	DC12V	DC24V
CA15780028	2.8 Ohms	100%	25%	6%
CA15780044	4.4 Ohms	-	40%	10%
CA15780110	11 Ohms	-	100%	25%
CA15780220	22 Ohms	-	-	50%
CA15780440	44 Ohms	-	-	100%

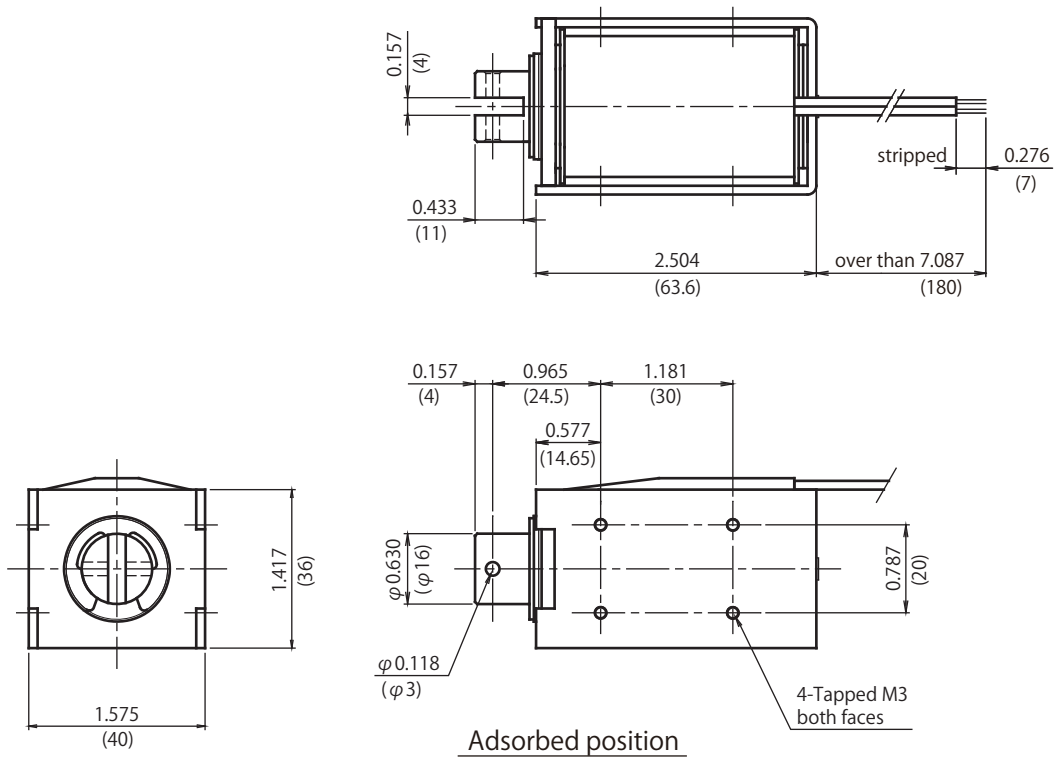
## Graph Force - Stroke

DC24V 20°C(68°F)



# CA1662

DIMENSIONS ARE  $\frac{\text{INCHES}}{\text{MILLIMETERS}}$



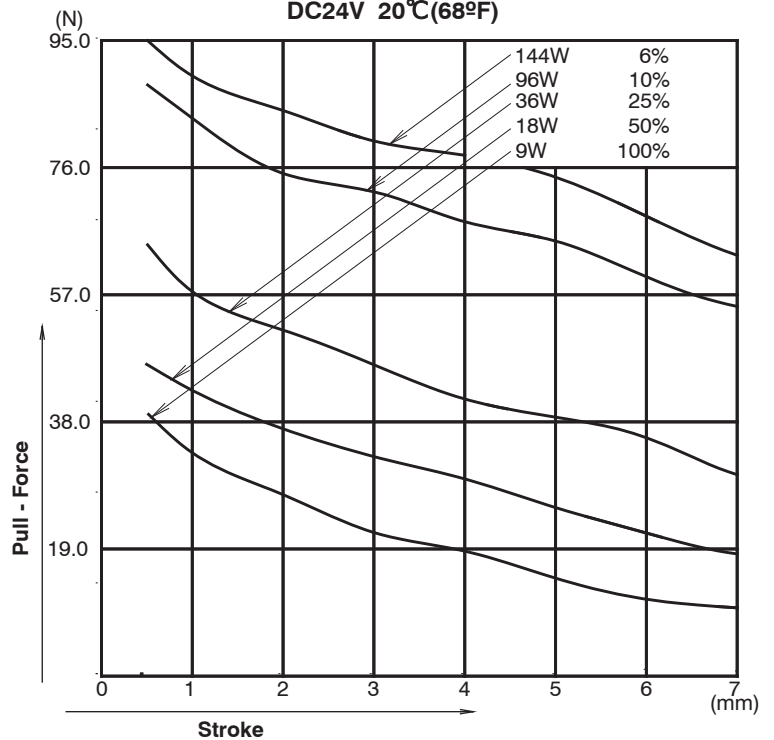
## Duty Cycle

Insulation Class A 105°C(221°F)

Part Number	Coil	Rated	Rated	Rated
	Resistance	DC6V	DC12V	DC24V
CA16620040	4 Ohms	100%	25%	6%
CA16620060	6 Ohms	-	40%	10%
CA16620160	16 Ohms	-	100%	25%
CA16620320	32 Ohms	-	-	50%
CA16620640	64 Ohms	-	-	100%

## Graph Force - Stroke

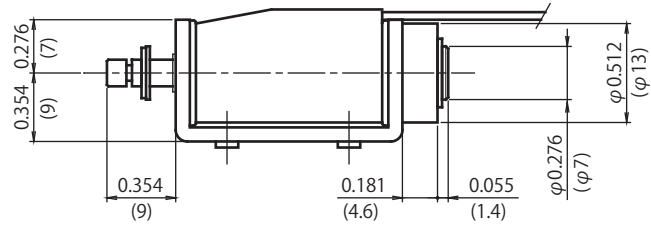
DC24V 20°C(68°F)



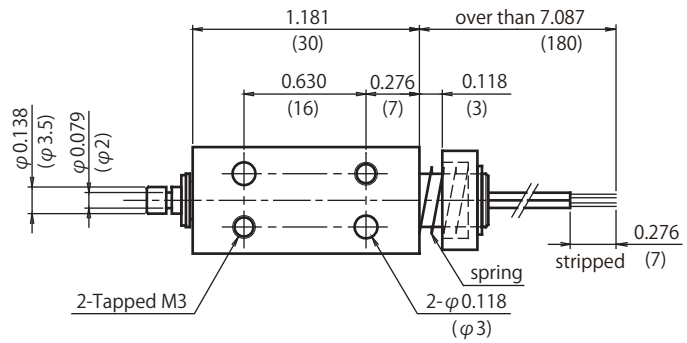
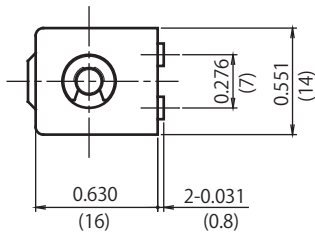


# CB0730

DIMENSIONS ARE  $\frac{\text{INCHES}}{\text{MILLIMETERS}}$



ON: Stroke 0



OFF: Stroke 0.118  
(3)

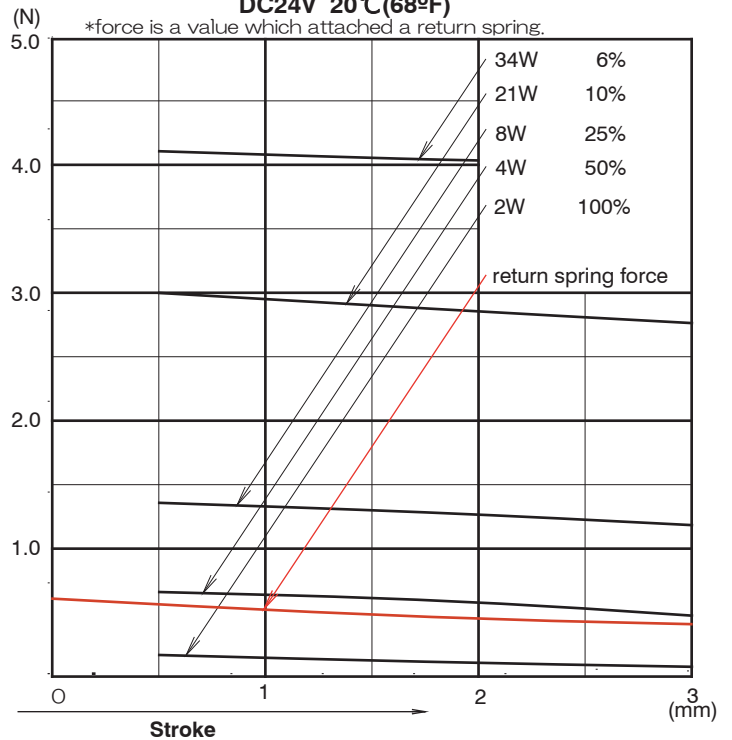
## Duty Cycle

Insulation Class A 105°C(221°F)

Part Number	Coil	Rated	Rated	Rated
	Resistance	DC6V	DC12V	DC24V
CB07300170	17 Ohms	100%	25%	6%
CB07300270	27 Ohms	-	40%	10%
CB07300690	69 Ohms	-	100%	25%
CB07301370	137 Ohms	-	-	50%
CB07302740	274 Ohms	-	-	100%

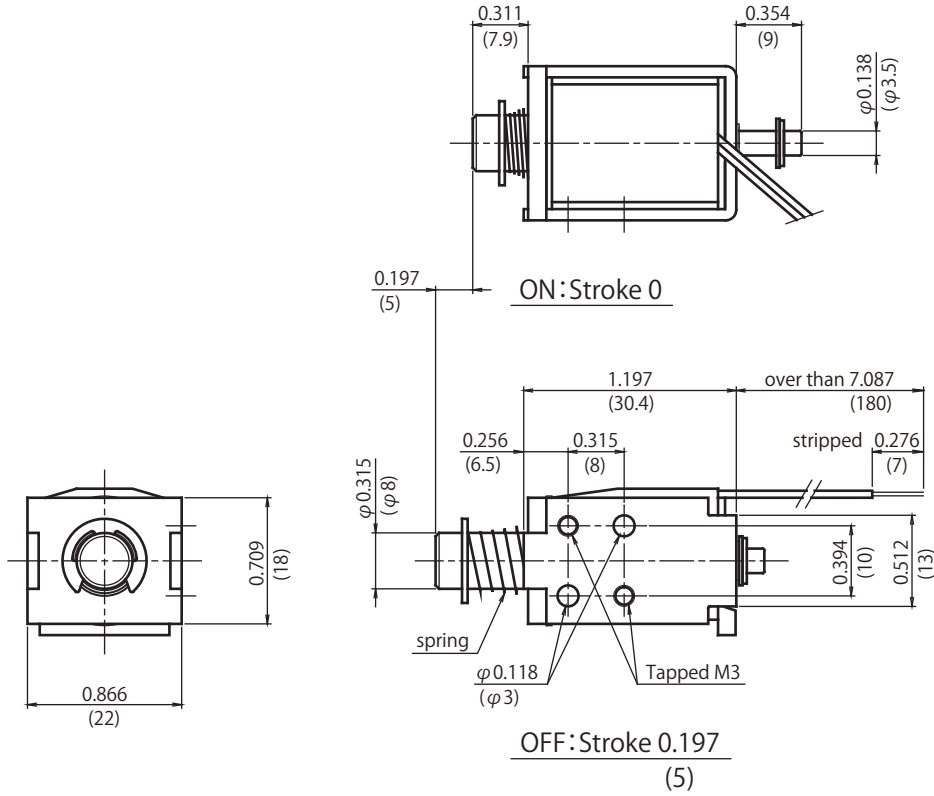
## Graph Force - Stroke

DC24V 20°C(68°F)



# CB0830

DIMENSIONS ARE  $\frac{\text{INCHES}}{\text{MILLIMETERS}}$



## Duty Cycle

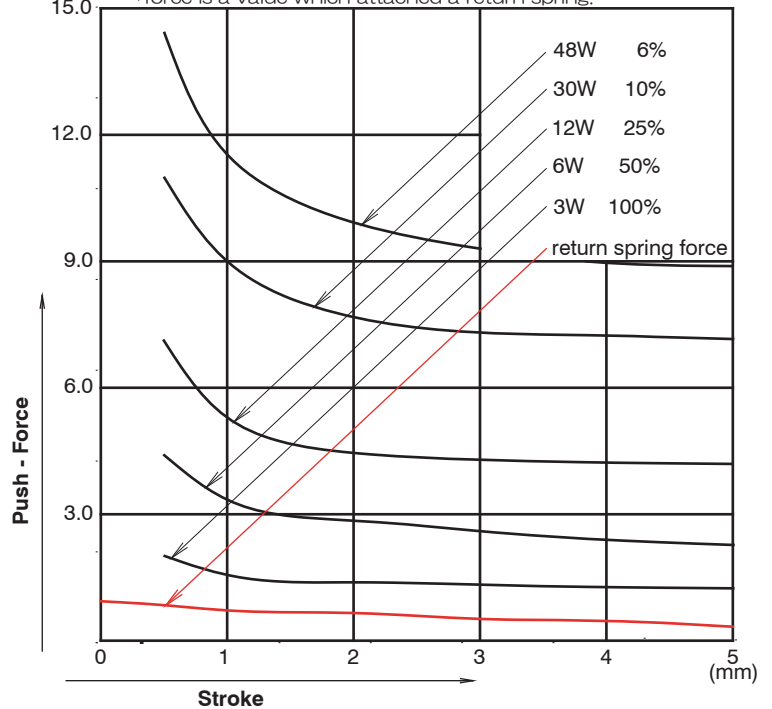
Insulation Class A 105°C(221°F)

Part Number	Coil	Rated	Rated	Rated
	Resistance	DC6V	DC12V	DC24V
CB08300120	12 Ohms	100%	25%	6%
CB08300190	19 Ohms	-	40%	10%
CB08300480	48 Ohms	-	100%	25%
CB08300960	96 Ohms	-	-	50%
CB08301920	192 Ohms	-	-	100%

## Graph Force - Stroke

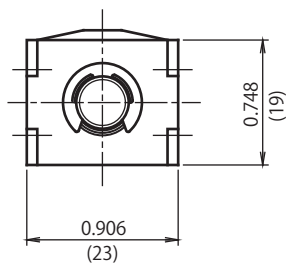
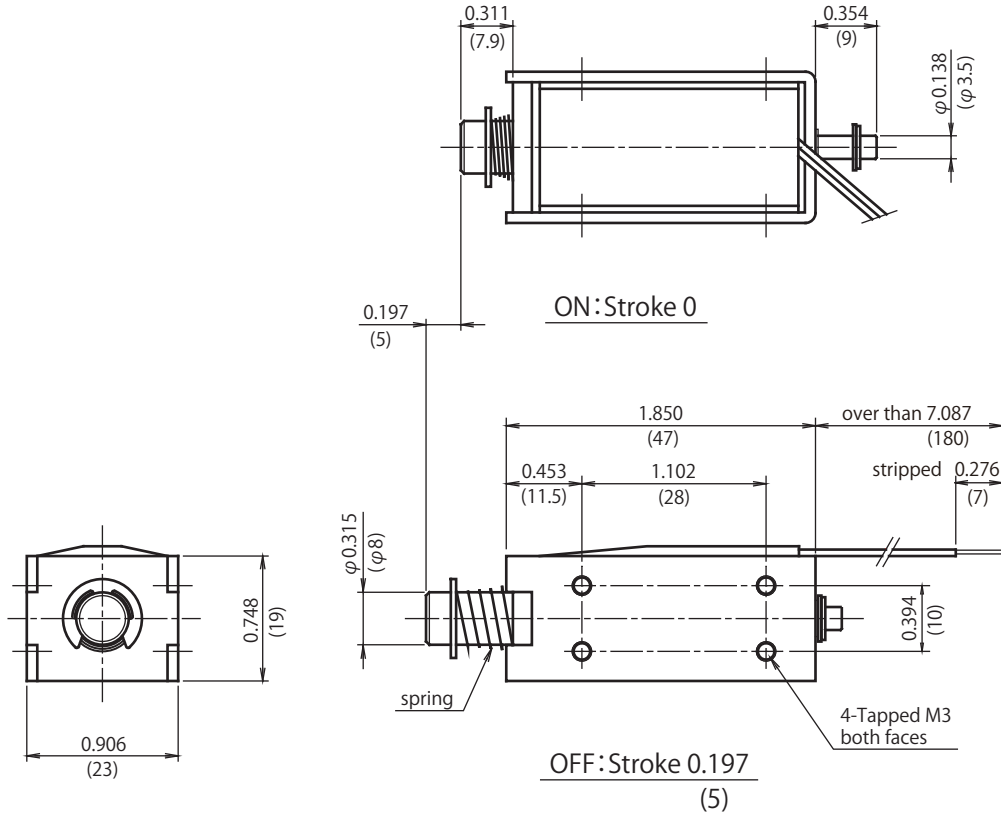
DC24V 20°C(68°F)

\*force is a value which attached a return spring.



# CB0847

DIMENSIONS ARE  $\frac{\text{INCHES}}{\text{MILLIMETERS}}$



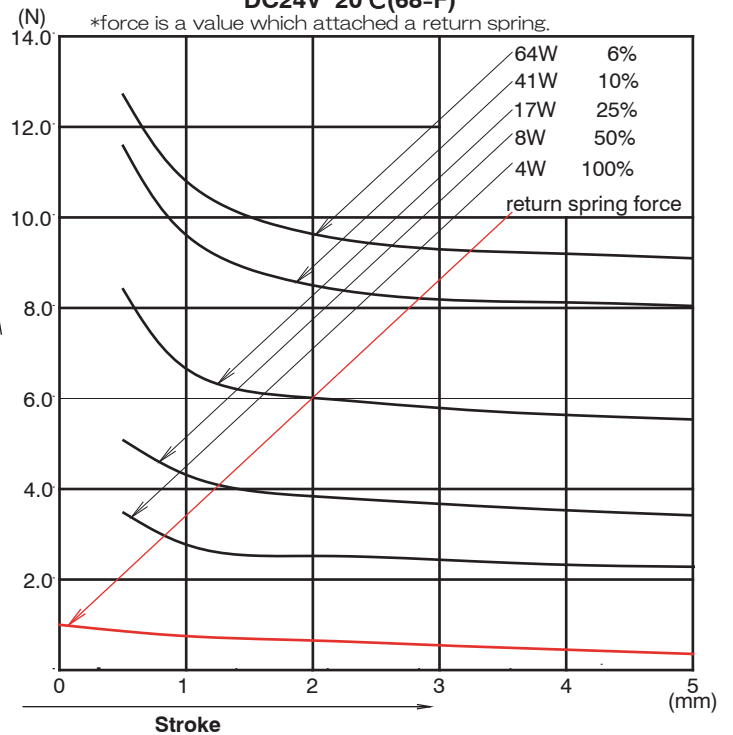
## Duty Cycle

Insulation Class A 105°C(221°F)

Part Number	Coil	Rated	Rated	Rated
	Resistance	DC6V	DC12V	DC24V
CB08470090	9 Ohms	100%	25%	6%
CB08470140	14 Ohms	-	40%	10%
CB08470360	36 Ohms	-	100%	25%
CB08470720	72 Ohms	-	-	50%
CB08471440	144 Ohms	-	-	100%

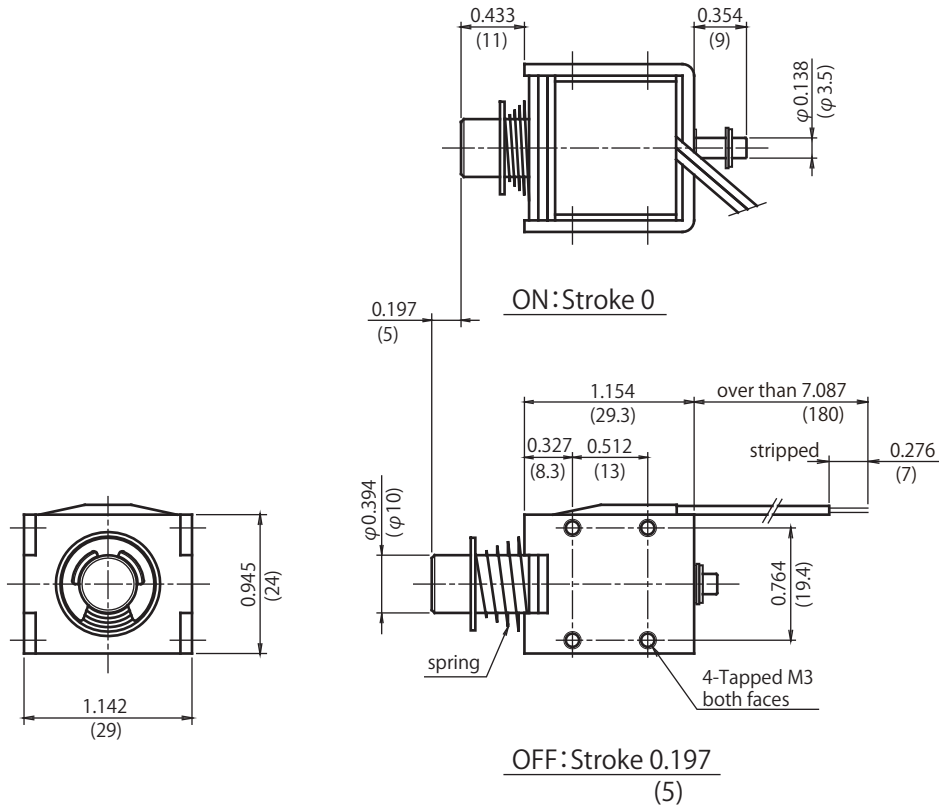
## Graph Force - Stroke

DC24V 20°C(68°F)



# CB1029

DIMENSIONS ARE  $\frac{\text{INCHES}}{\text{MILLIMETERS}}$



## Duty Cycle

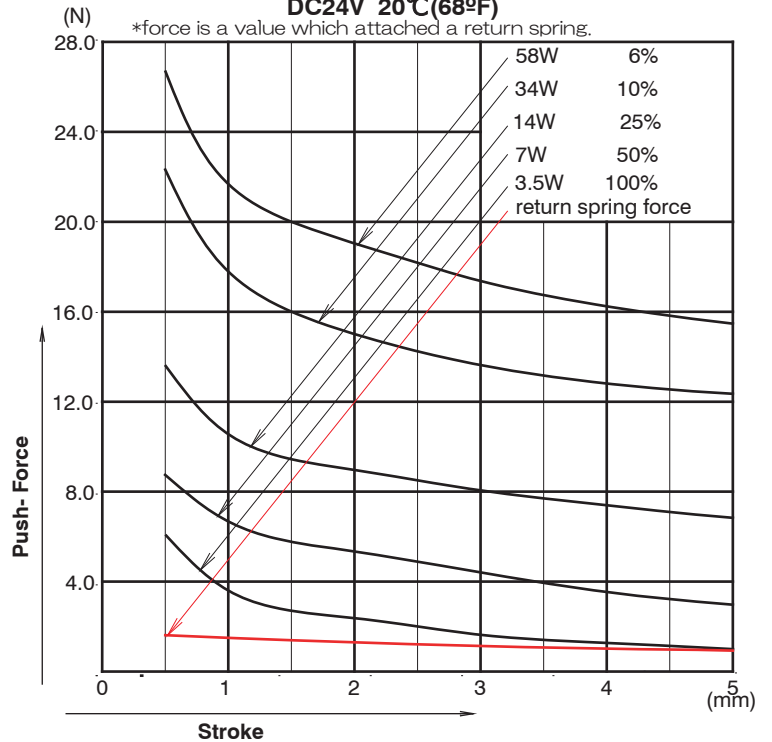
Insulation Class A 105°C(221°F)

Part Number	Coil	Rated	Rated	Rated
	Resistance	DC6V	DC12V	DC24V
CB10290100A	10 Ohms	100%	25%	6%
CB10290170A	17 Ohms	-	40%	10%
CB10290410A	41 Ohms	-	100%	25%
CB10290820A	82 Ohms	-	-	50%
CB10291640A	164 Ohms	-	-	100%

## Graph Force - Stroke

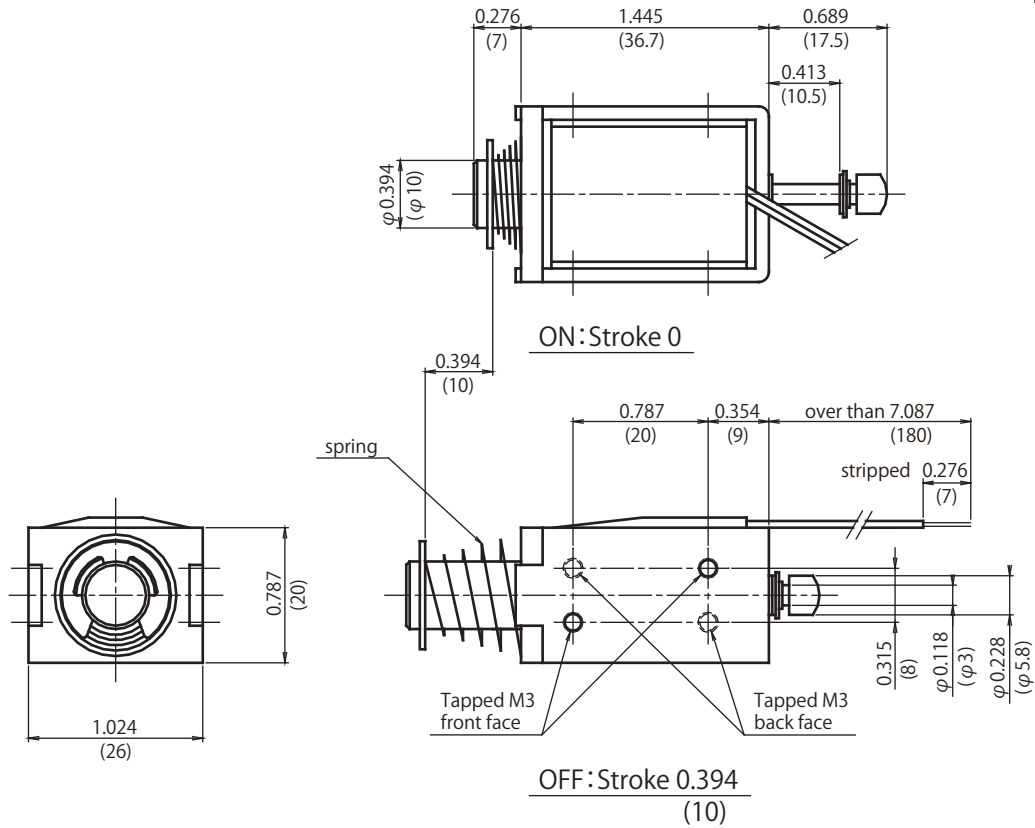
DC24V 20°C(68°F)

\*force is a value which attached a return spring.



# CB1037

DIMENSIONS ARE  $\frac{\text{INCHES}}{\text{MILLIMETERS}}$



## Duty Cycle

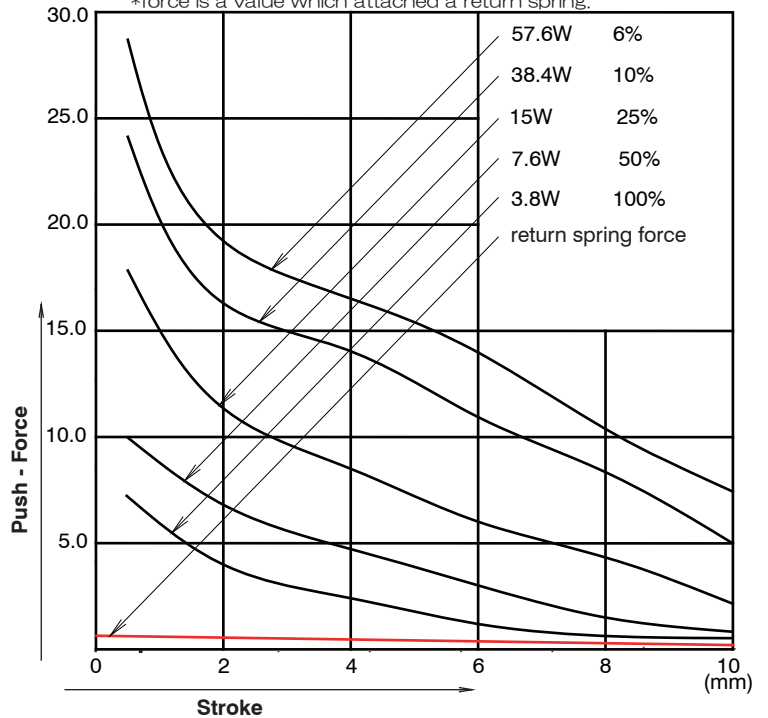
Insulation Class A 105°C(221°F)

Part Number	Coil	Rated	Rated	Rated
	Resistance	DC6V	DC12V	DC24V
CB10370100	10 Ohms	100%	25%	6%
CB10370150	15 Ohms	-	40%	10%
CB10370380	38 Ohms	-	100%	25%
CB10370760	76 Ohms	-	-	50%
CB10371520	152 Ohms	-	-	100%

## Graph Force - Stroke

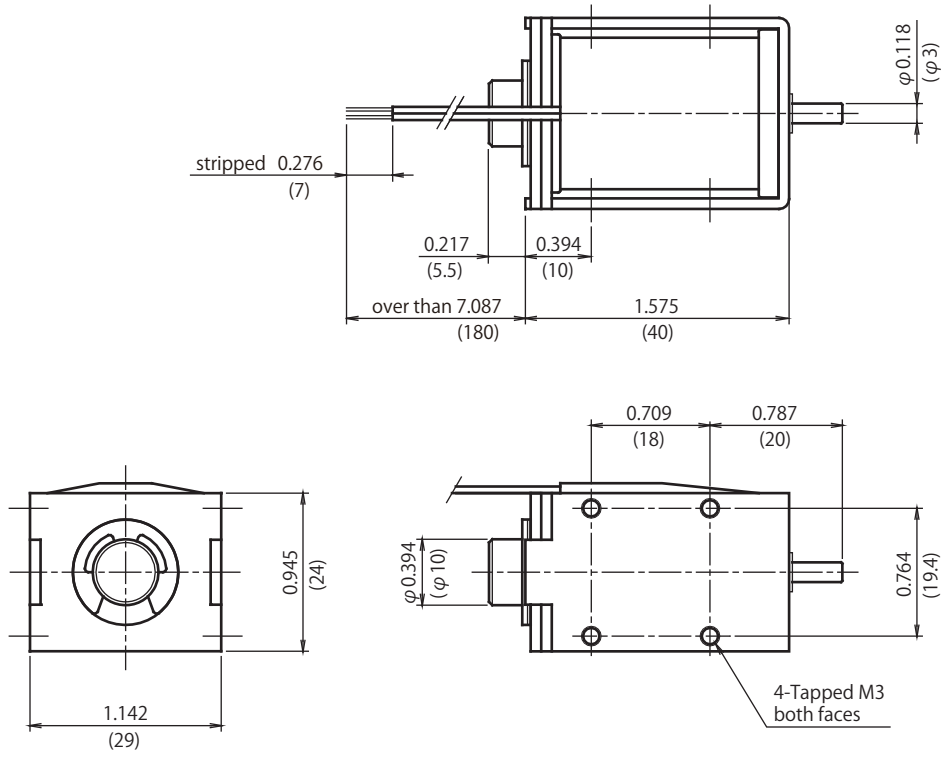
DC24V 20°C(68°F)

\*force is a value which attached a return spring.



# CB1040

DIMENSIONS ARE  $\frac{\text{INCHES}}{\text{MILLIMETERS}}$



Adsorbed position

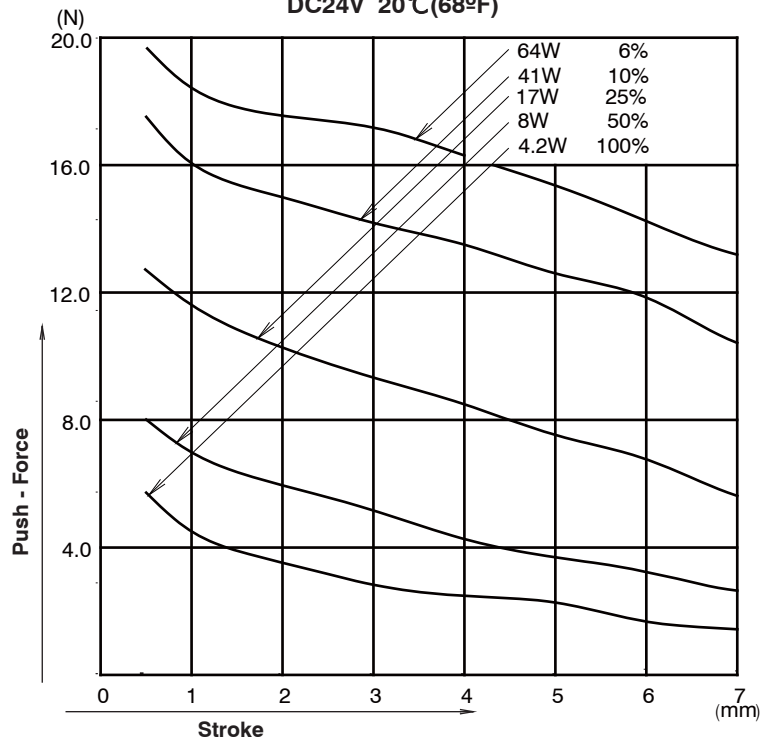
## Duty Cycle

Insulation Class A 105°C(221°F)

Part Number	Coil	Rated	Rated	Rated
	Resistance	DC6V	DC12V	DC24V
CB10400090	9 Ohms	100%	25%	6%
CB10400140	14 Ohms	-	40%	10%
CB10400340	34 Ohms	-	100%	25%
CB10400690	69 Ohms	-	-	50%
CB10401370	137 Ohms	-	-	100%

## Graph Force - Stroke

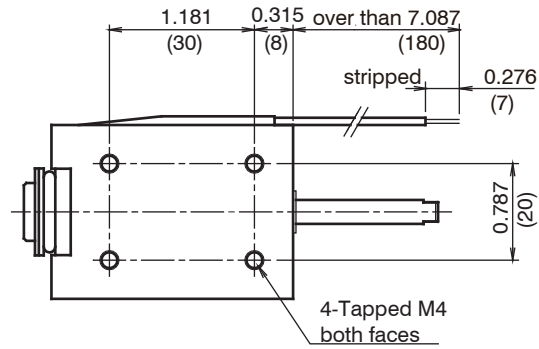
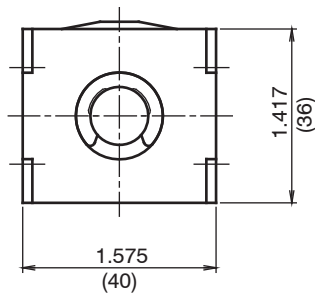
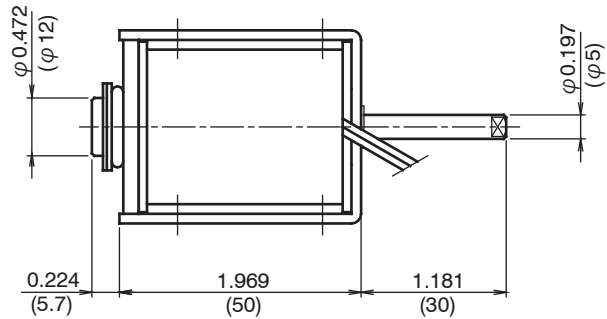
DC24V 20°C(68°F)





# CB1250

DIMENSIONS ARE  $\frac{\text{INCHES}}{\text{MILLIMETERS}}$



Adsorbed position

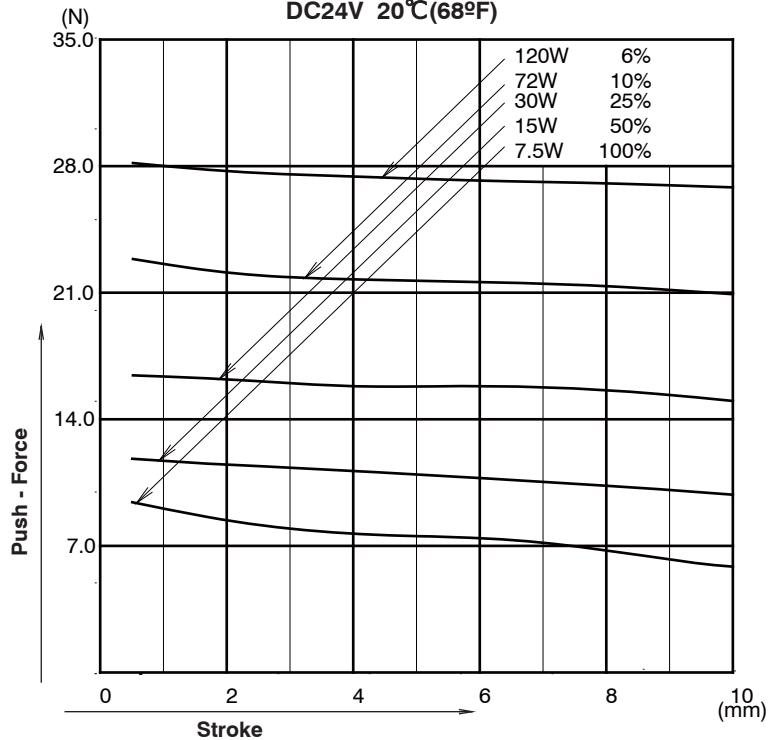
## Duty Cycle

Insulation Class A 105°C(221°F)

Part Number	Coil	Rated	Rated	Rated
	Resistance	DC6V	DC12V	DC24V
CB12500045	4.5 Ohms	100%	25%	6%
CB12500080	8 Ohms	-	40%	10%
CB12500190	19 Ohms	-	100%	25%
CB12500380	38 Ohms	-	-	50%
CB12500770	77 Ohms	-	-	100%

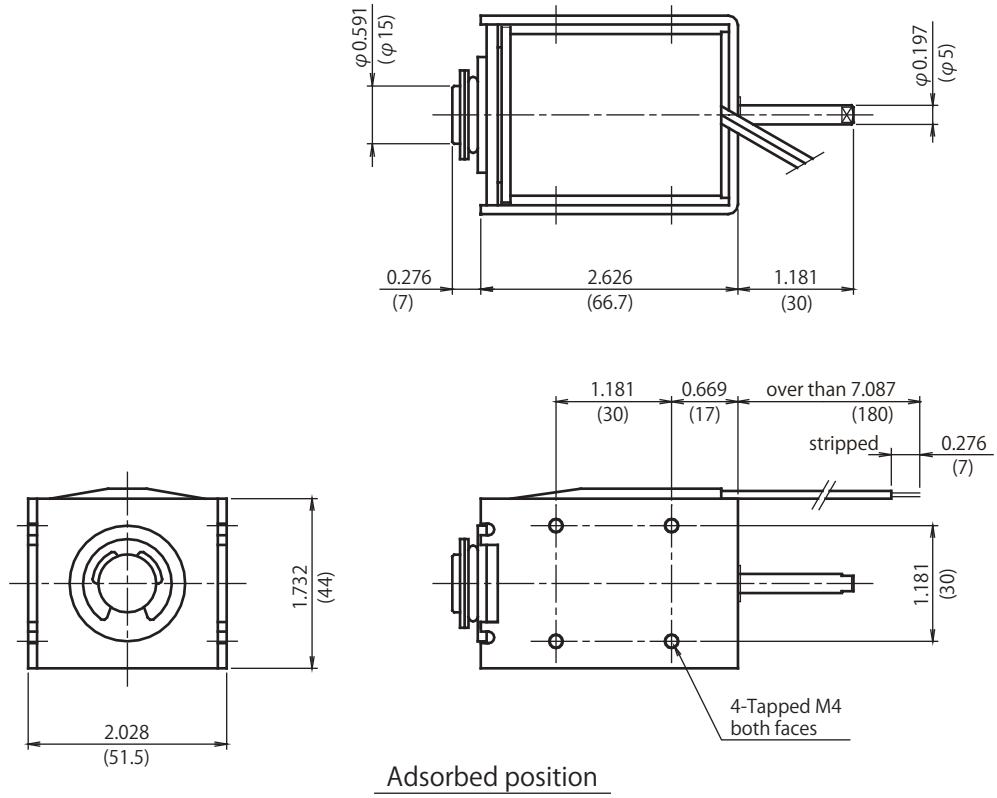
## Graph Force - Stroke

DC24V 20°C(68°F)



# CB1567

DIMENSIONS ARE  $\frac{\text{INCHES}}{\text{MILLIMETERS}}$



Adsorbed position

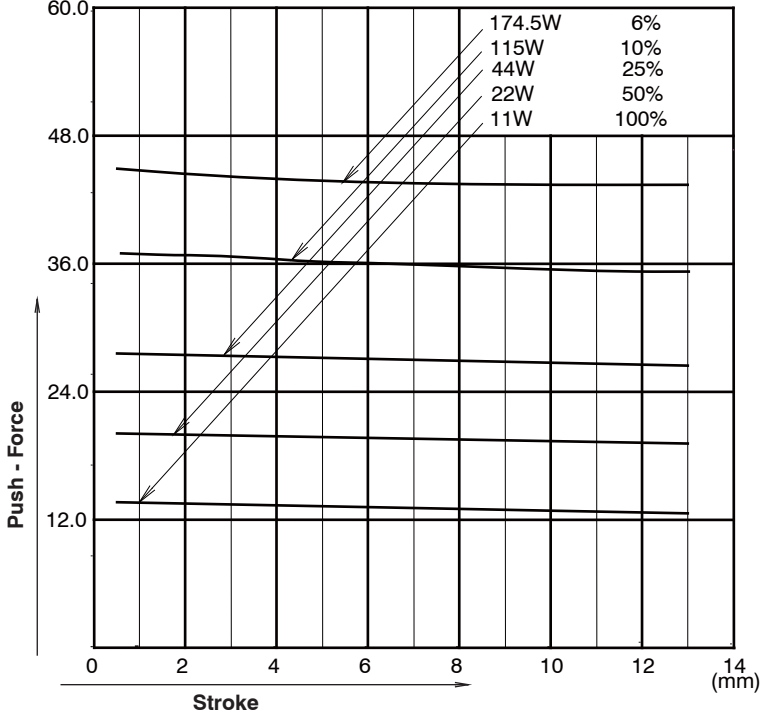
### Duty Cycle

Insulation Class A 105°C(221°F)

Part Number	Coil	Rated	Rated	Rated
	Resistance	DC6V	DC12V	DC24V
CB15670033	3.3 Ohms	100%	25%	6%
CB15670050	5 Ohms	-	40%	10%
CB15670130	13 Ohms	-	100%	25%
CB15670260	26 Ohms	-	-	50%
CB15670520	52 Ohms	-	-	100%

### Graph Force - Stroke

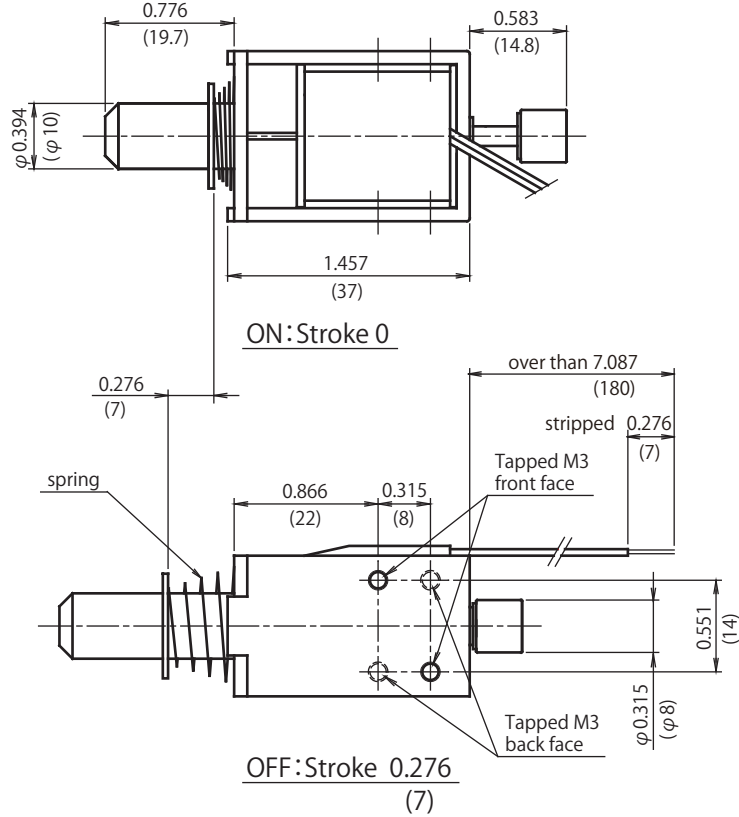
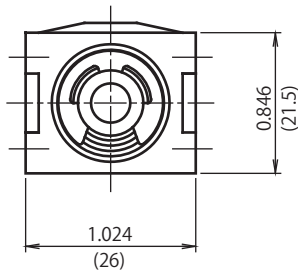
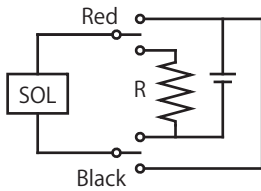
DC24V 20°C(68°F)



# CBD1037

DIMENSIONS ARE  $\frac{\text{INCHES}}{\text{MILLIMETERS}}$

Pull : Red Wire (+) Black Wire (-)  
 Release : Red Wire (-) Black Wire (+)



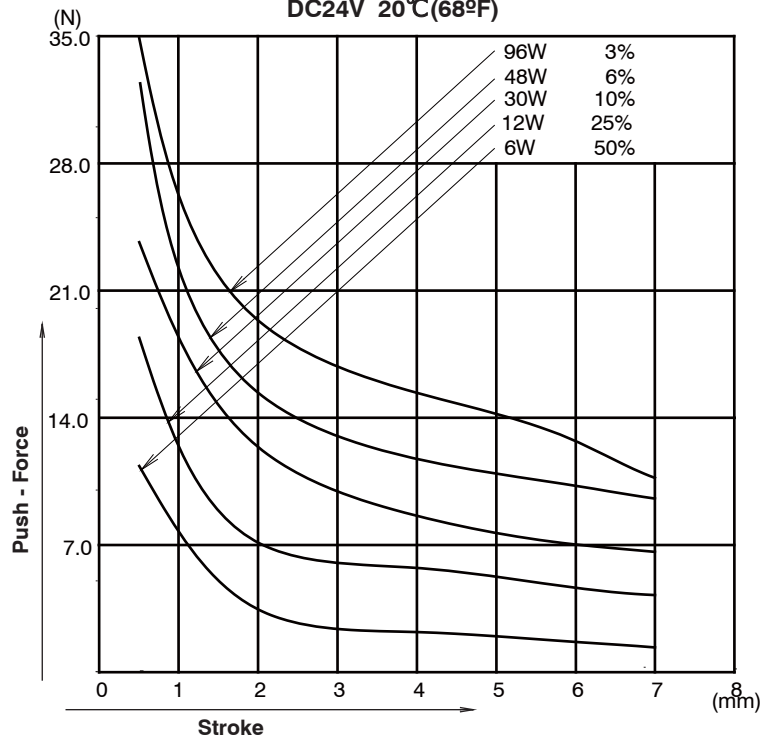
## Duty Cycle

Insulation Class A 105°C(221°F)

Part Number	Coil	Rated	Rated	Rated
	Resistance	DC6V	DC12V	DC24V
CBD10370060	6 Ohms	100%	25%	6%
CBD10370120	12 Ohms	-	40%	10%
CBD10370190	19 Ohms	-	100%	25%
CBD10370480	48 Ohms	-	-	50%
CBD10370960	96 Ohms	-	-	100%

## Graph Force - Stroke

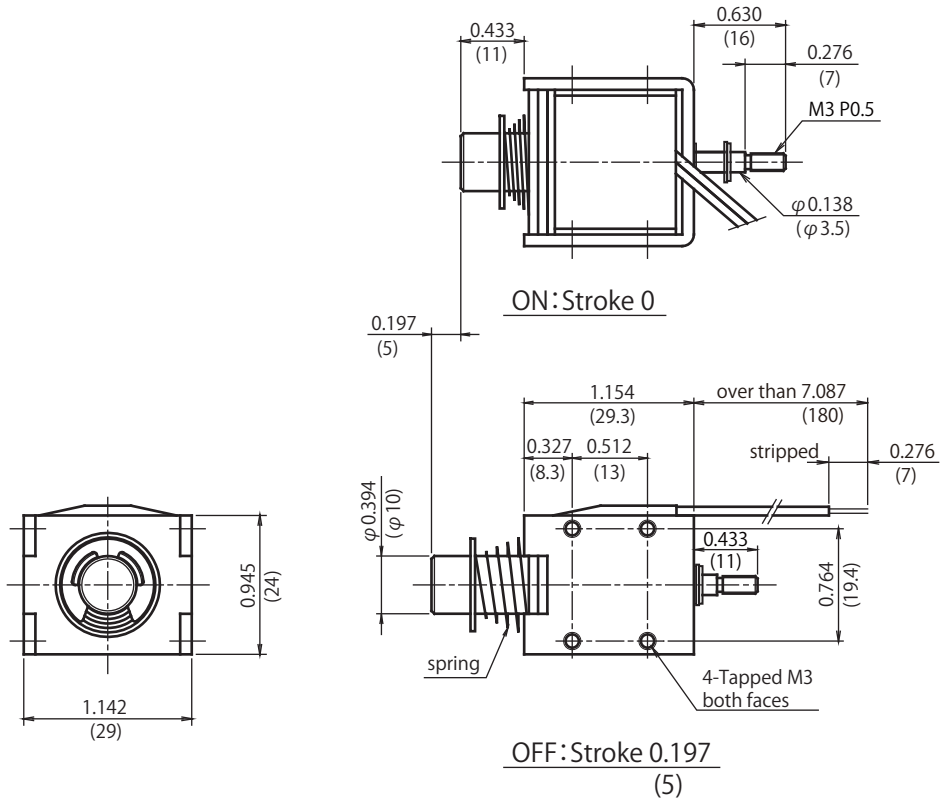
DC24V 20°C(68°F)





# CBS1029

DIMENSIONS ARE  $\frac{\text{INCHES}}{\text{MILLIMETERS}}$



## Duty Cycle

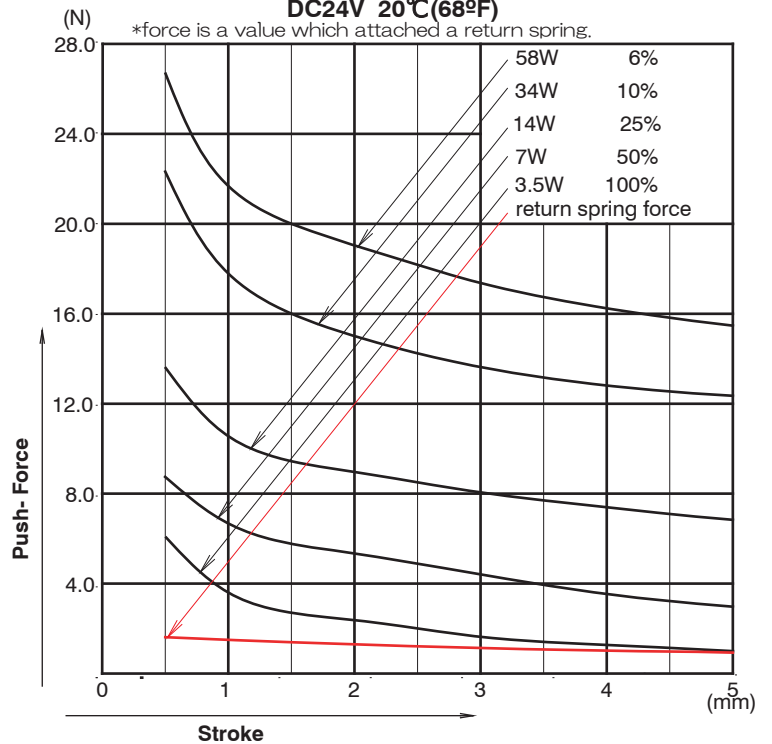
Insulation Class A 105°C(221°F)

Part Number	Coil	Rated	Rated	Rated
	Resistance	DC6V	DC12V	DC24V
CBS10290100	10 Ohms	100%	25%	6%
CBS10290170	17 Ohms	-	40%	10%
CBS10290410	41 Ohms	-	100%	25%
CBS10290820	82 Ohms	-	-	50%
CBS10291640	164 Ohms	-	-	100%

## Graph Force - Stroke

DC24V 20°C(68°F)

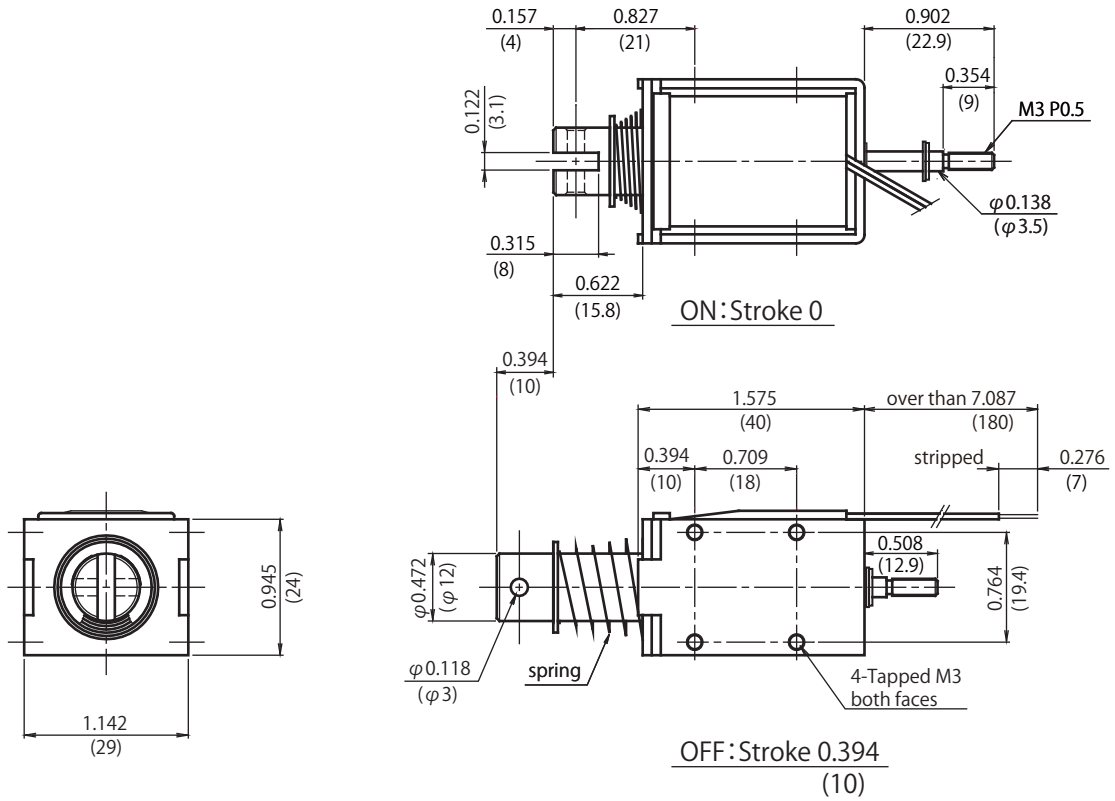
\*force is a value which attached a return spring.





# CBS1240

DIMENSIONS ARE  $\frac{\text{INCHES}}{\text{MILLIMETERS}}$



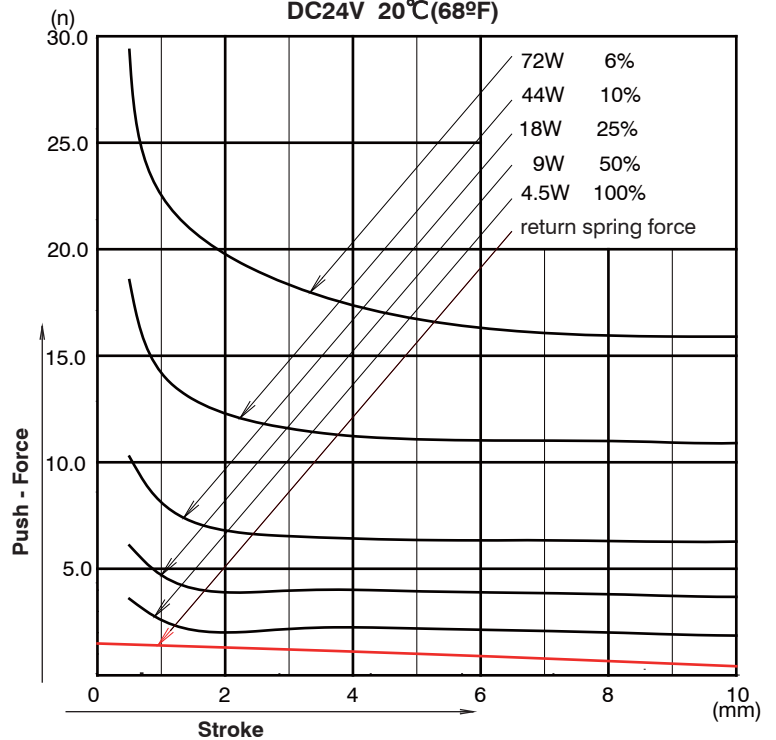
## Duty Cycle

Insulation Class A 105°C(221°F)

Part Number	Coil	Rated	Rated	Rated
	Resistance	DC6V	DC12V	DC24V
CBS12400080	8 Ohms	100%	25%	6%
CBS12400130	13 Ohms	-	40%	10%
CBS12400320	32 Ohms	-	100%	25%
CBS12400640	64 Ohms	-	-	50%
CBS12401280	128 Ohms	-	-	100%

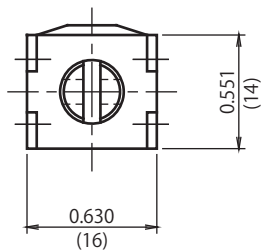
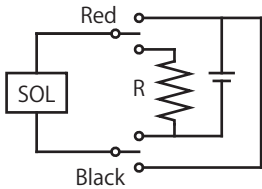
## Graph Force - Stroke

DC24V 20°C(68°F)

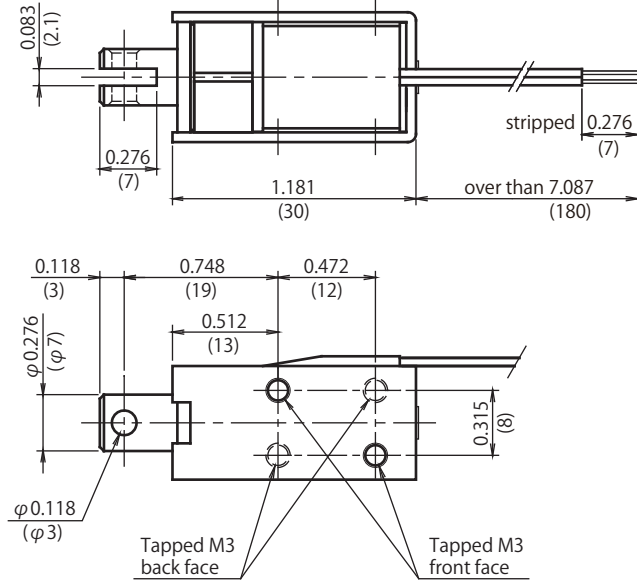


# CD0730

Pull : Red Wire (+) Black Wire (-)  
 Release : Red Wire (-) Black Wire (+)



DIMENSIONS ARE  $\frac{\text{INCHES}}{\text{MILLIMETERS}}$



Adsorbed position

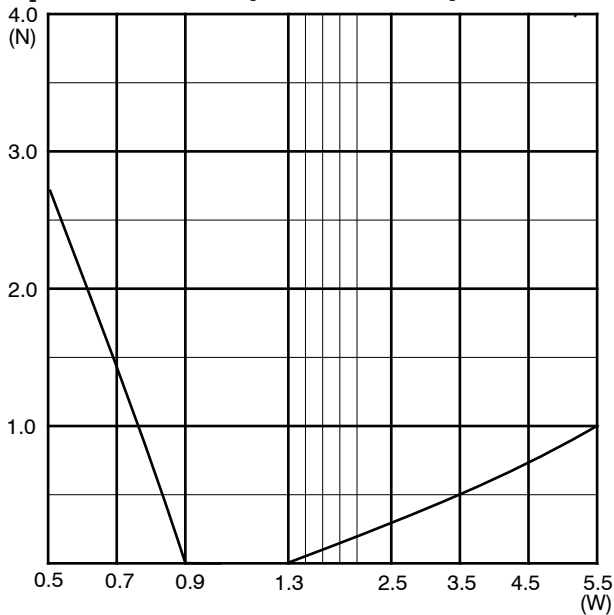
## Duty Cycle

Insulation Class A 105°C(221°F)

Part Number	Coil	Rated	Rated	Rated
	Resistance	DC6V	DC12V	DC24V
CD07300240	24 Ohms	100%	25%	6%
CD07300380	38 Ohms	-	40%	10%
CD07300960	96 Ohms	-	100%	25%
CD07301920	192 Ohms	-	-	50%

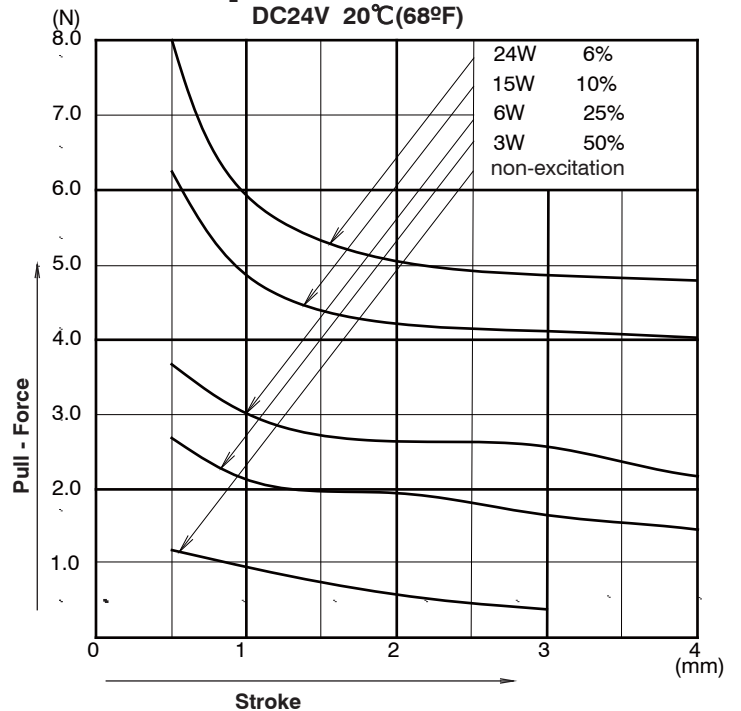
<b>Holding force (N)</b>
<b>6.0</b>

## Graph Release power consumption - load



## Graph Force - Stroke

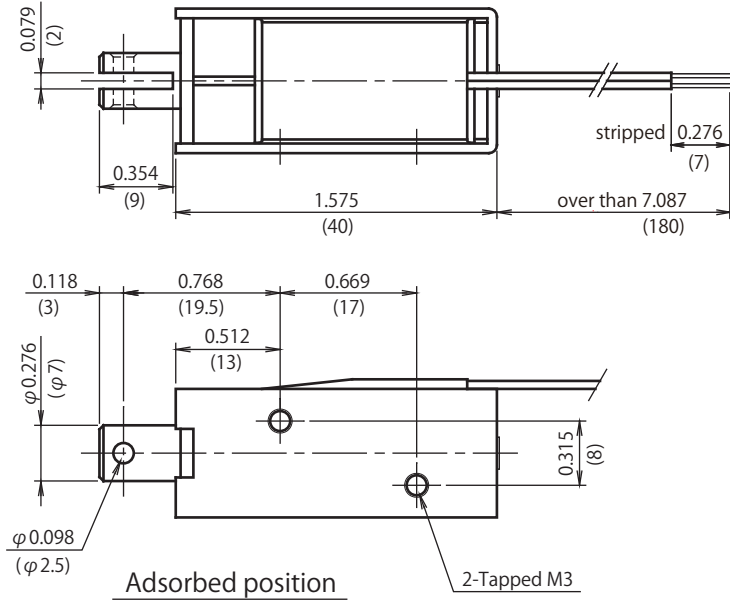
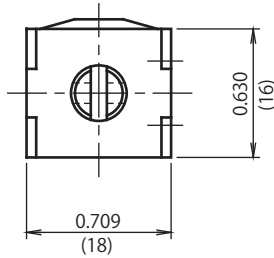
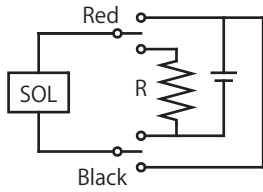
DC24V 20°C(68°F)



# CD0740

DIMENSIONS ARE  $\frac{\text{INCHES}}{\text{MILLIMETERS}}$

Pull : Red Wire (+) Black Wire (-)  
 Release : Red Wire (-) Black Wire (+)



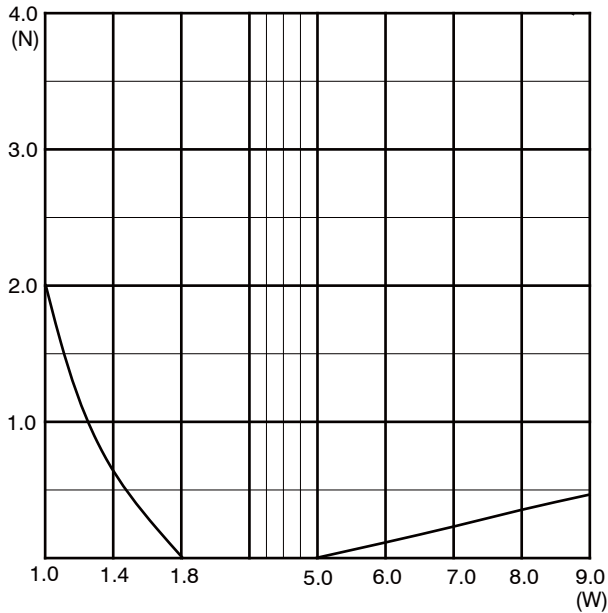
## Duty Cycle

Insulation Class A 105°C(221°F)

Part Number	Coil	Rated	Rated	Rated
	Resistance	DC6V	DC12V	DC24V
CD07400140	14 Ohms	100%	25%	6%
CD07400230	23 Ohms	-	40%	10%
CD07400580	58 Ohms	-	100%	25%
CD07401150	115 Ohms	-	-	50%

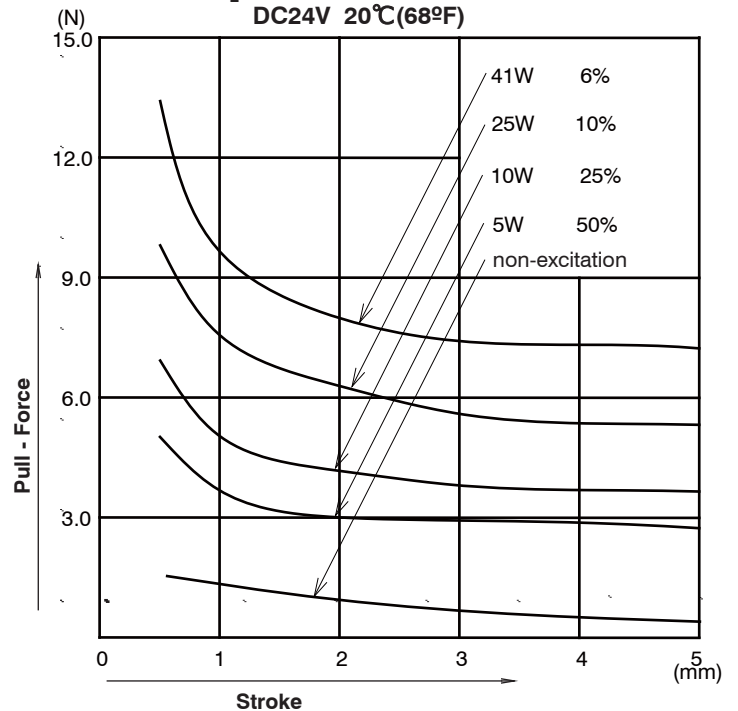
<b>Holding force (N)</b>
<b>7.0</b>

## Graph Release power consumption - load



## Graph Force - Stroke

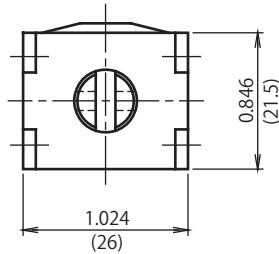
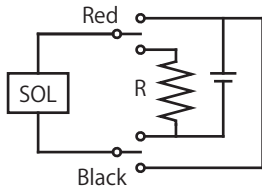
DC24V 20°C(68°F)



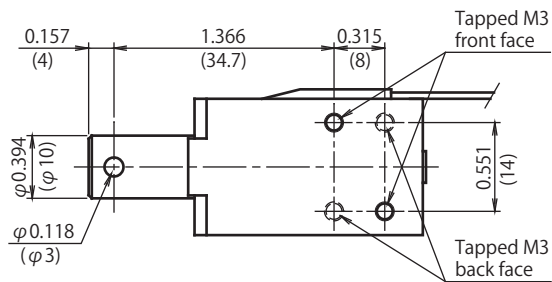
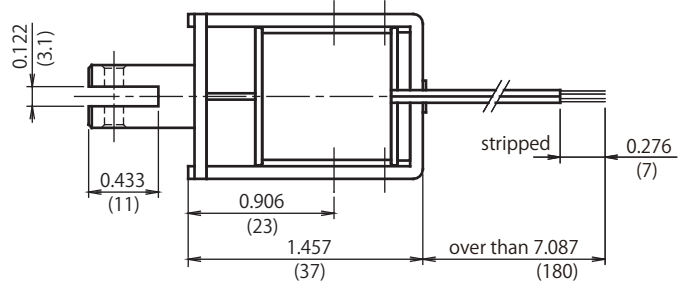


# CD1037

Pull : Red Wire (+) Black Wire (-)  
 Release : Red Wire (-) Black Wire (+)



DIMENSIONS ARE  $\frac{\text{INCHES}}{\text{MILLIMETERS}}$



Adsorbed position

## Duty Cycle

Insulation Class A 105°C(221°F)

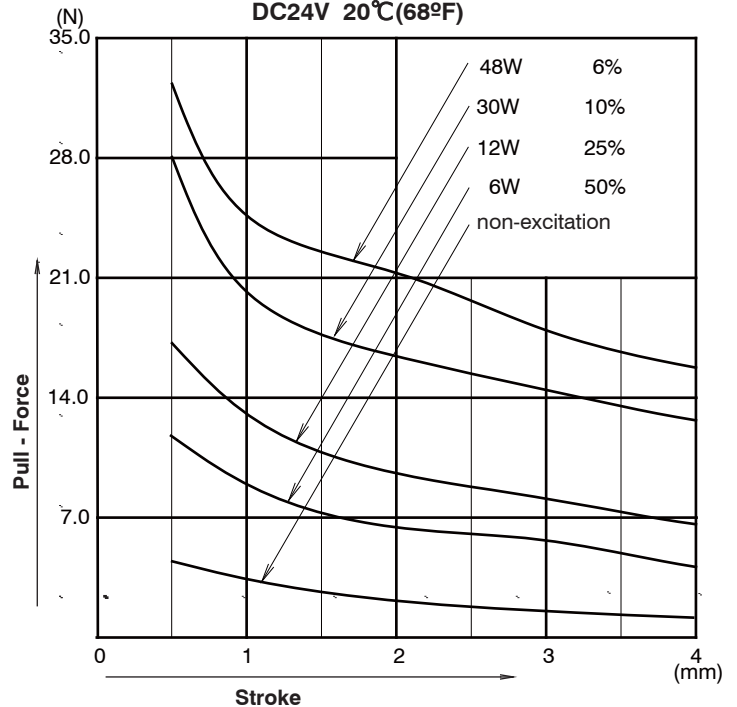
Part Number	Coil	Rated	Rated	Rated
	Resistance	DC6V	DC12V	DC24V
CD10370120	12 Ohms	100%	25%	6%
CD10370190	19 Ohms		40%	10%
CD10370480	48 Ohms	-	100%	25%
CD10370960	96 Ohms	-	-	50%

Holding force (N)

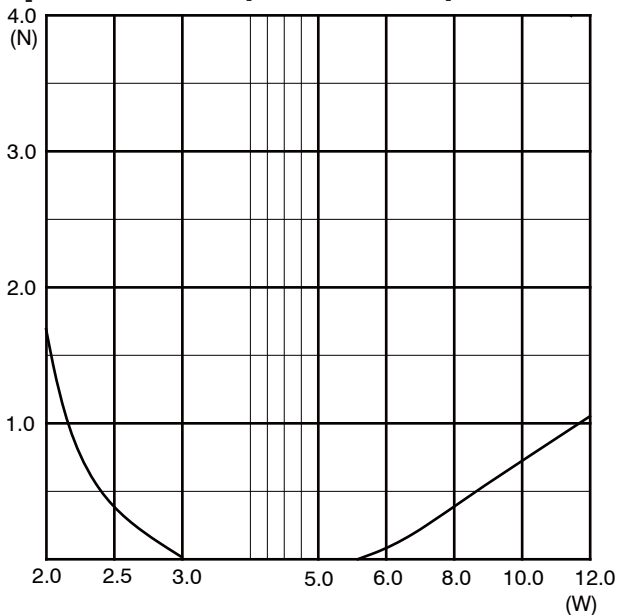
16.0

## Graph Force - Stroke

DC24V 20°C(68°F)

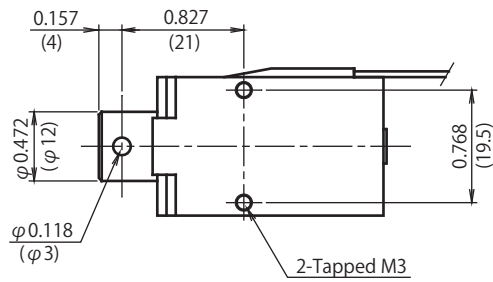
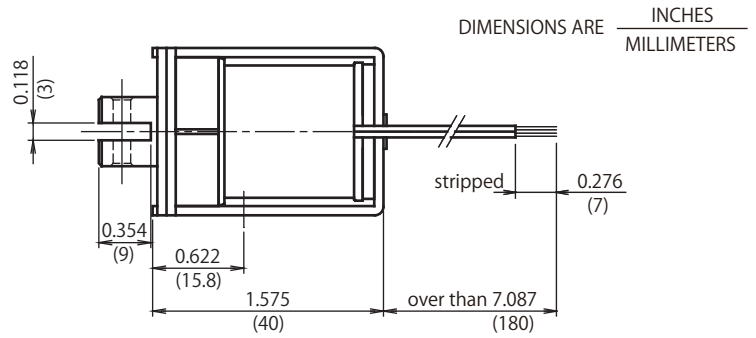
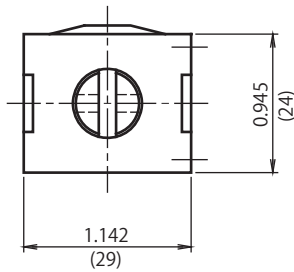
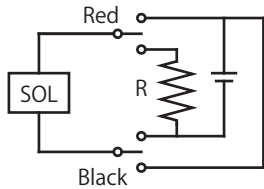


## Graph Release power consumption - load



# CD1240

Pull : Red Wire (+) Black Wire (-)  
 Release : Red Wire (-) Black Wire (+)



Adsorbed position

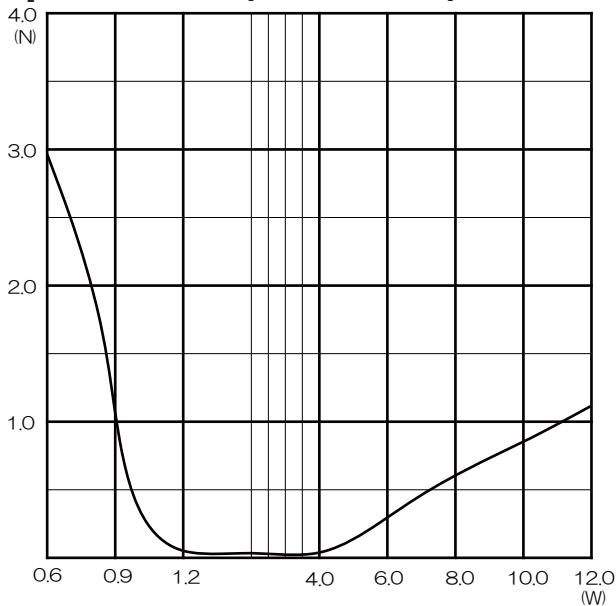
## Duty Cycle

Insulation Class A 105°C(221°F)

Part Number	Coil	Rated	Rated	Rated
	Resistance	DC6V	DC12V	DC24V
CD12400100	10 Ohms	100%	25%	6%
CD12400170	17 Ohms		40%	10%
CD12400410	41 Ohms	-	100%	25%
CD12400820	82 Ohms	-	-	50%

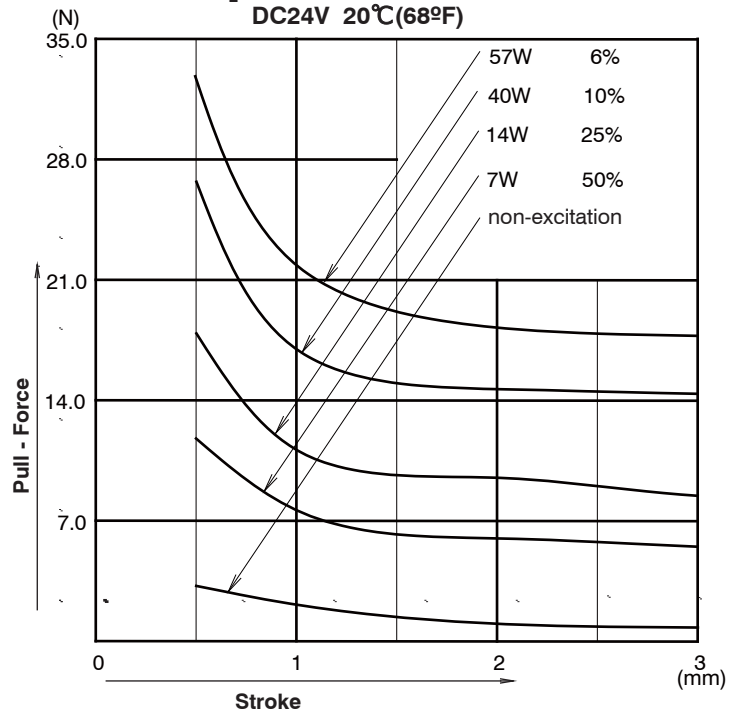
<b>Holding force (N)</b>
<b>10.5</b>

## Graph Release power consumption - load



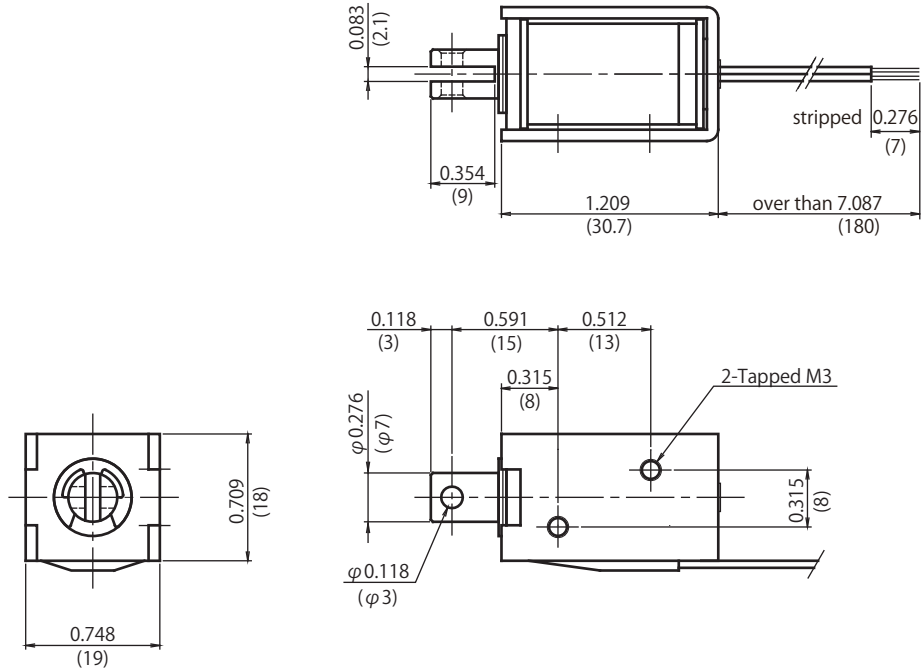
## Graph Force - Stroke

DC24V 20°C(68°F)



# CE0730

DIMENSIONS ARE  $\frac{\text{INCHES}}{\text{MILLIMETERS}}$



Adsorbed position

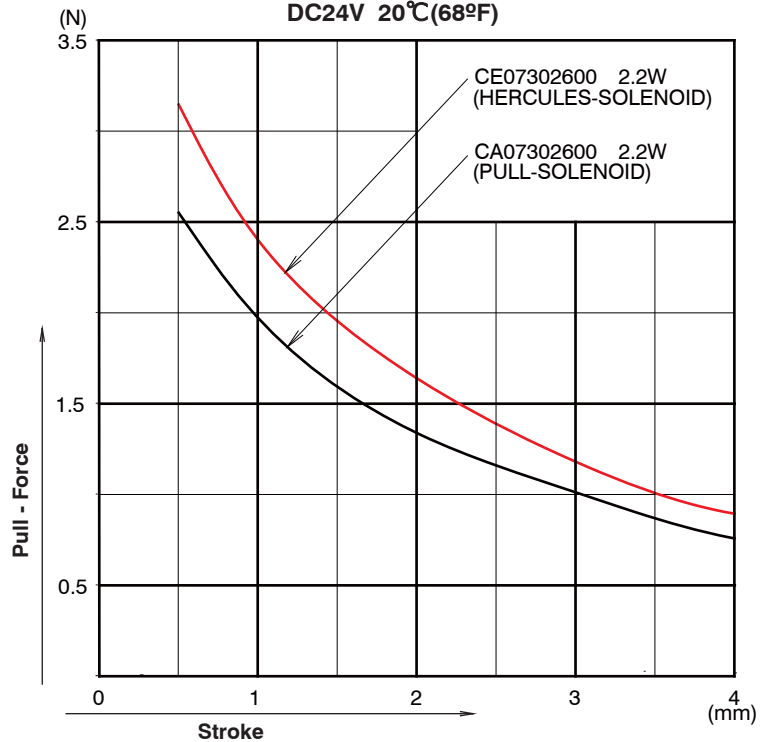
### Duty Cycle

Insulation Class A 105°C(221°F)

Part Number	Coil	Rated	Rated	Rated
	Resistance	DC6V	DC12V	DC24V
CE07302600	260 Ohms	-	-	100%

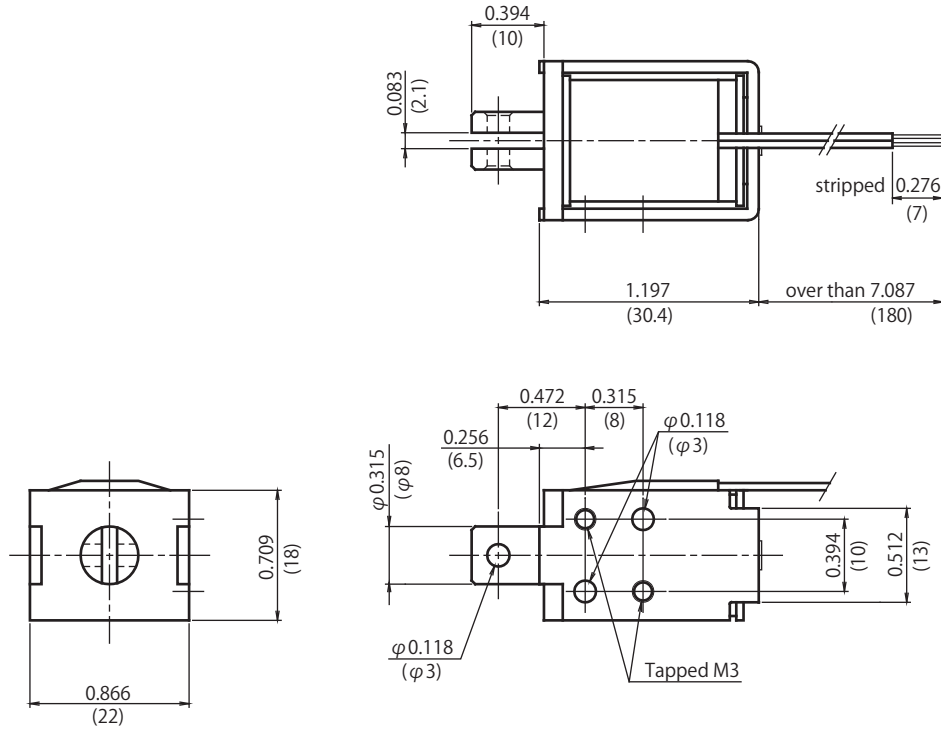
### Graph Force - Stroke

DC24V 20°C(68°F)



# CE0830

DIMENSIONS ARE  $\frac{\text{INCHES}}{\text{MILLIMETERS}}$



Adsorbed position

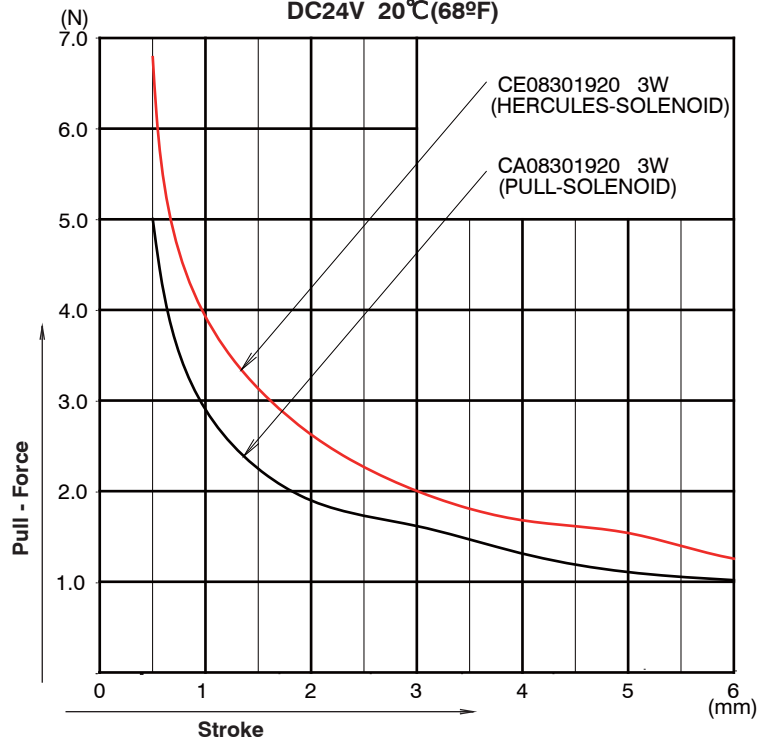
## Duty Cycle

Insulation Class A 105°C(221°F)

Part Number	Coil	Rated	Rated	Rated
	Resistance	DC6V	DC12V	DC24V
CE08301920	192 Ohms	-	-	100%

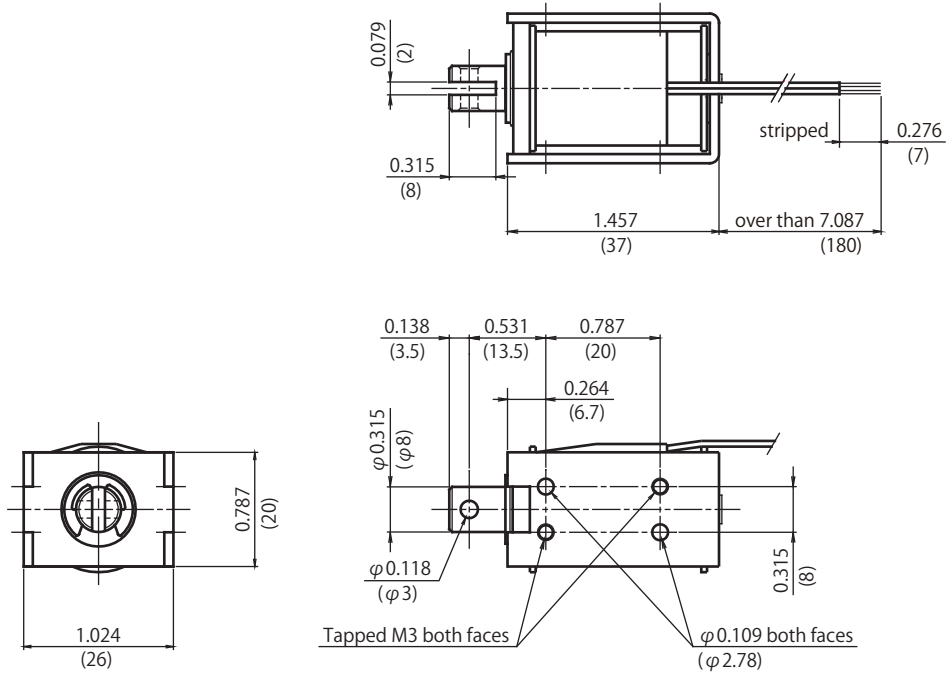
## Graph Force - Stroke

DC24V 20°C(68°F)



# CE0837

DIMENSIONS ARE  $\frac{\text{INCHES}}{\text{MILLIMETERS}}$



Adsorbed position

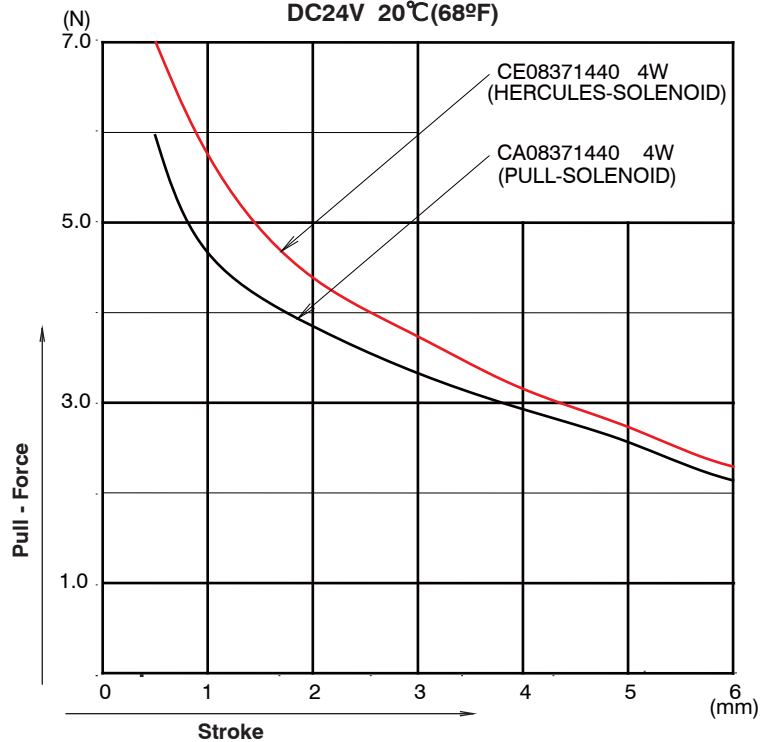
## Duty Cycle

Insulation Class A 105°C(221°F)

Part Number	Coil	Rated	Rated	Rated
	Resistance	DC6V	DC12V	DC24V
CE08371440	144 Ohms	-	-	100%

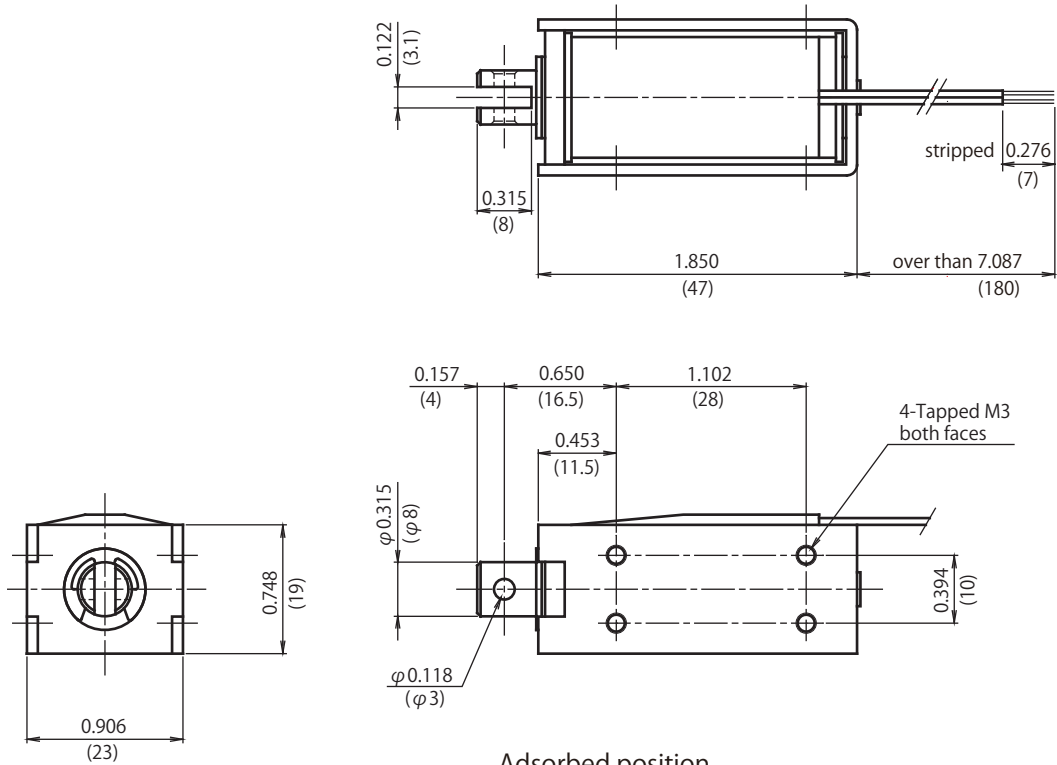
## Graph Force - Stroke

DC24V 20°C(68°F)



# CE0847

DIMENSIONS ARE  $\frac{\text{INCHES}}{\text{MILLIMETERS}}$



Adsorbed position

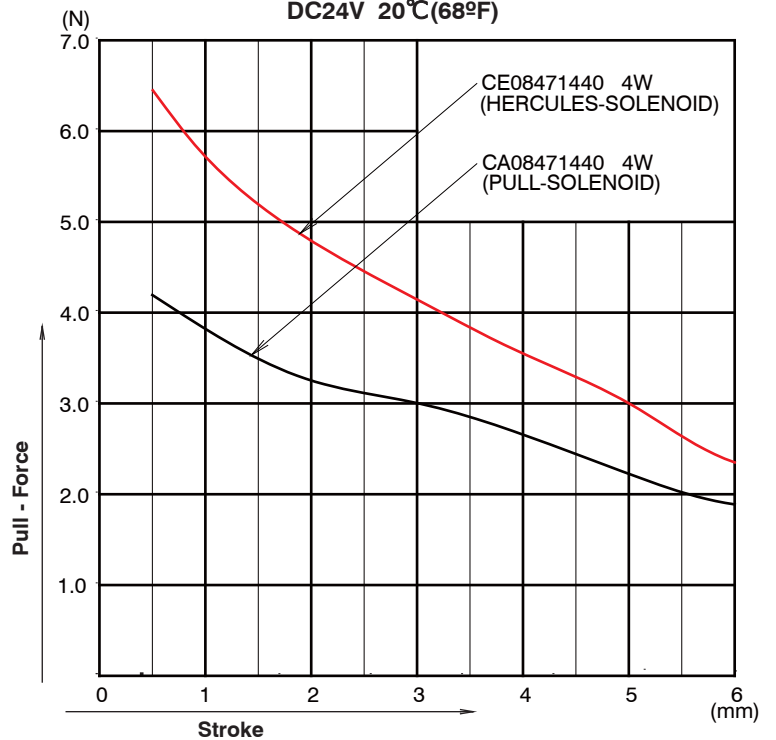
## Duty Cycle

Insulation Class A 105°C(221°F)

Part Number	Coil	Rated	Rated	Rated
	Resistance	DC6V	DC12V	DC24V
CE08471440	144 Ohms	-	-	100%

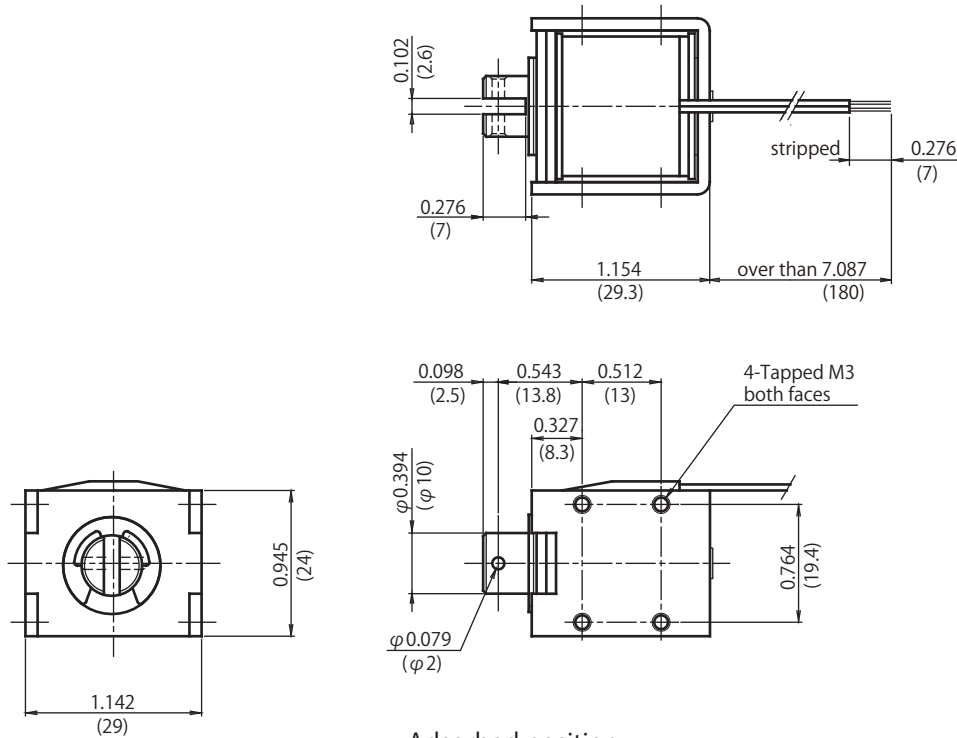
## Graph Force - Stroke

DC24V 20°C(68°F)



# CE1029

DIMENSIONS ARE  $\frac{\text{INCHES}}{\text{MILLIMETERS}}$



Adsorbed position

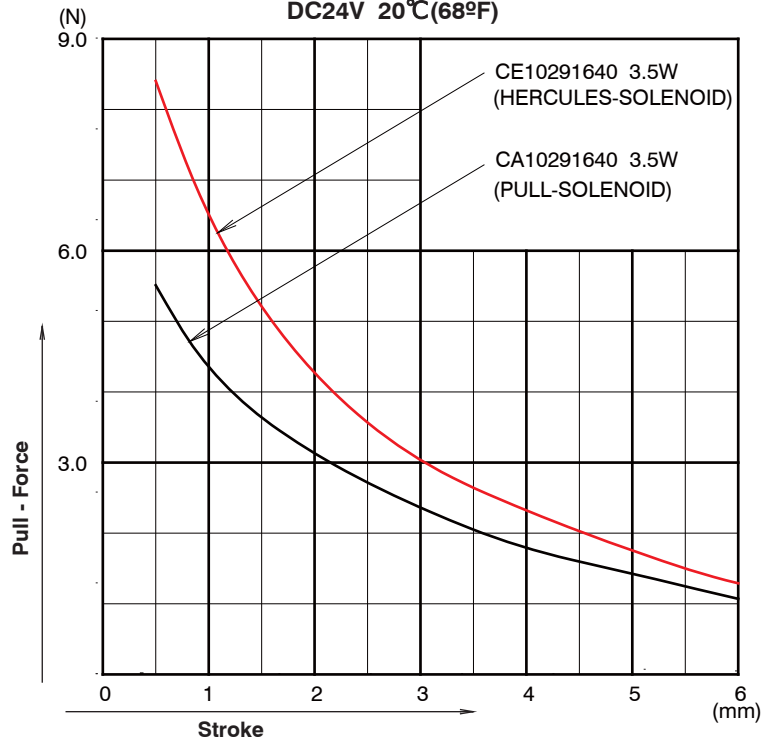
## Duty Cycle

Insulation Class A 105°C(221°F)

Part Number	Coil	Rated	Rated	Rated
	Resistance	DC6V	DC12V	DC24V
CE10291640	164 Ohms	-	-	100%

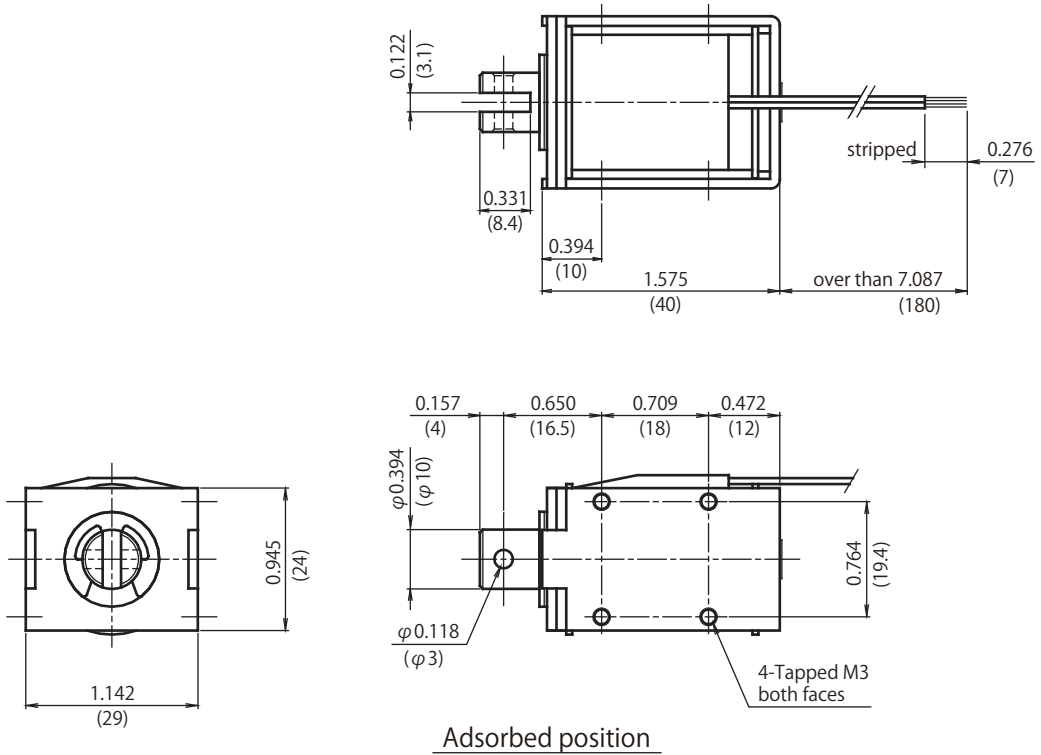
## Graph Force - Stroke

DC24V 20°C(68°F)



# CE1040

DIMENSIONS ARE  $\frac{\text{INCHES}}{\text{MILLIMETERS}}$



Adsorbed position

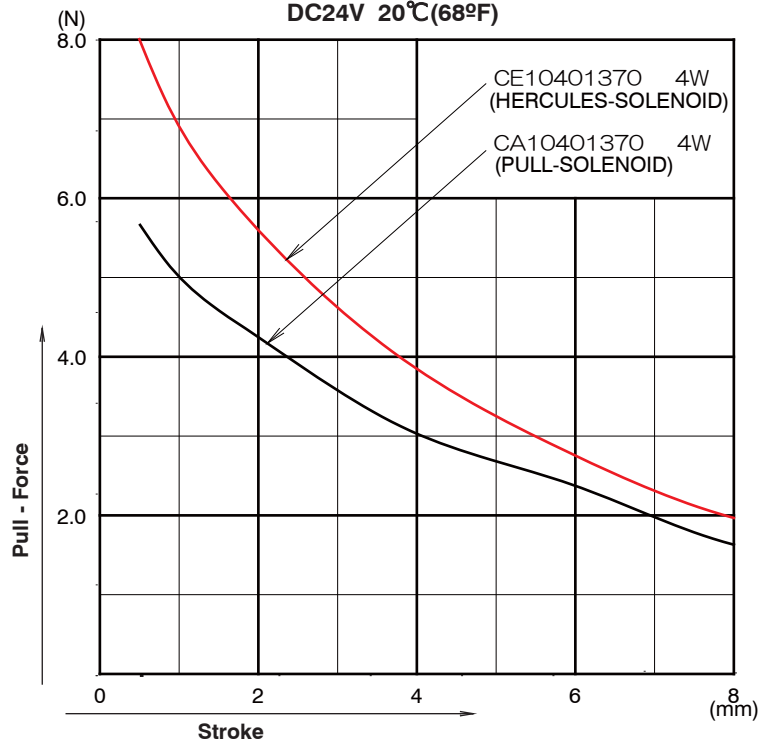
## Duty Cycle

Insulation Class A 105°C(221°F)

Part Number	Coil	Rated	Rated	Rated
	Resistance	DC6V	DC12V	DC24V
CE10401370	137 Ohms	-	-	100%

## Graph Force - Stroke

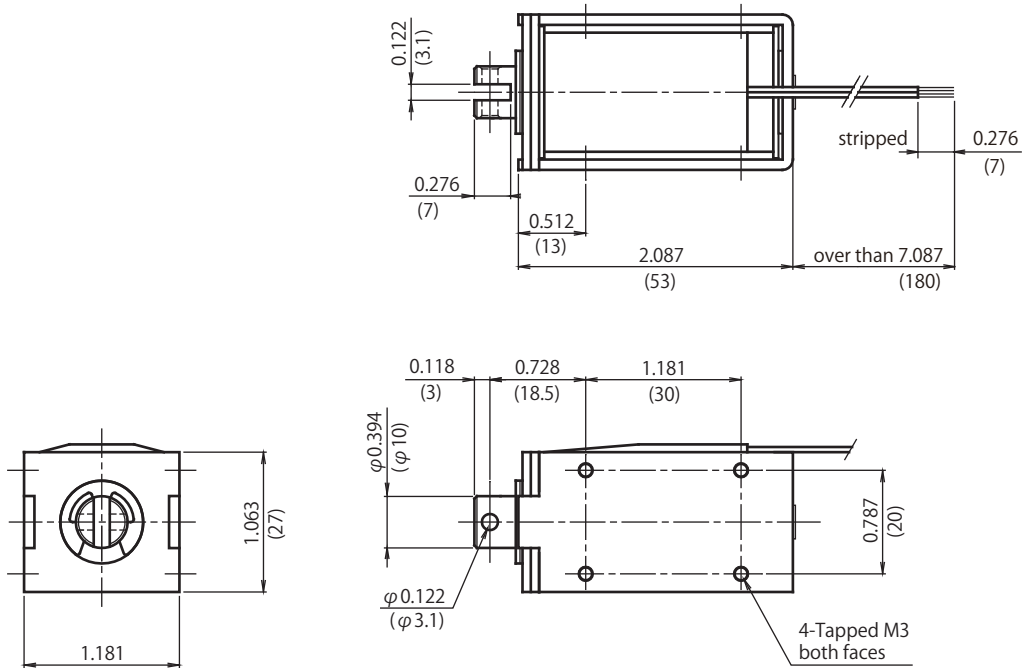
DC24V 20°C(68°F)





# CE1053

DIMENSIONS ARE  $\frac{\text{INCHES}}{\text{MILLIMETERS}}$



Adsorbed position

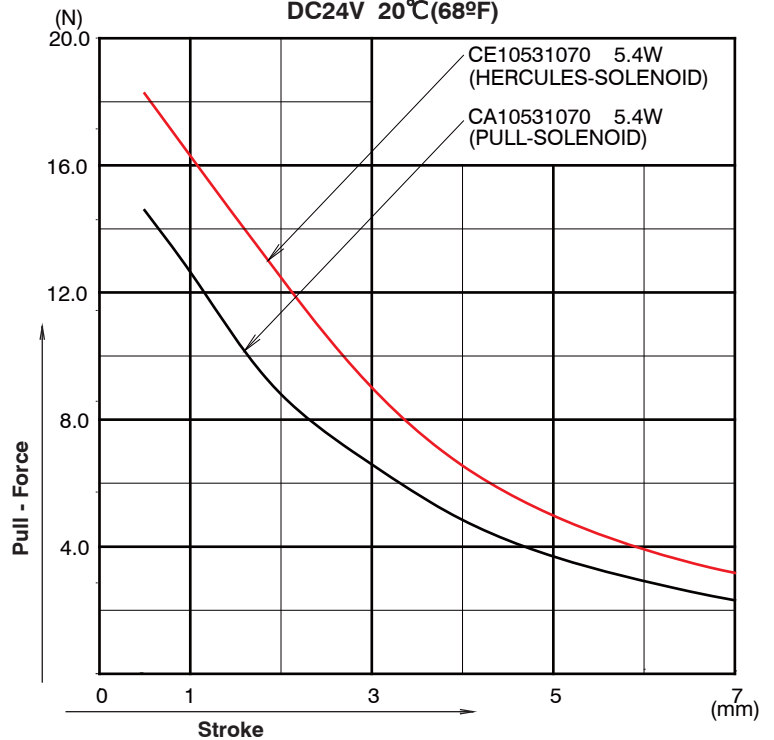
## Duty Cycle

Insulation Class A 105°C(221°F)

Part Number	Coil	Rated	Rated	Rated
	Resistance	DC6V	DC12V	DC24V
CE10531070	107 Ohms	-	-	100%

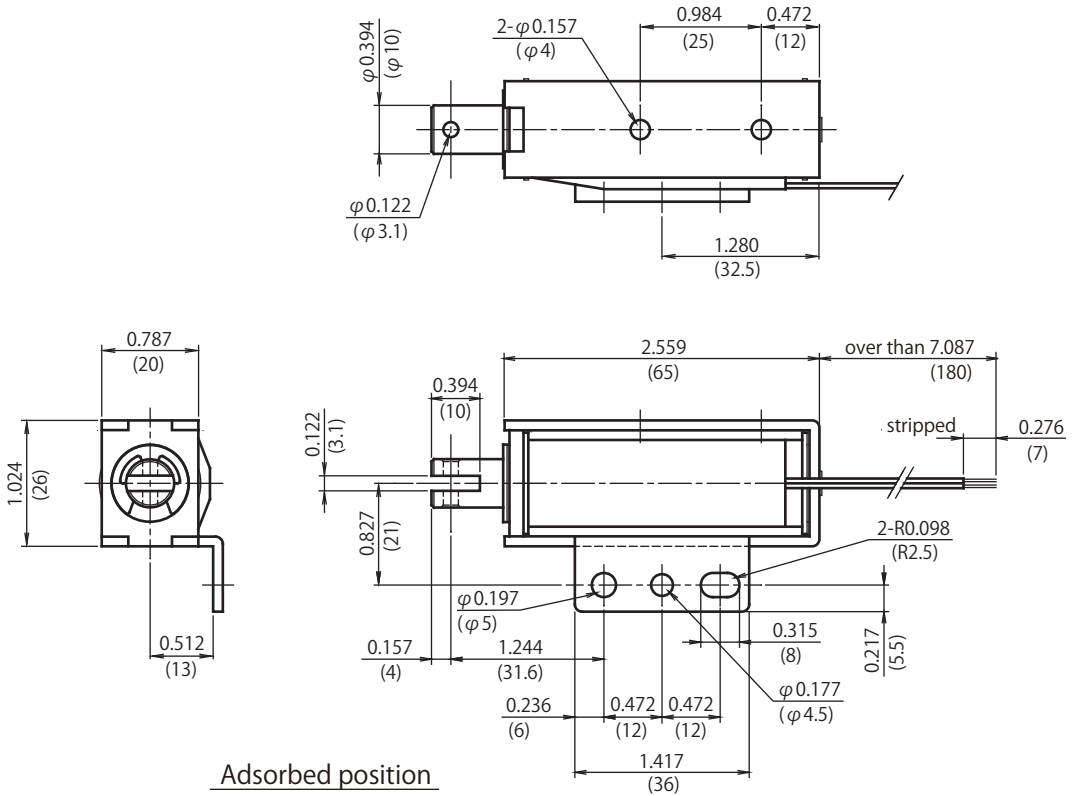
## Graph Force - Stroke

DC24V 20°C(68°F)



# CE1064

DIMENSIONS ARE  $\frac{\text{INCHES}}{\text{MILLIMETERS}}$



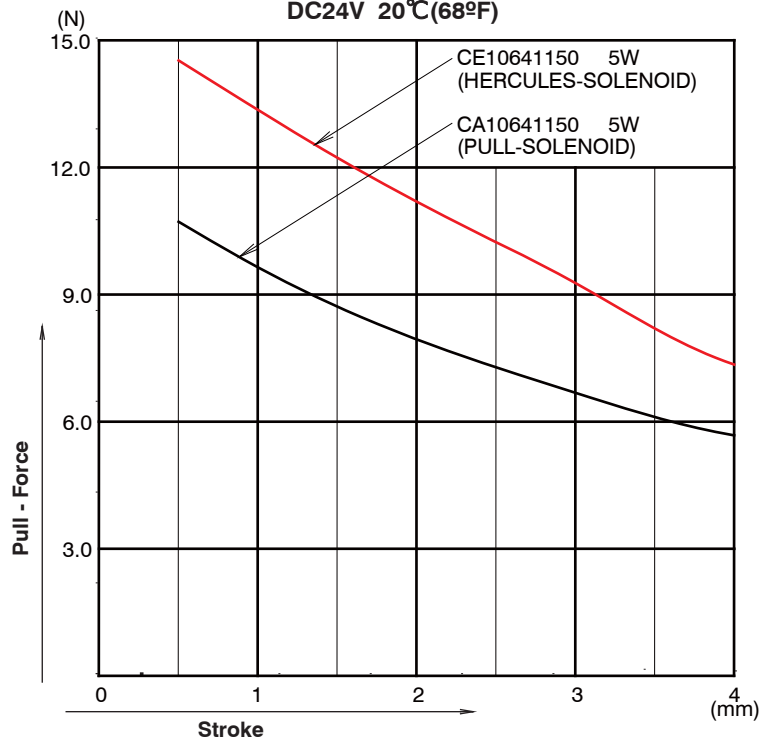
### Duty Cycle

Insulation Class A 105°C(221°F)

Part Number	Coil	Rated	Rated	Rated
	Resistance	DC6V	DC12V	DC24V
CE10641150	115 Ohms	-	-	100%

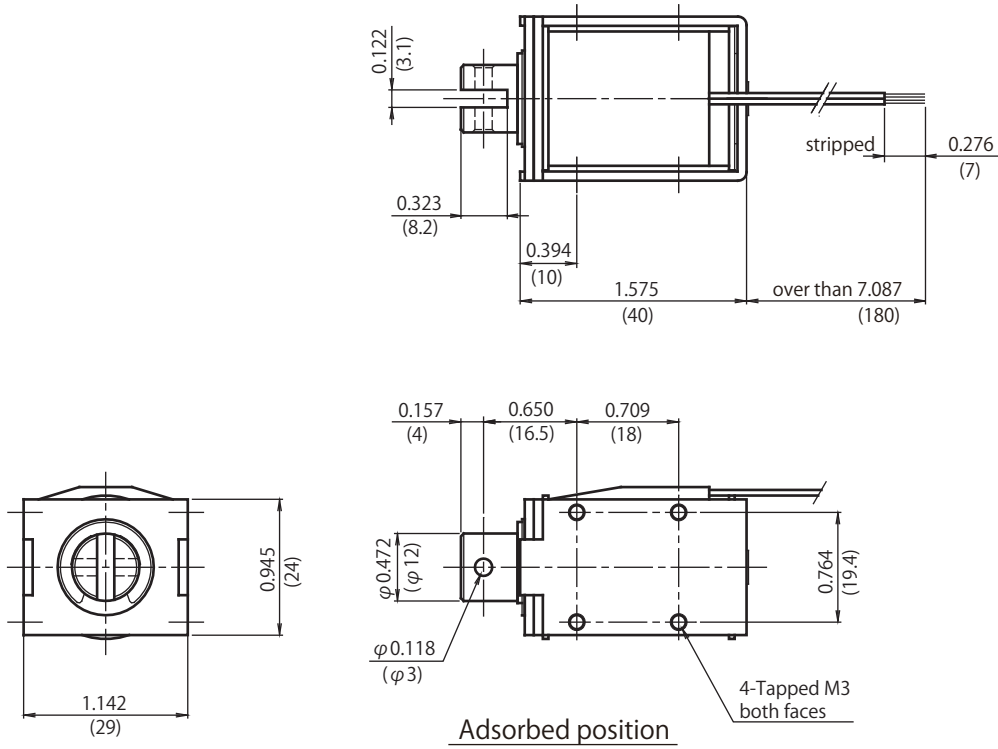
### Graph Force - Stroke

DC24V 20°C(68°F)



# CE1240

DIMENSIONS ARE  $\frac{\text{INCHES}}{\text{MILLIMETERS}}$



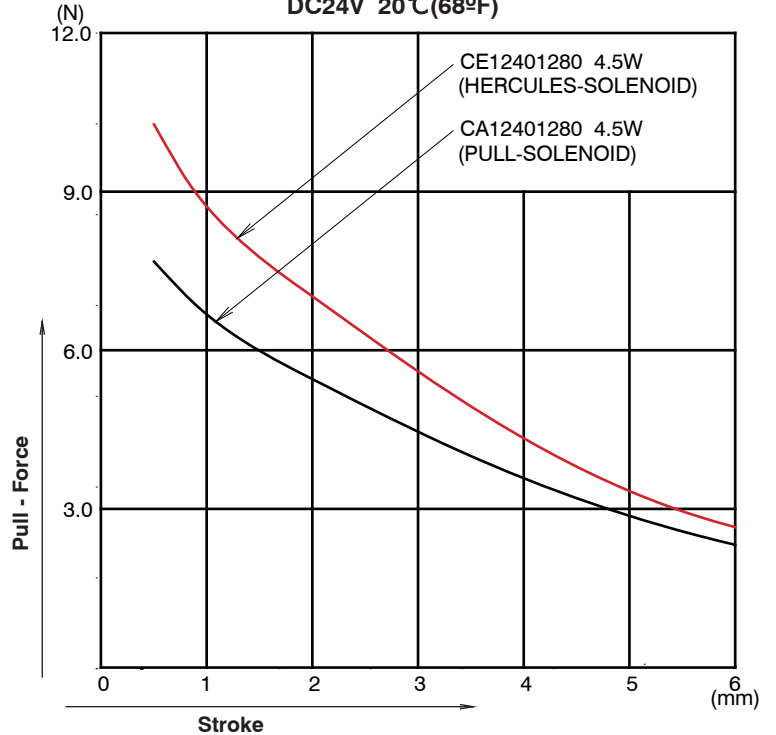
## Duty Cycle

Insulation Class A 105°C(221°F)

Part Number	Coil	Rated	Rated	Rated
	Resistance	DC6V	DC12V	DC24V
CE12401280	128 Ohms	-	-	100%

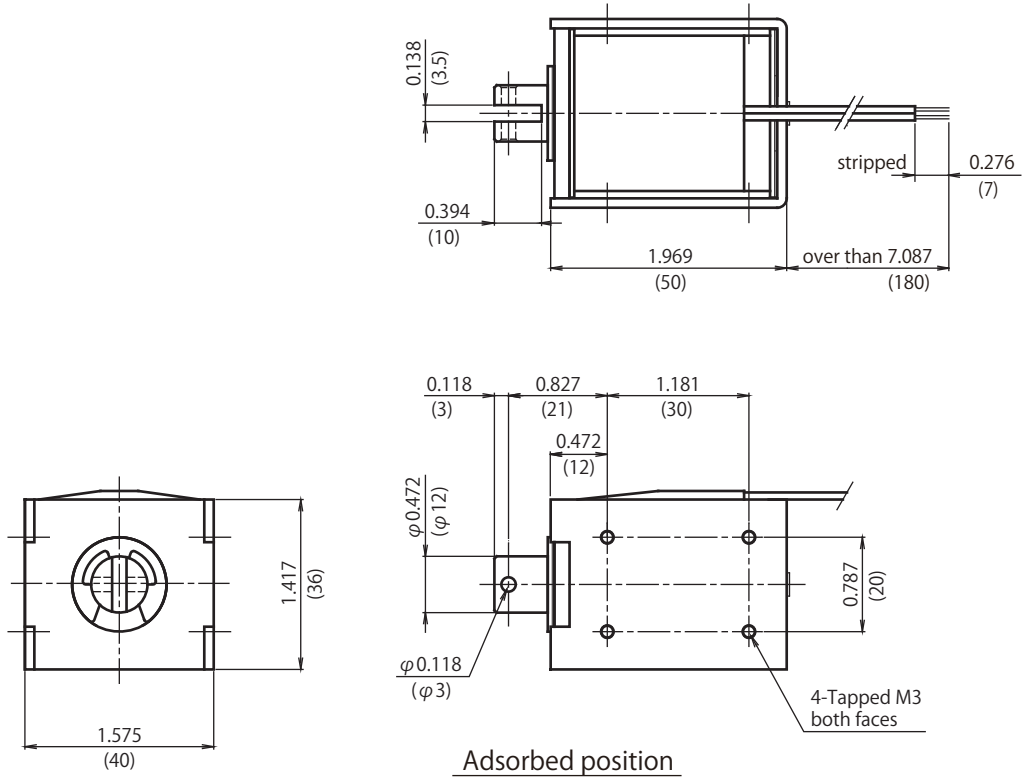
## Graph Force - Stroke

DC24V 20°C(68°F)



# CE1250

DIMENSIONS ARE  $\frac{\text{INCHES}}{\text{MILLIMETERS}}$



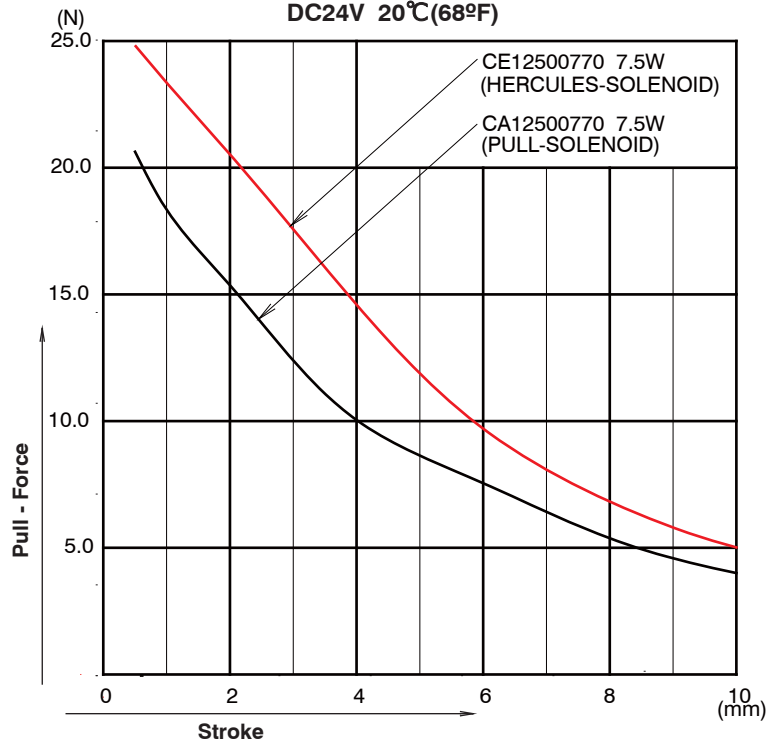
## Duty Cycle

Insulation Class A 105°C(221°F)

Part Number	Coil	Rated	Rated	Rated
	Resistance	DC6V	DC12V	DC24V
CE12500770	77 Ohms	-	-	100%

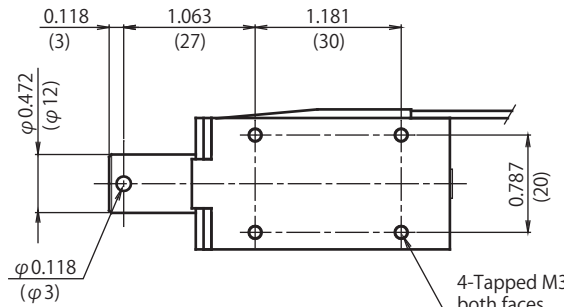
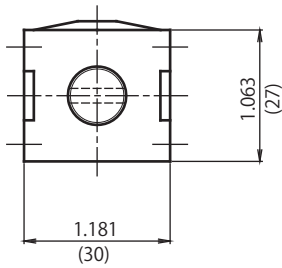
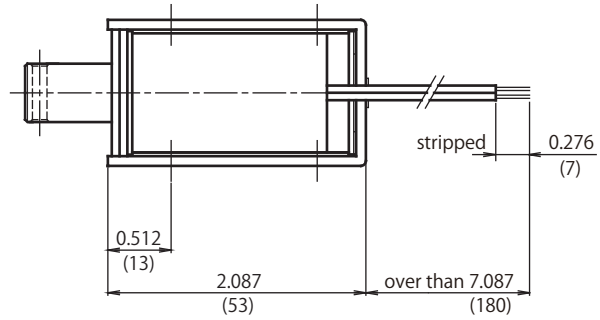
## Graph Force - Stroke

DC24V 20°C(68°F)



# CE1253

DIMENSIONS ARE  $\frac{\text{INCHES}}{\text{MILLIMETERS}}$



Adsorbed position

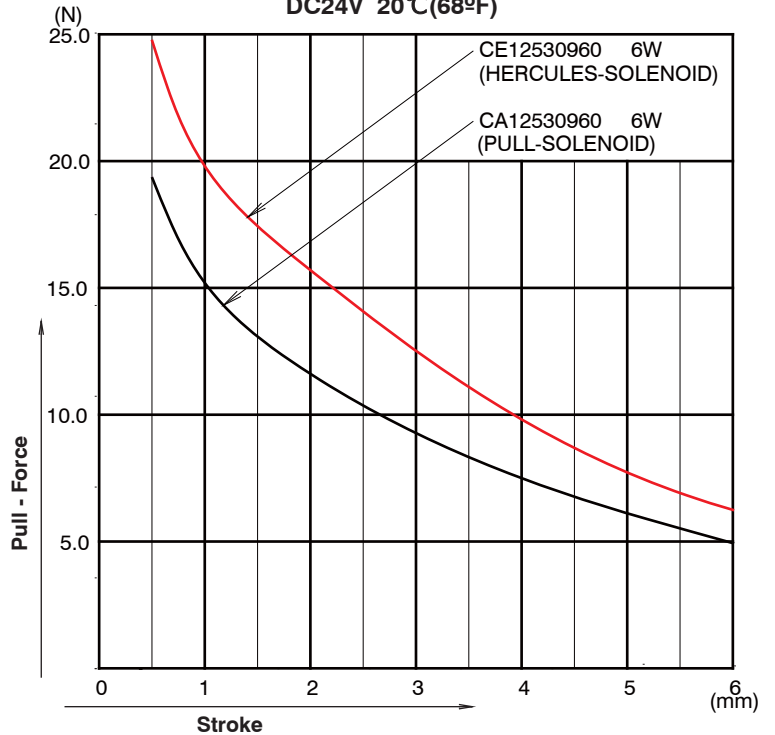
## Duty Cycle

Insulation Class A 105°C(221°F)

Part Number	Coil	Rated	Rated	Rated
	Resistance	DC6V	DC12V	DC24V
CE12530960	96 Ohms	-	-	100%

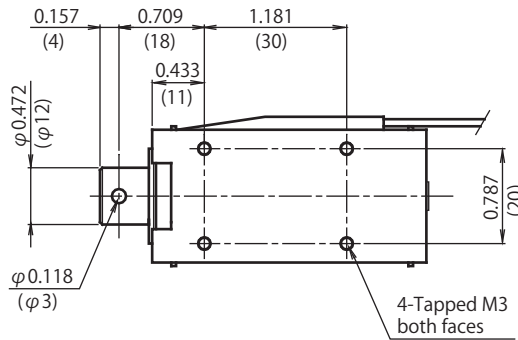
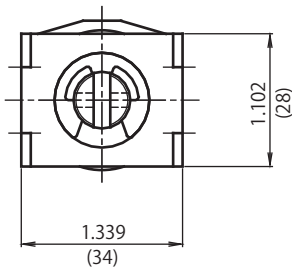
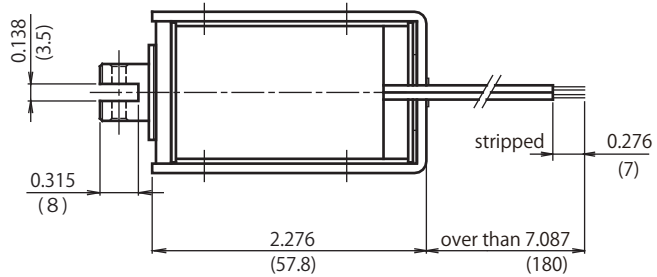
## Graph Force - Stroke

DC24V 20°C(68°F)



# CE1257

DIMENSIONS ARE  $\frac{\text{INCHES}}{\text{MILLIMETERS}}$



Adsorbed position

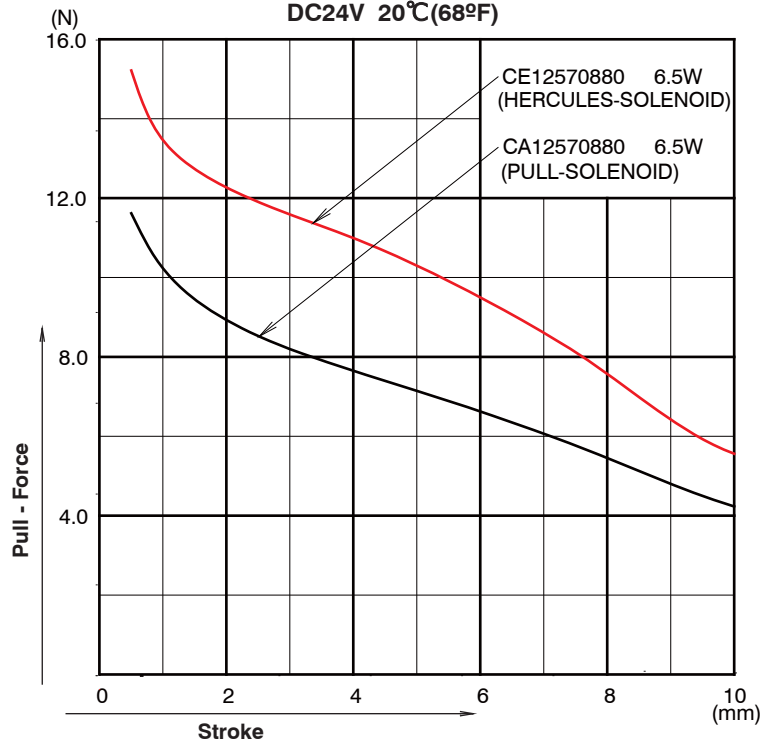
## Duty Cycle

Insulation Class A 105°C(221°F)

Part Number	Coil	Rated	Rated	Rated
	Resistance	DC6V	DC12V	DC24V
CE12570880	88 Ohms	-	-	100%

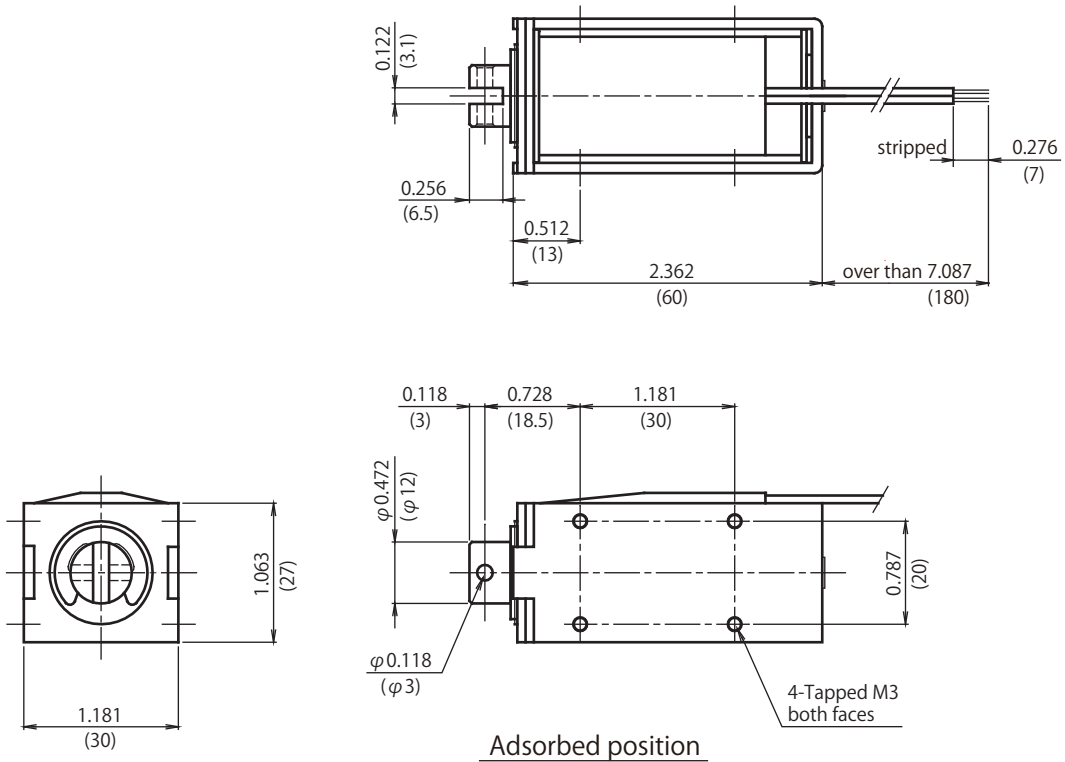
## Graph Force - Stroke

DC24V 20°C(68°F)



# CE1260

DIMENSIONS ARE  $\frac{\text{INCHES}}{\text{MILLIMETERS}}$



## Duty Cycle

Insulation Class A 105°C(221°F)

Part Number	Coil	Rated	Rated	Rated
	Resistance	DC6V	DC12V	DC24V
CE12601030	103 Ohms	-	-	100%

## Graph Force - Stroke

DC24V 20°C(68°F)

