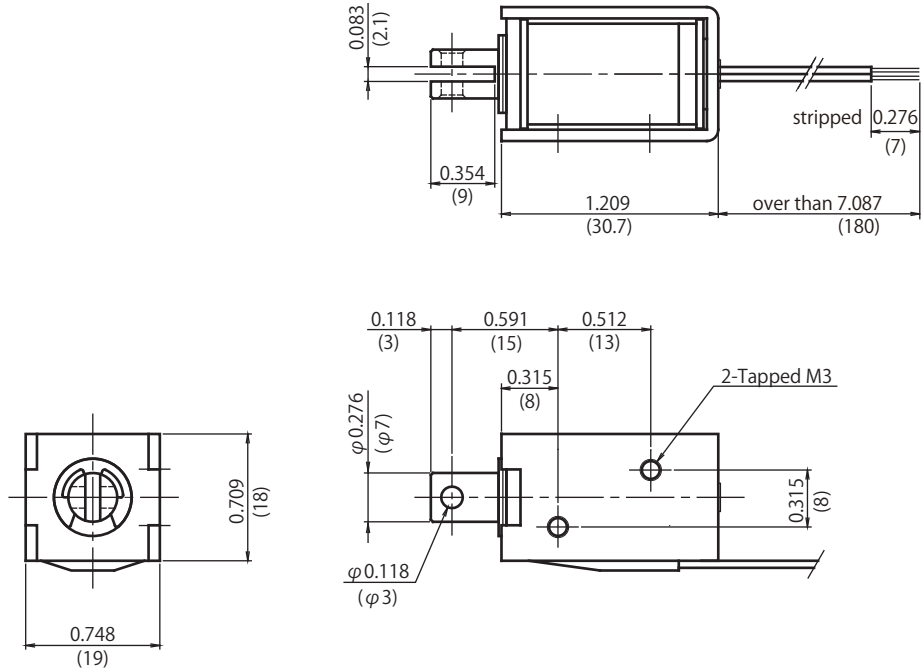


CE0730

DIMENSIONS ARE $\frac{\text{INCHES}}{\text{MILLIMETERS}}$



Adsorbed position

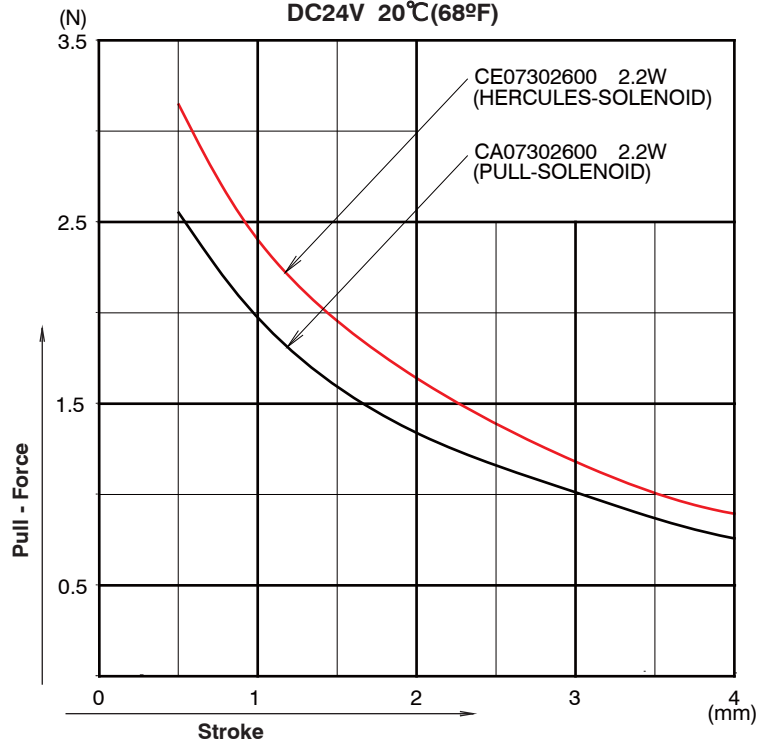
Duty Cycle

Insulation Class A 105°C(221°F)

Part Number	Coil	Rated	Rated	Rated
	Resistance	DC6V	DC12V	DC24V
CE07302600	260 Ohms	-	-	100%

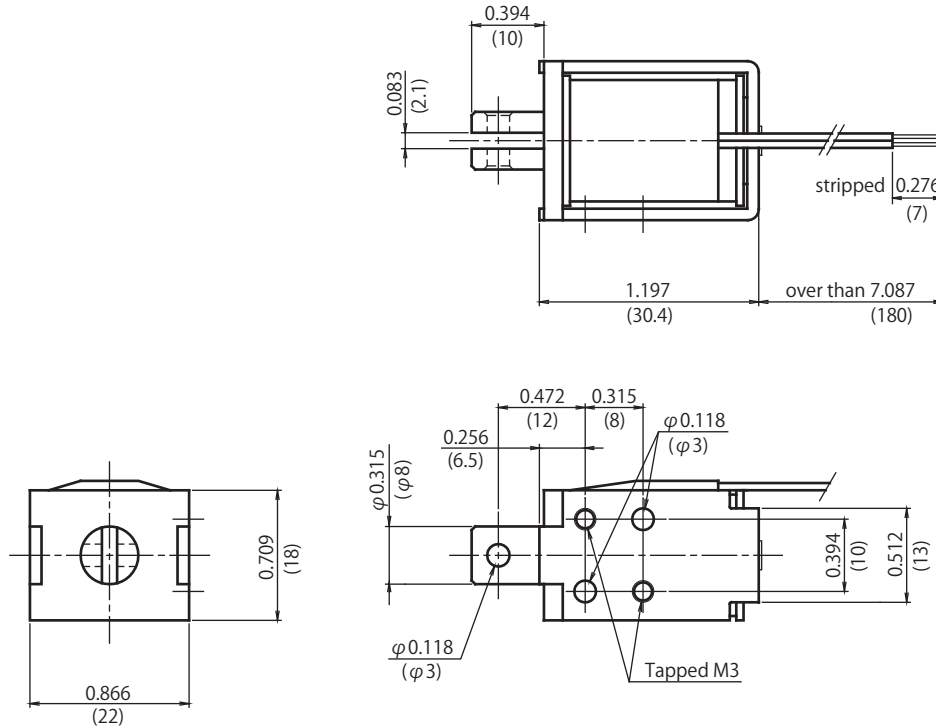
Graph Force - Stroke

DC24V 20°C(68°F)



CE0830

DIMENSIONS ARE $\frac{\text{INCHES}}{\text{MILLIMETERS}}$



Adsorbed position

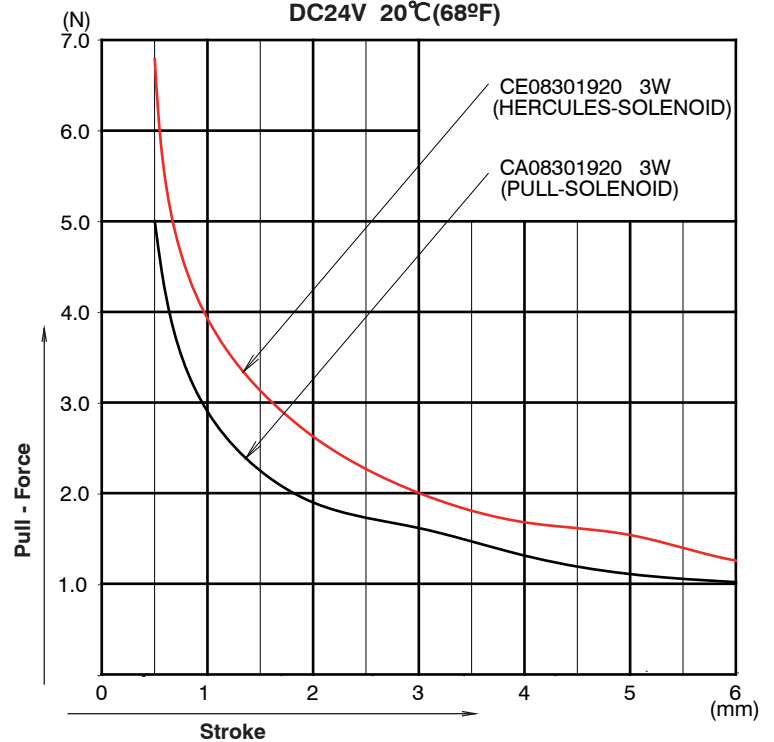
Duty Cycle

Insulation Class A 105°C(221°F)

Part Number	Coil	Rated	Rated	Rated
	Resistance	DC6V	DC12V	DC24V
CE08301920	192 Ohms	-	-	100%

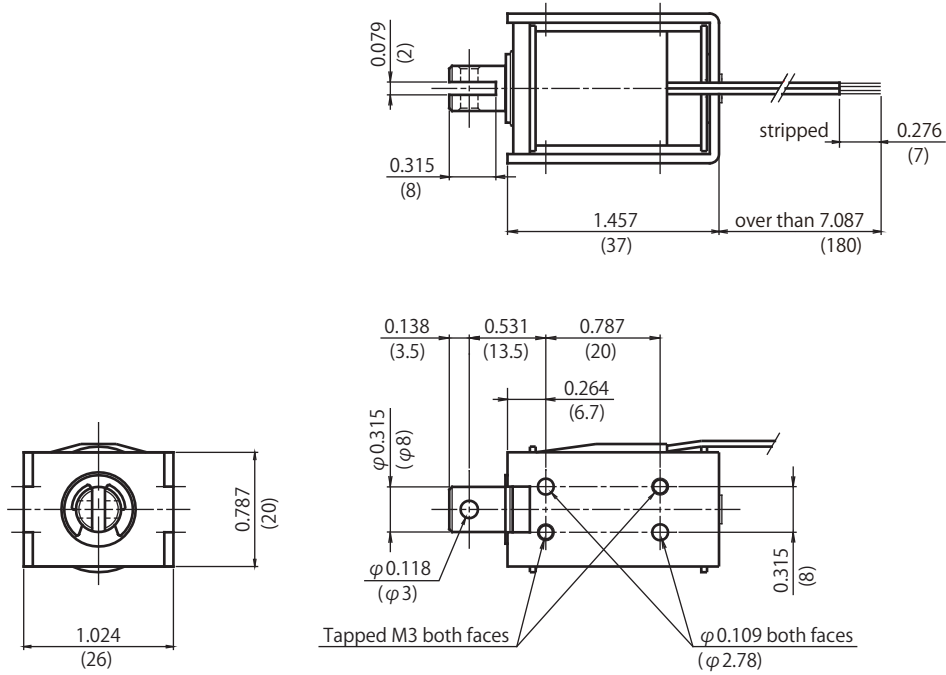
Graph Force - Stroke

DC24V 20°C(68°F)



CE0837

DIMENSIONS ARE $\frac{\text{INCHES}}{\text{MILLIMETERS}}$



Adsorbed position

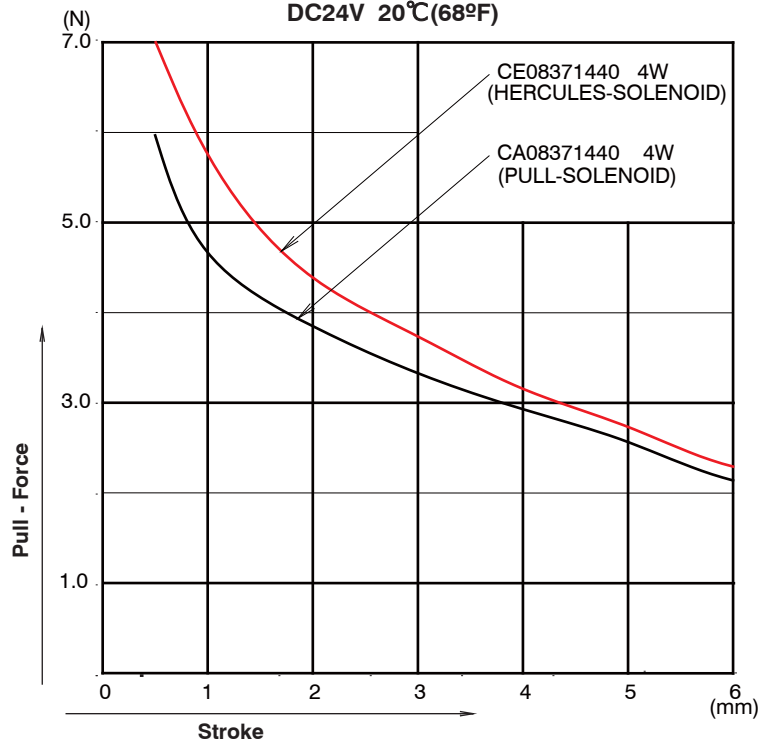
Duty Cycle

Insulation Class A 105°C(221°F)

Part Number	Coil	Rated	Rated	Rated
	Resistance	DC6V	DC12V	DC24V
CE08371440	144 Ohms	-	-	100%

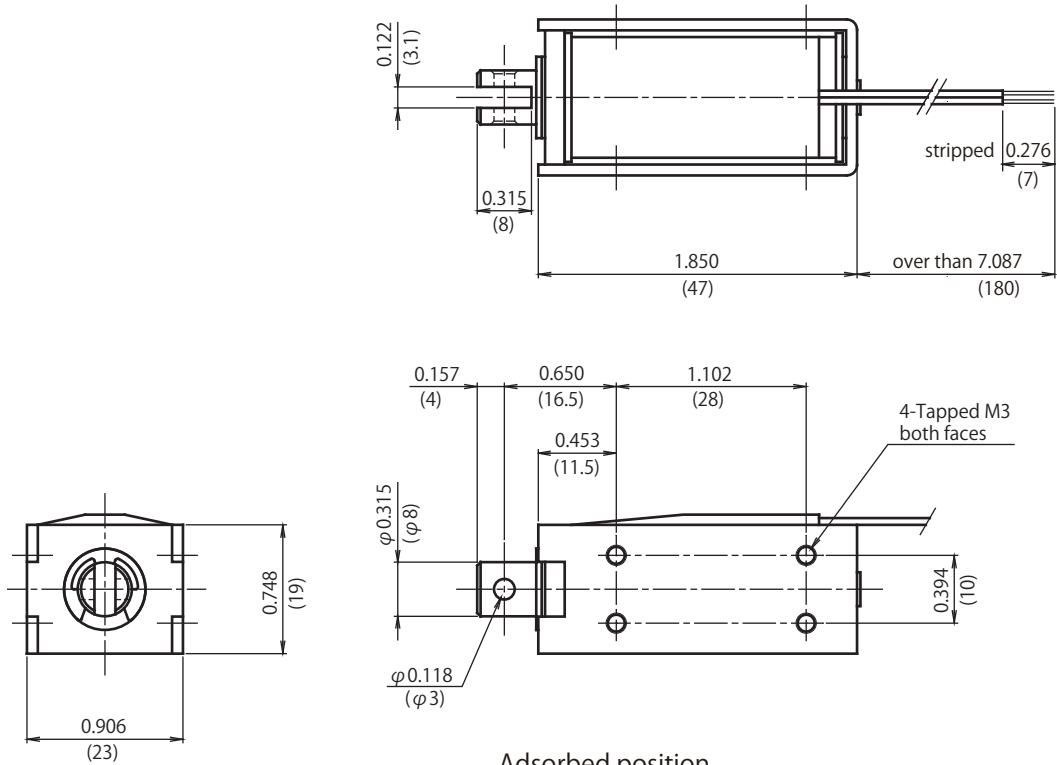
Graph Force - Stroke

DC24V 20°C(68°F)



CE0847

DIMENSIONS ARE $\frac{\text{INCHES}}{\text{MILLIMETERS}}$



Adsorbed position

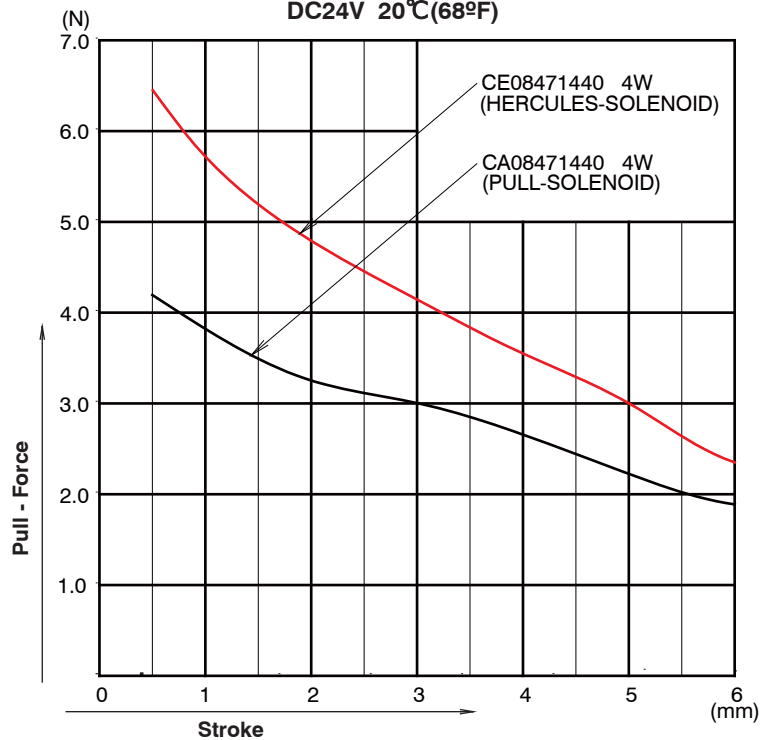
Duty Cycle

Insulation Class A 105°C(221°F)

Part Number	Coil	Rated	Rated	Rated
	Resistance	DC6V	DC12V	DC24V
CE08471440	144 Ohms	-	-	100%

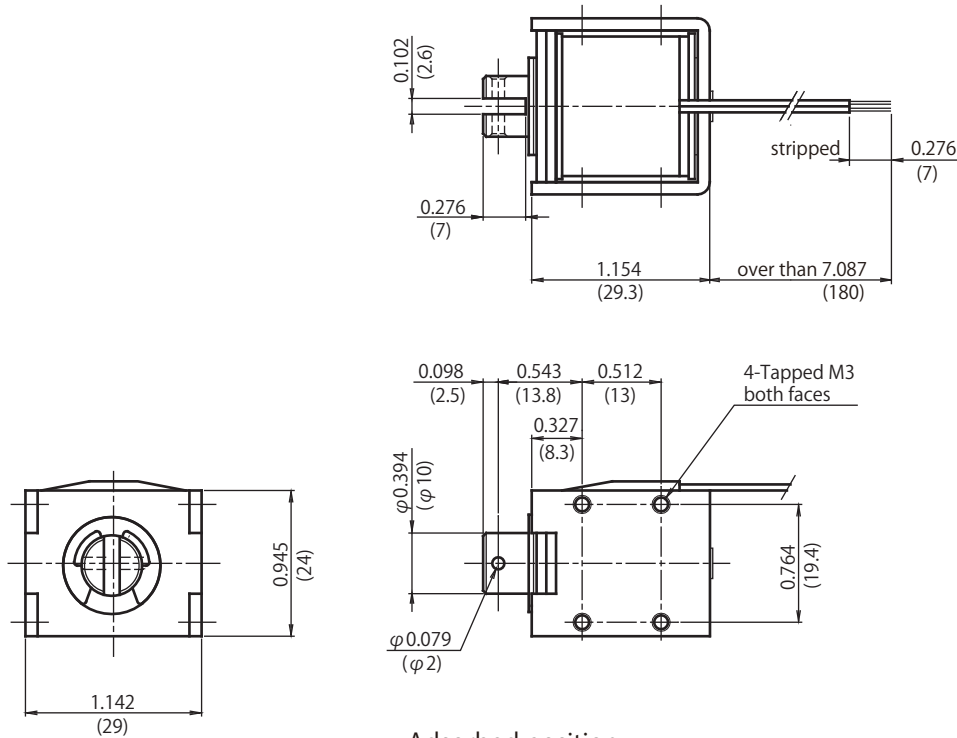
Graph Force - Stroke

DC24V 20°C(68°F)



CE1029

DIMENSIONS ARE $\frac{\text{INCHES}}{\text{MILLIMETERS}}$



Adsorbed position

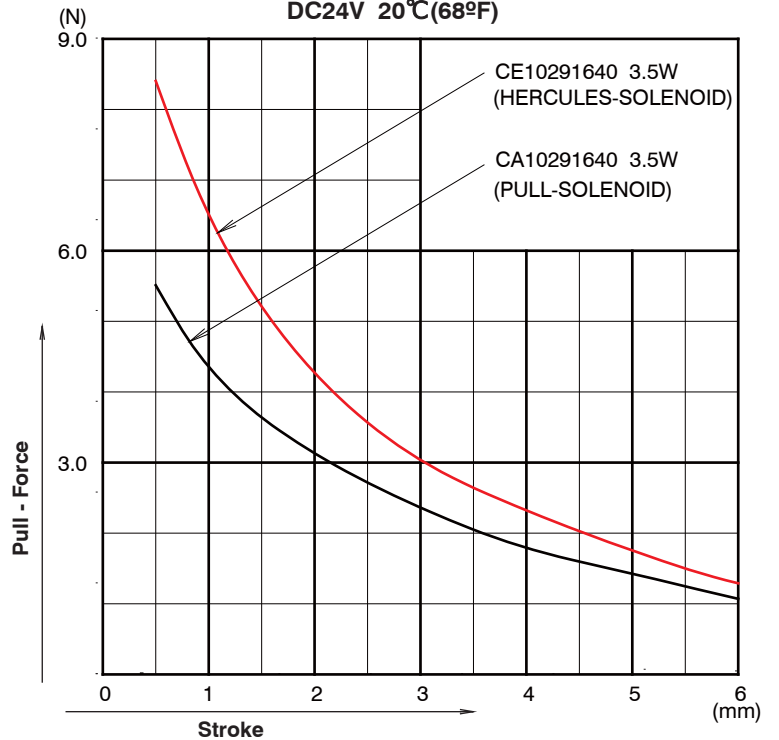
Duty Cycle

Insulation Class A 105°C(221°F)

Part Number	Coil	Rated	Rated	Rated
	Resistance	DC6V	DC12V	DC24V
CE10291640	164 Ohms	-	-	100%

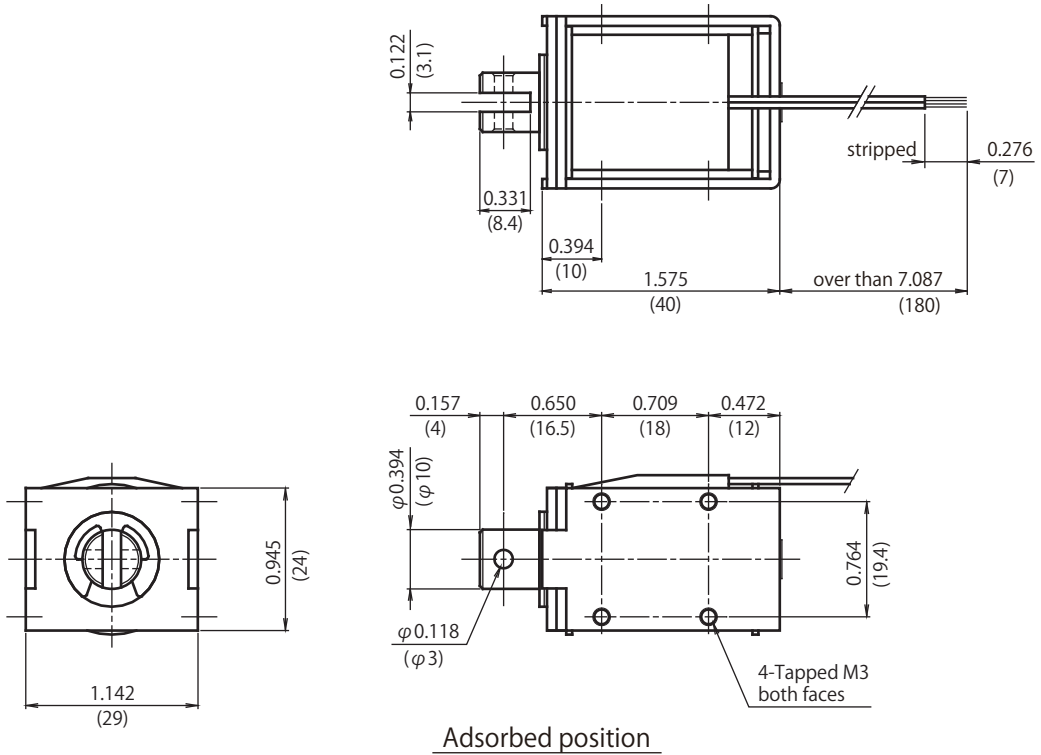
Graph Force - Stroke

DC24V 20°C(68°F)



CE1040

DIMENSIONS ARE $\frac{\text{INCHES}}{\text{MILLIMETERS}}$



Adsorbed position

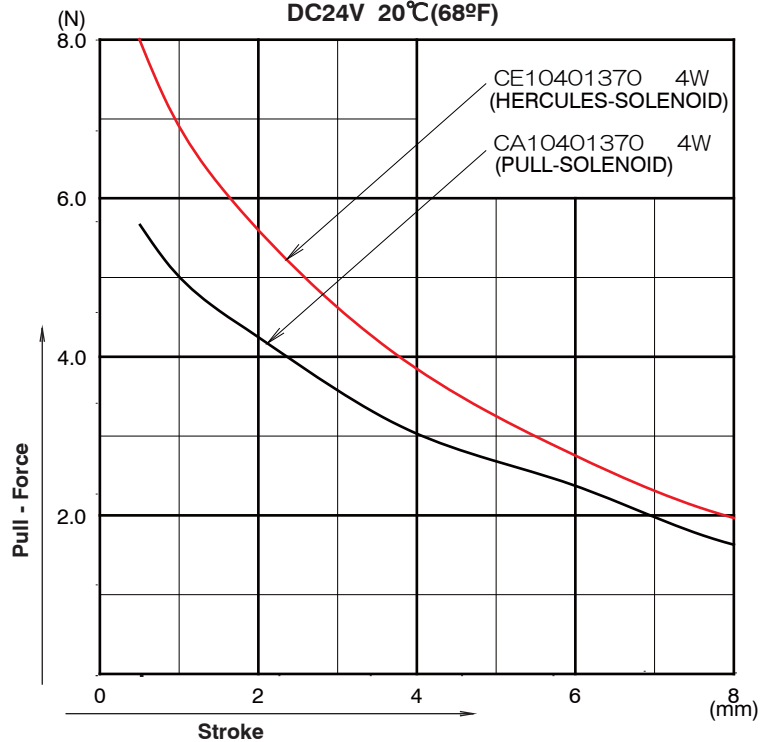
Duty Cycle

Insulation Class A 105°C(221°F)

Part Number	Coil	Rated	Rated	Rated
	Resistance	DC6V	DC12V	DC24V
CE10401370	137 Ohms	-	-	100%

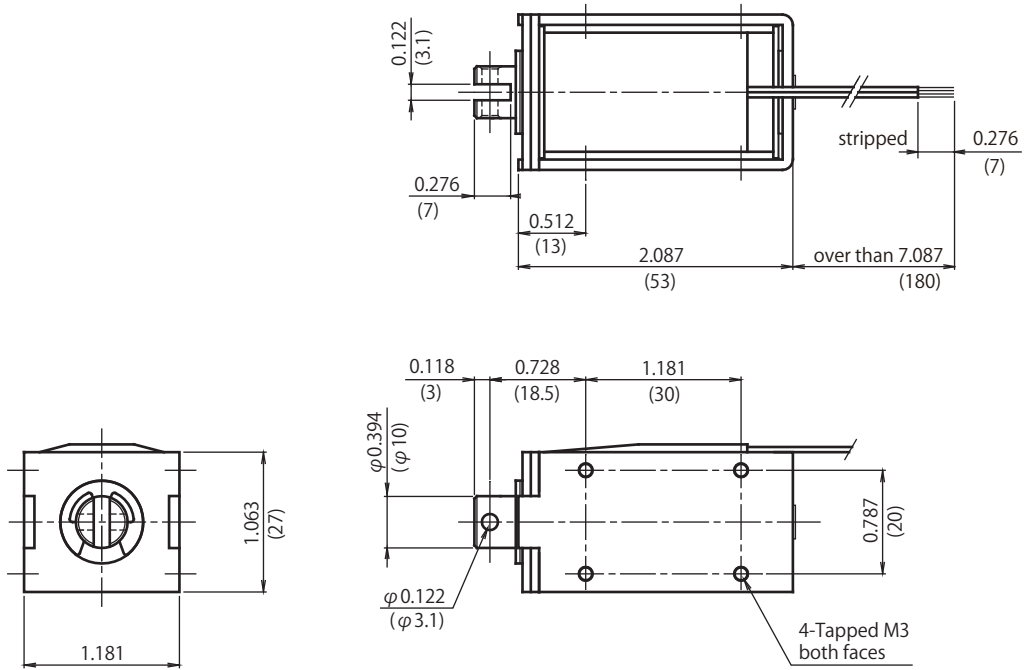
Graph Force - Stroke

DC24V 20°C(68°F)



CE1053

DIMENSIONS ARE $\frac{\text{INCHES}}{\text{MILLIMETERS}}$



Adsorbed position

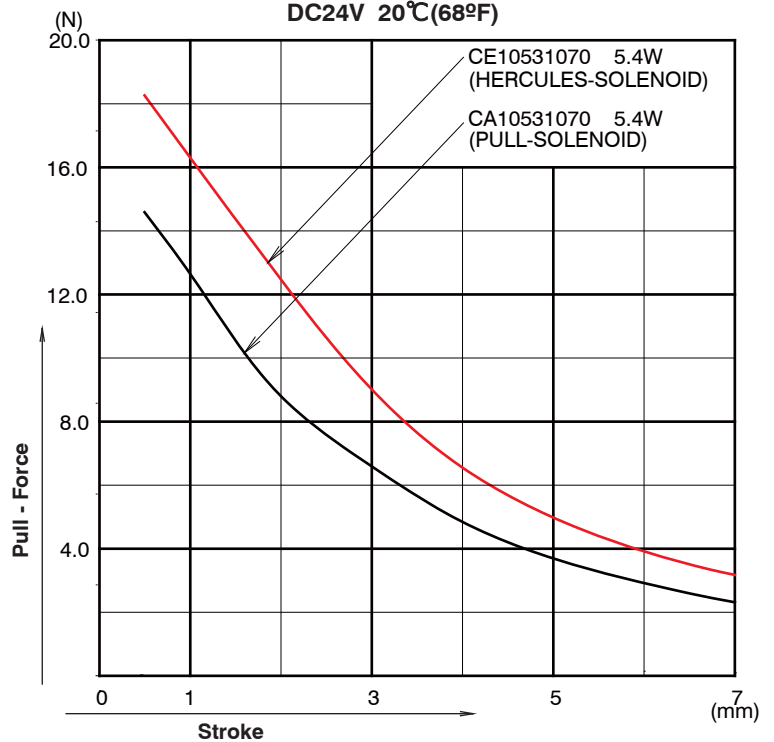
Duty Cycle

Insulation Class A 105°C(221°F)

Part Number	Coil	Rated	Rated	Rated
	Resistance	DC6V	DC12V	DC24V
CE10531070	107 Ohms	-	-	100%

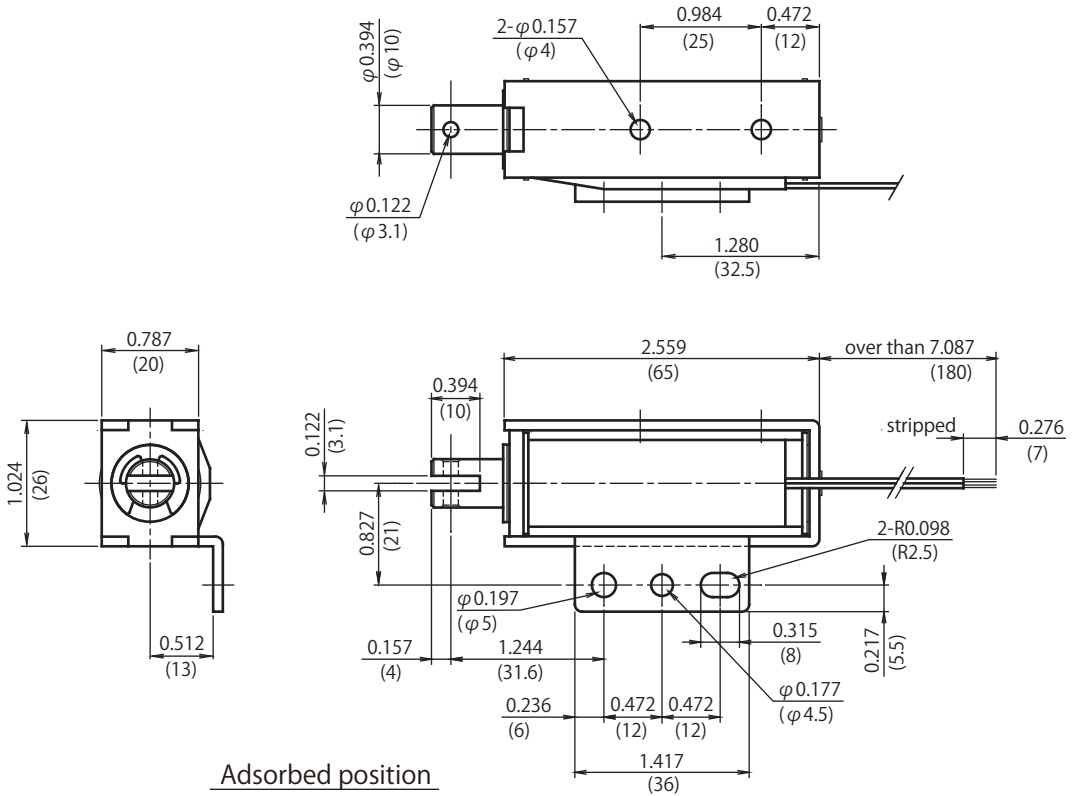
Graph Force - Stroke

DC24V 20°C(68°F)



CE1064

DIMENSIONS ARE $\frac{\text{INCHES}}{\text{MILLIMETERS}}$



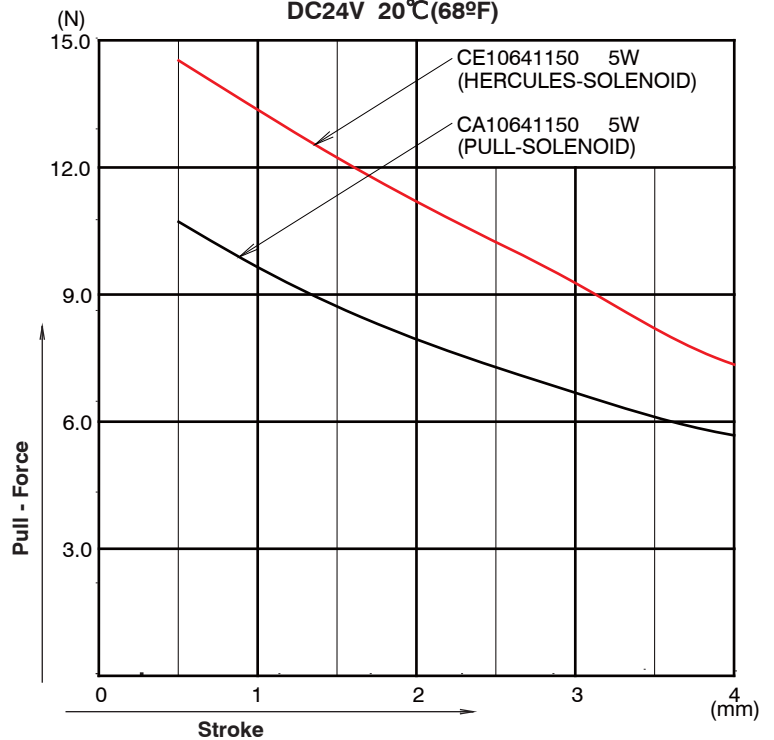
Duty Cycle

Insulation Class A 105°C(221°F)

Part Number	Coil	Rated	Rated	Rated
	Resistance	DC6V	DC12V	DC24V
CE10641150	115 Ohms	-	-	100%

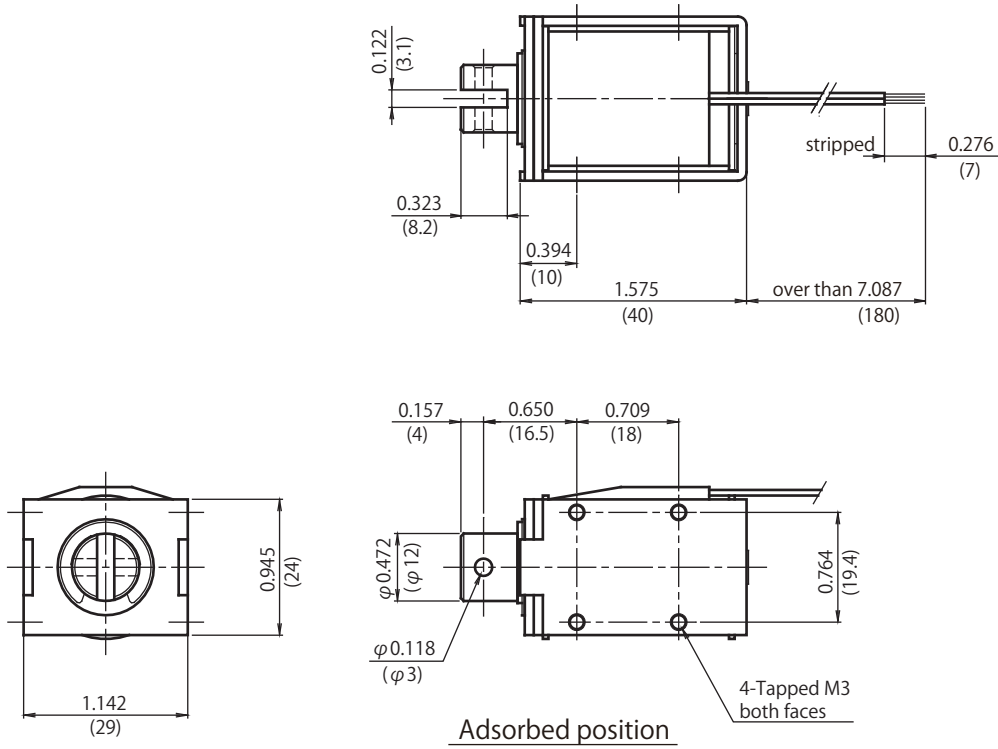
Graph Force - Stroke

DC24V 20°C(68°F)



CE1240

DIMENSIONS ARE $\frac{\text{INCHES}}{\text{MILLIMETERS}}$



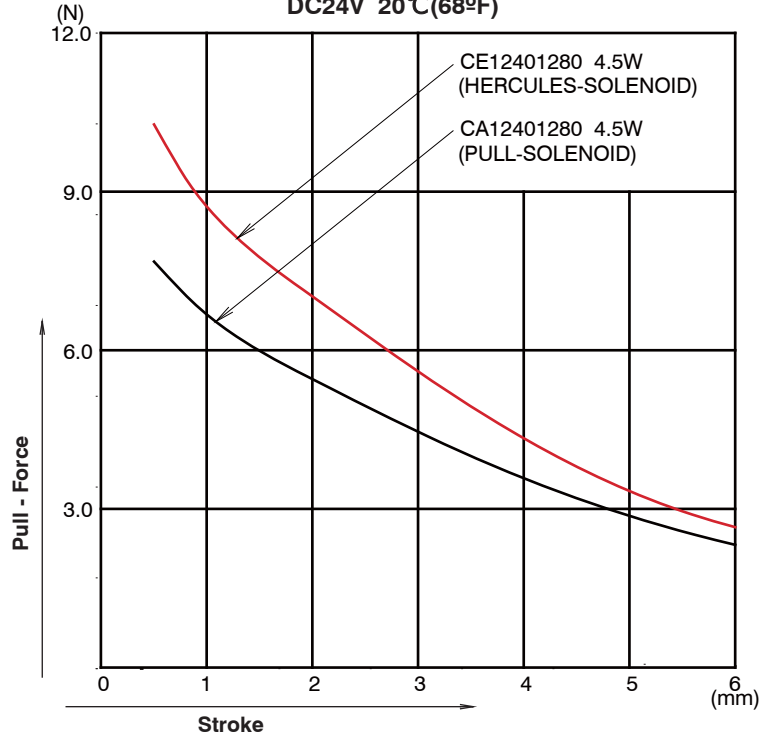
Duty Cycle

Insulation Class A 105°C(221°F)

Part Number	Coil	Rated	Rated	Rated
	Resistance	DC6V	DC12V	DC24V
CE12401280	128 Ohms	-	-	100%

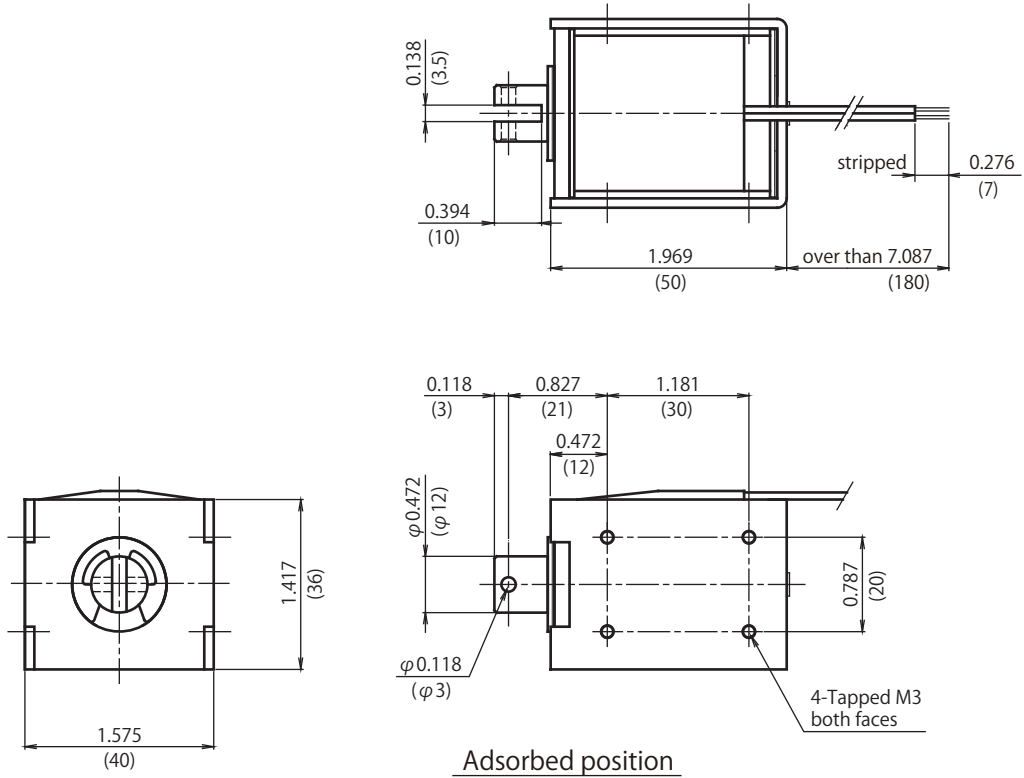
Graph Force - Stroke

DC24V 20°C(68°F)



CE1250

DIMENSIONS ARE $\frac{\text{INCHES}}{\text{MILLIMETERS}}$



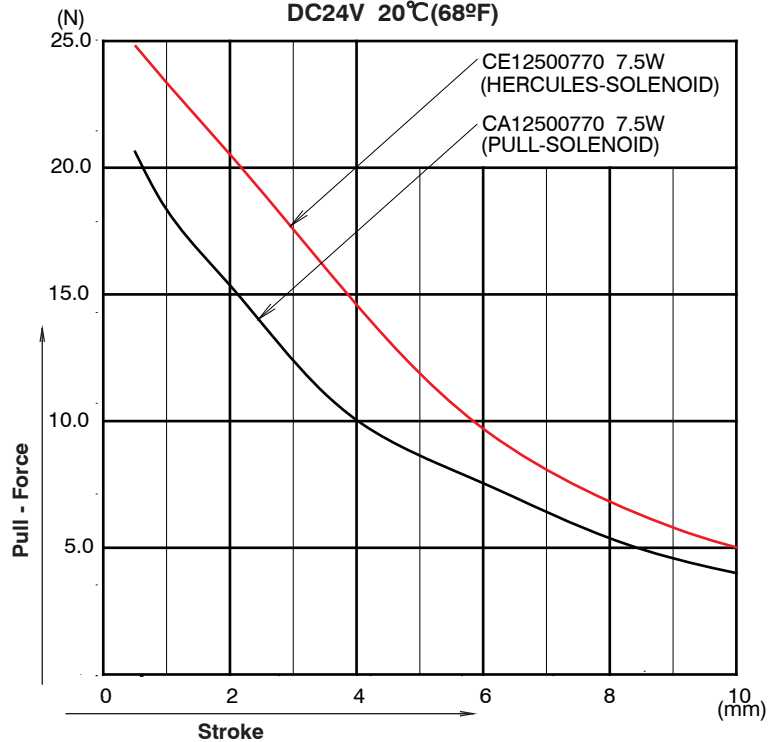
Duty Cycle

Insulation Class A 105°C(221°F)

Part Number	Coil	Rated	Rated	Rated
	Resistance	DC6V	DC12V	DC24V
CE12500770	77 Ohms	-	-	100%

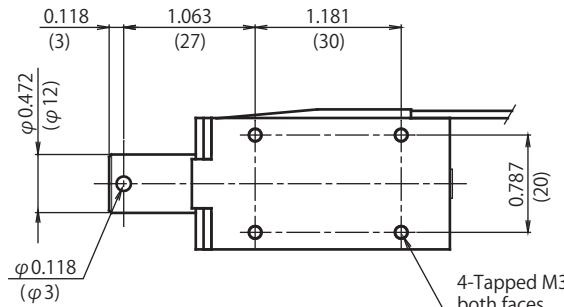
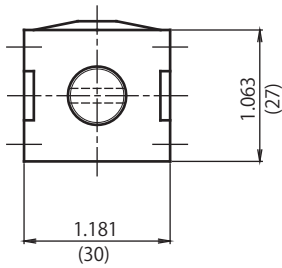
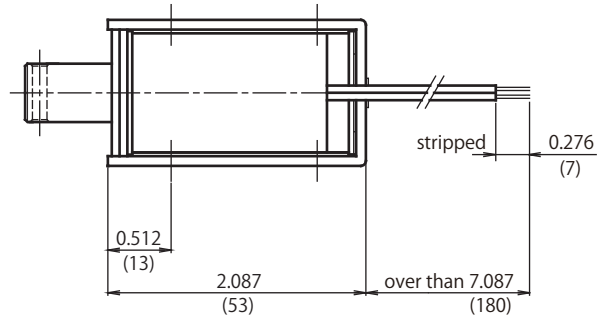
Graph Force - Stroke

DC24V 20°C(68°F)



CE1253

DIMENSIONS ARE $\frac{\text{INCHES}}{\text{MILLIMETERS}}$



Adsorbed position

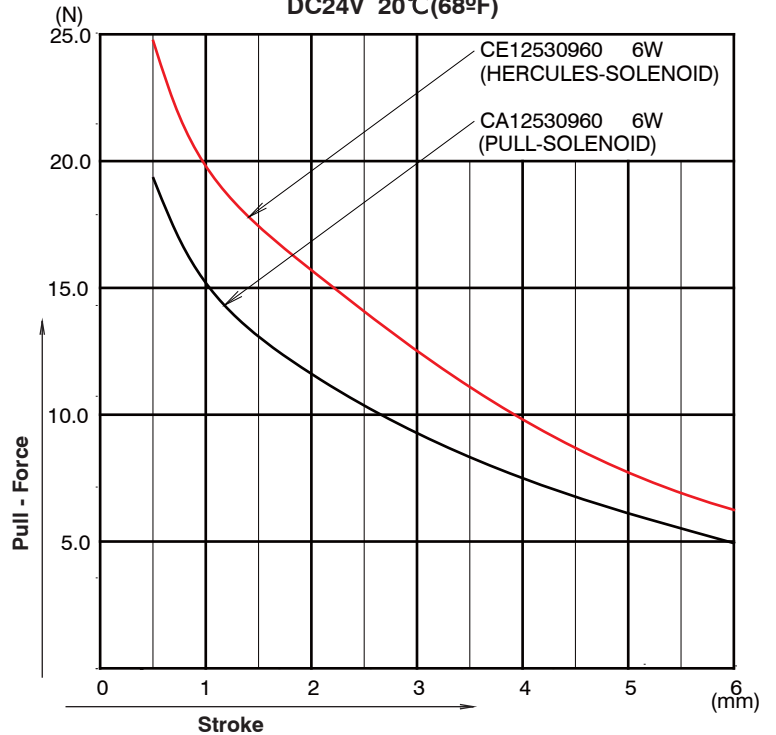
Duty Cycle

Insulation Class A 105°C(221°F)

Part Number	Coil	Rated	Rated	Rated
	Resistance	DC6V	DC12V	DC24V
CE12530960	96 Ohms	-	-	100%

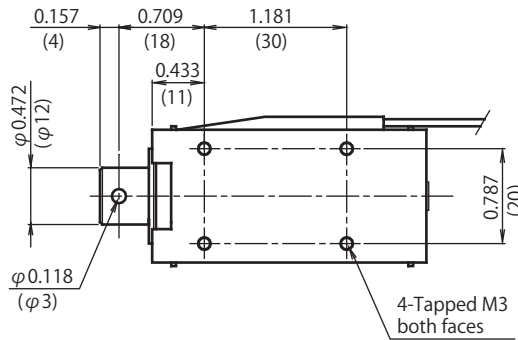
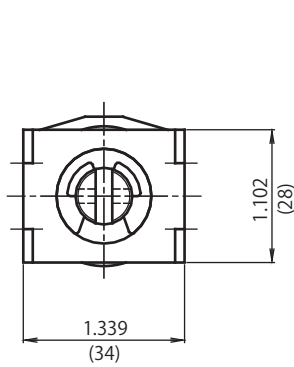
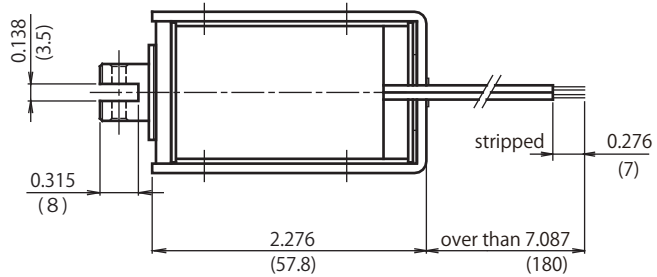
Graph Force - Stroke

DC24V 20°C(68°F)



CE1257

DIMENSIONS ARE $\frac{\text{INCHES}}{\text{MILLIMETERS}}$



Adsorbed position

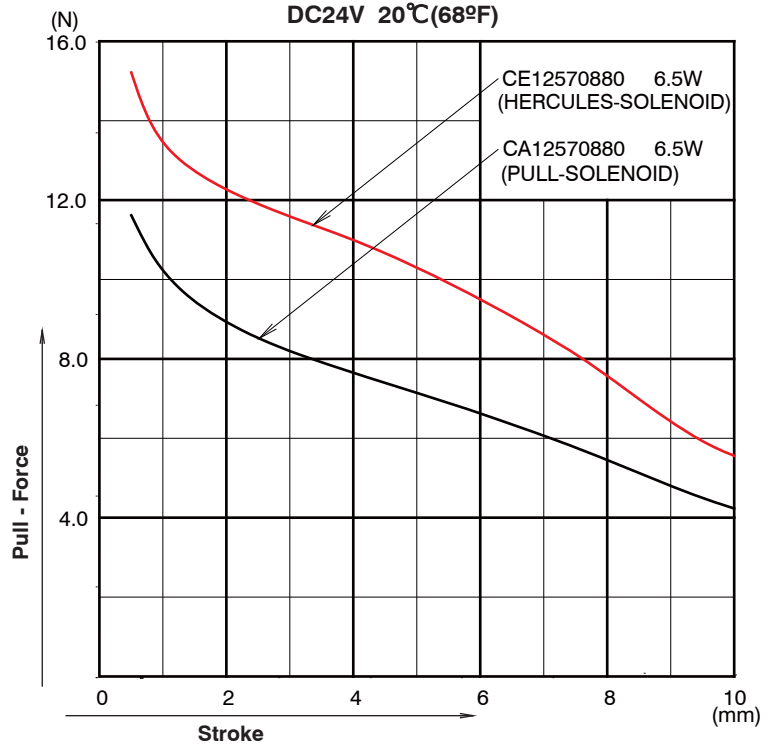
Duty Cycle

Insulation Class A 105°C(221°F)

Part Number	Coil	Rated	Rated	Rated
	Resistance	DC6V	DC12V	DC24V
CE12570880	88 Ohms	-	-	100%

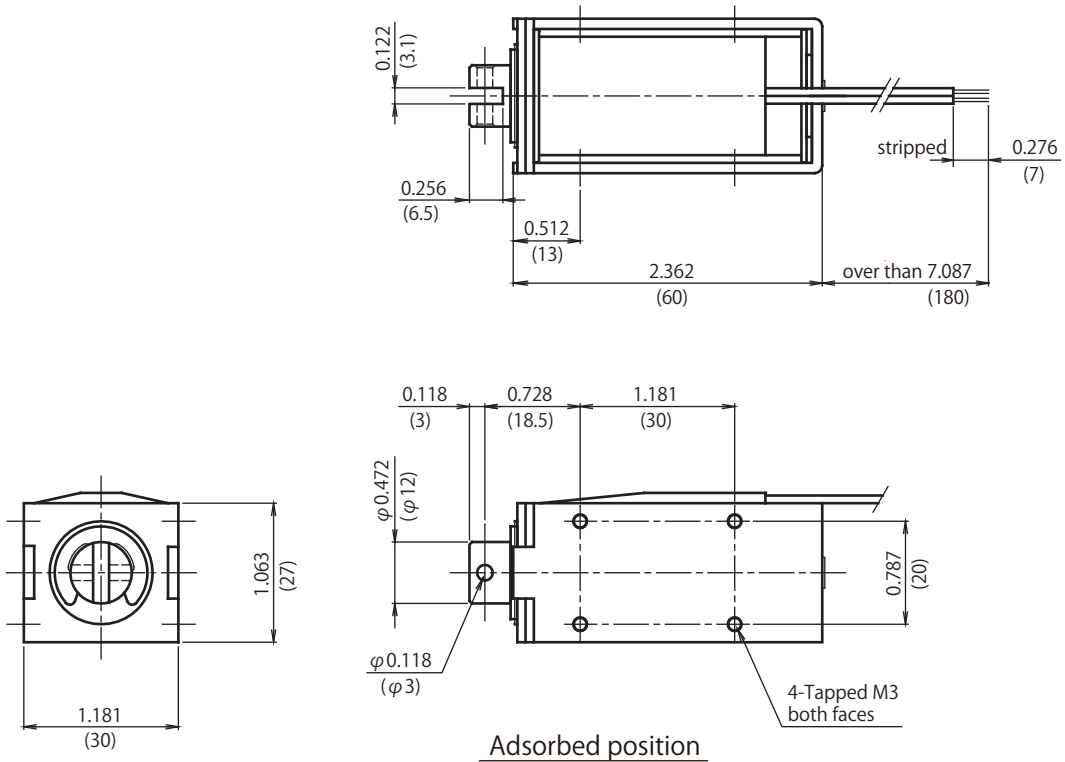
Graph Force - Stroke

DC24V 20°C(68°F)



CE1260

DIMENSIONS ARE $\frac{\text{INCHES}}{\text{MILLIMETERS}}$



Duty Cycle

Insulation Class A 105°C(221°F)

Part Number	Coil	Rated	Rated	Rated
	Resistance	DC6V	DC12V	DC24V
CE12601030	103 Ohms	-	-	100%

Graph Force - Stroke

DC24V 20°C(68°F)

