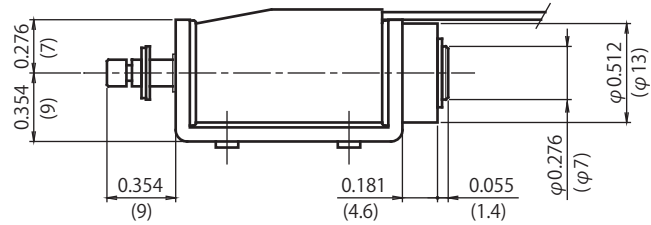
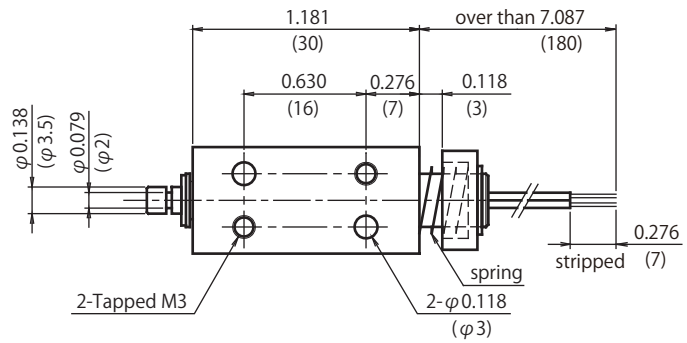
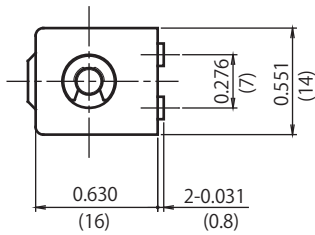


# CB0730

DIMENSIONS ARE  $\frac{\text{INCHES}}{\text{MILLIMETERS}}$



ON: Stroke 0



OFF: Stroke 0.118  
(3)

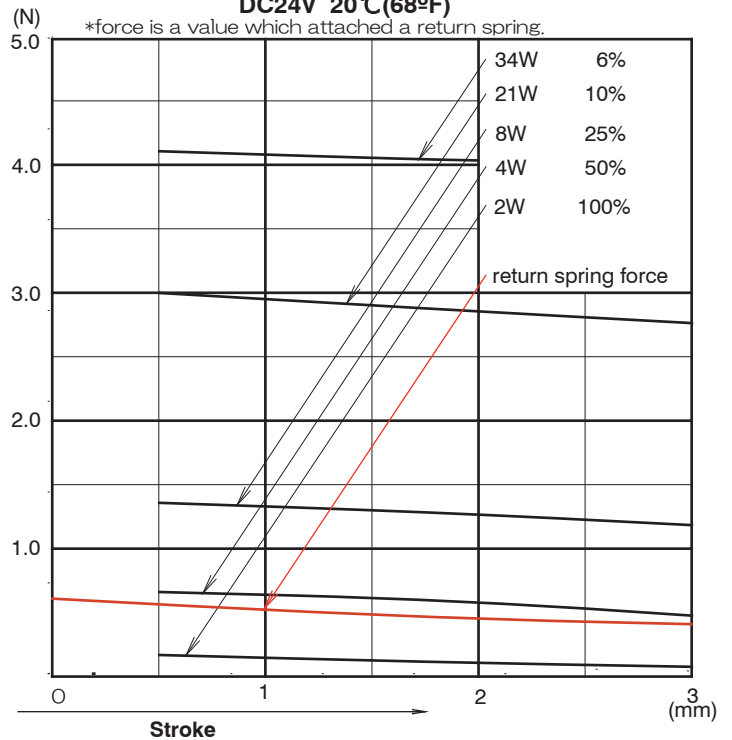
## Duty Cycle

Insulation Class A 105°C(221°F)

Part Number	Coil	Rated	Rated	Rated
	Resistance	DC6V	DC12V	DC24V
CB07300170	17 Ohms	100%	25%	6%
CB07300270	27 Ohms	-	40%	10%
CB07300690	69 Ohms	-	100%	25%
CB07301370	137 Ohms	-	-	50%
CB07302740	274 Ohms	-	-	100%

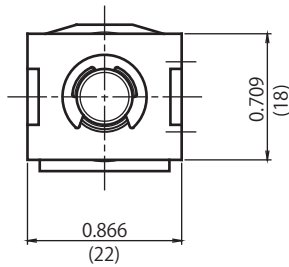
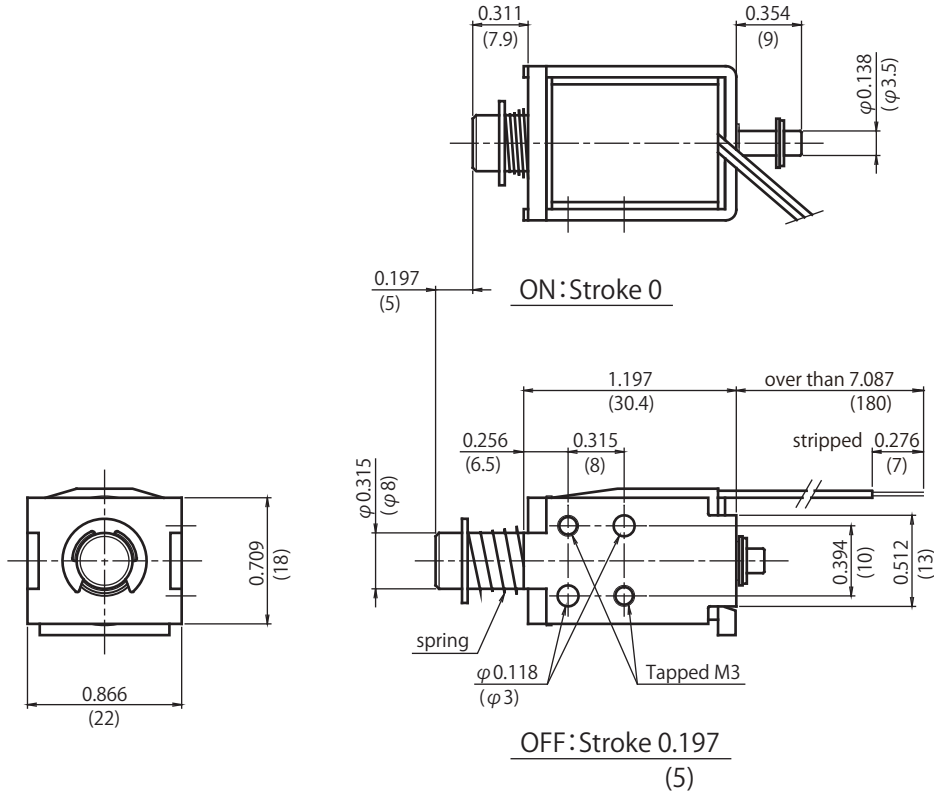
## Graph Force - Stroke

DC24V 20°C(68°F)



# CB0830

DIMENSIONS ARE  $\frac{\text{INCHES}}{\text{MILLIMETERS}}$



## Duty Cycle

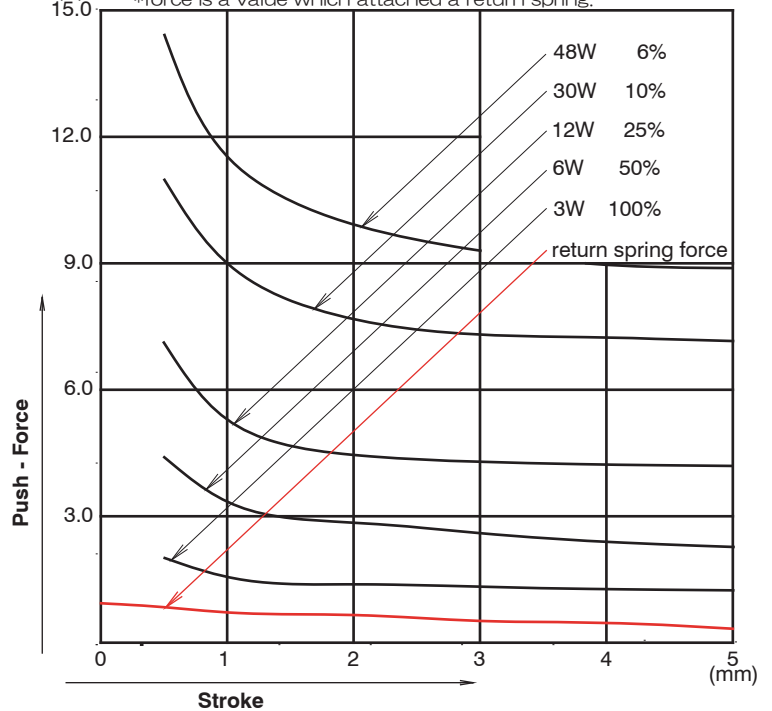
Insulation Class A 105°C(221°F)

Part Number	Coil	Rated	Rated	Rated
	Resistance	DC6V	DC12V	DC24V
CB08300120	12 Ohms	100%	25%	6%
CB08300190	19 Ohms	-	40%	10%
CB08300480	48 Ohms	-	100%	25%
CB08300960	96 Ohms	-	-	50%
CB08301920	192 Ohms	-	-	100%

## Graph Force - Stroke

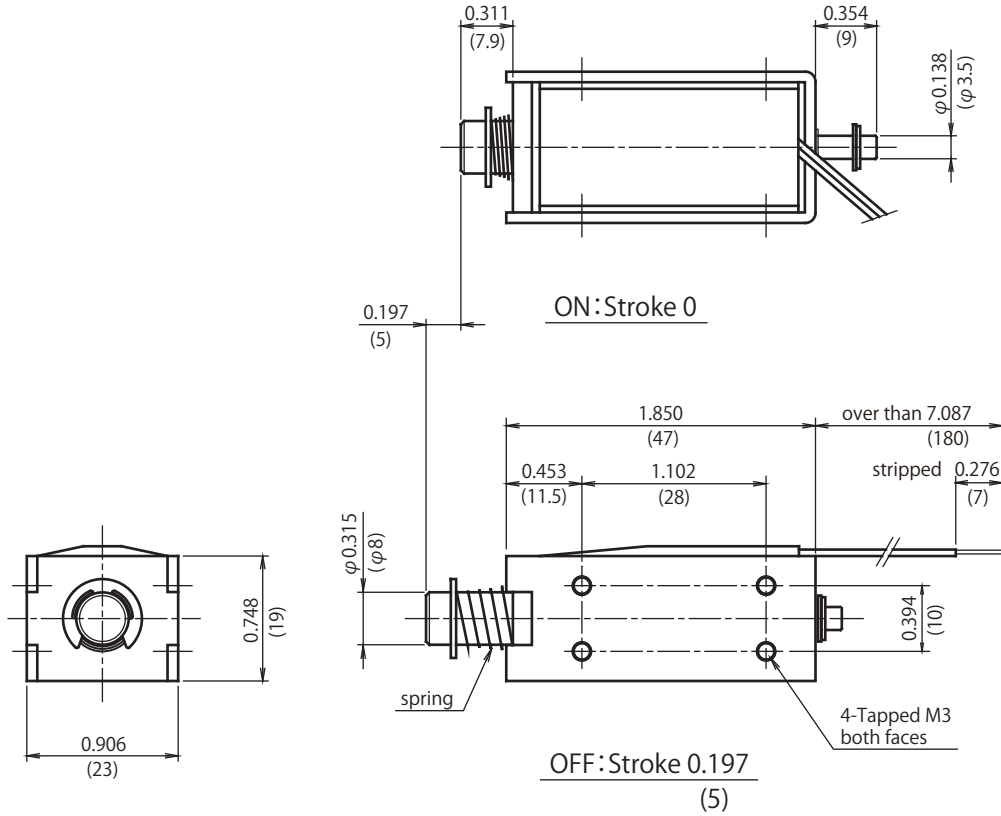
DC24V 20°C(68°F)

\*force is a value which attached a return spring.



# CB0847

DIMENSIONS ARE  $\frac{\text{INCHES}}{\text{MILLIMETERS}}$



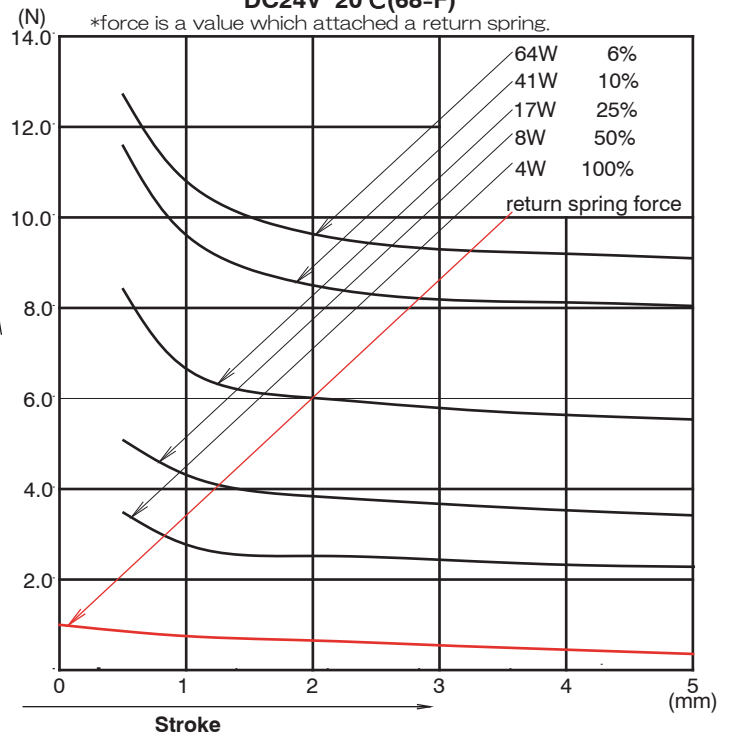
## Duty Cycle

Insulation Class A 105°C(221°F)

Part Number	Coil	Rated	Rated	Rated
	Resistance	DC6V	DC12V	DC24V
CB08470090	9 Ohms	100%	25%	6%
CB08470140	14 Ohms	-	40%	10%
CB08470360	36 Ohms	-	100%	25%
CB08470720	72 Ohms	-	-	50%
CB08471440	144 Ohms	-	-	100%

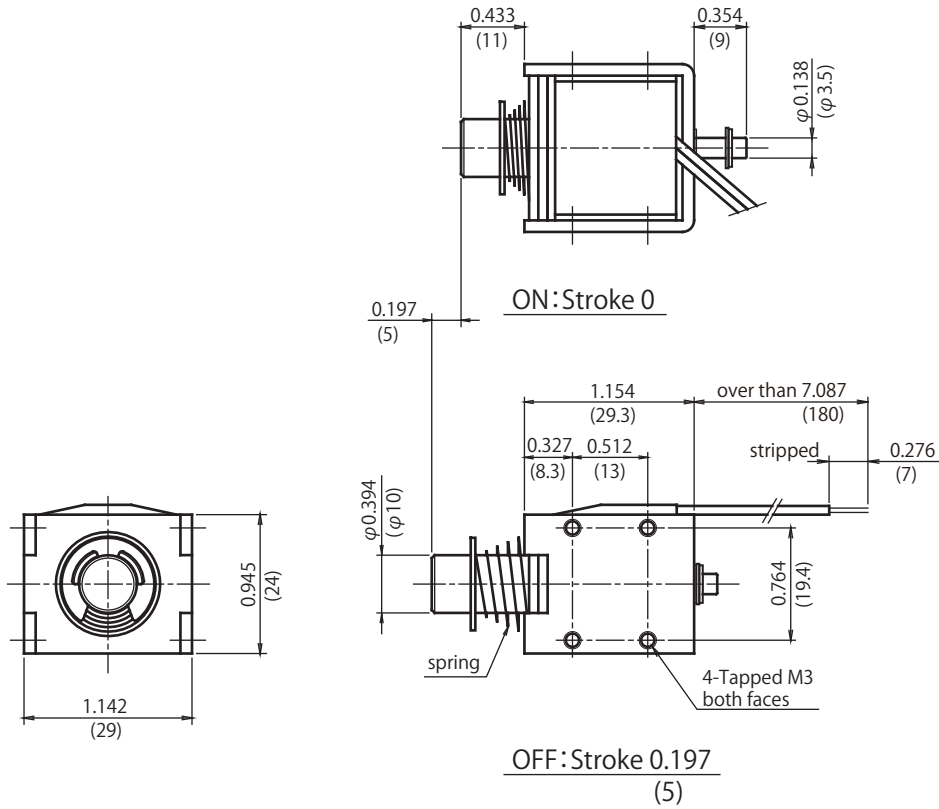
## Graph Force - Stroke

DC24V 20°C(68°F)



# CB1029

DIMENSIONS ARE  $\frac{\text{INCHES}}{\text{MILLIMETERS}}$



## Duty Cycle

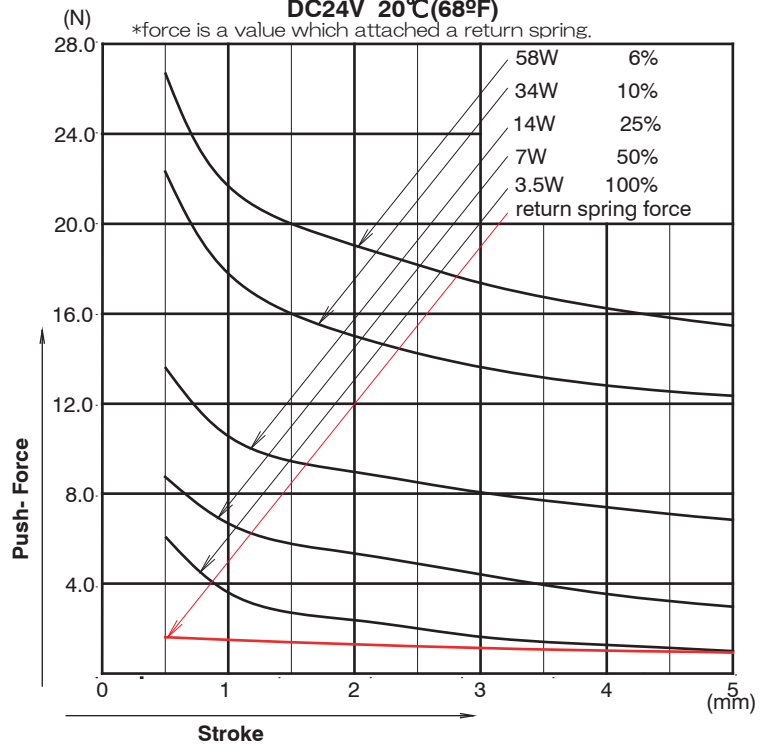
Insulation Class A 105°C(221°F)

Part Number	Coil	Rated	Rated	Rated
	Resistance	DC6V	DC12V	DC24V
CB10290100A	10 Ohms	100%	25%	6%
CB10290170A	17 Ohms	-	40%	10%
CB10290410A	41 Ohms	-	100%	25%
CB10290820A	82 Ohms	-	-	50%
CB10291640A	164 Ohms	-	-	100%

## Graph Force - Stroke

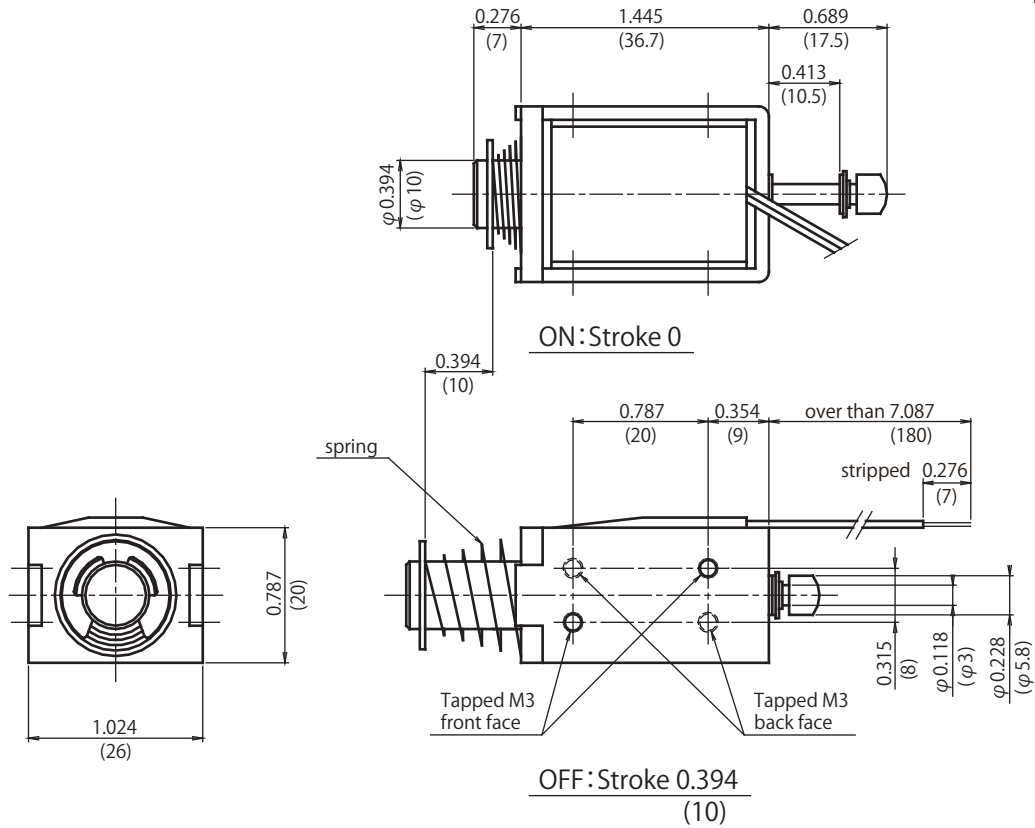
DC24V 20°C(68°F)

\*force is a value which attached a return spring.



# CB1037

DIMENSIONS ARE  $\frac{\text{INCHES}}{\text{MILLIMETERS}}$



## Duty Cycle

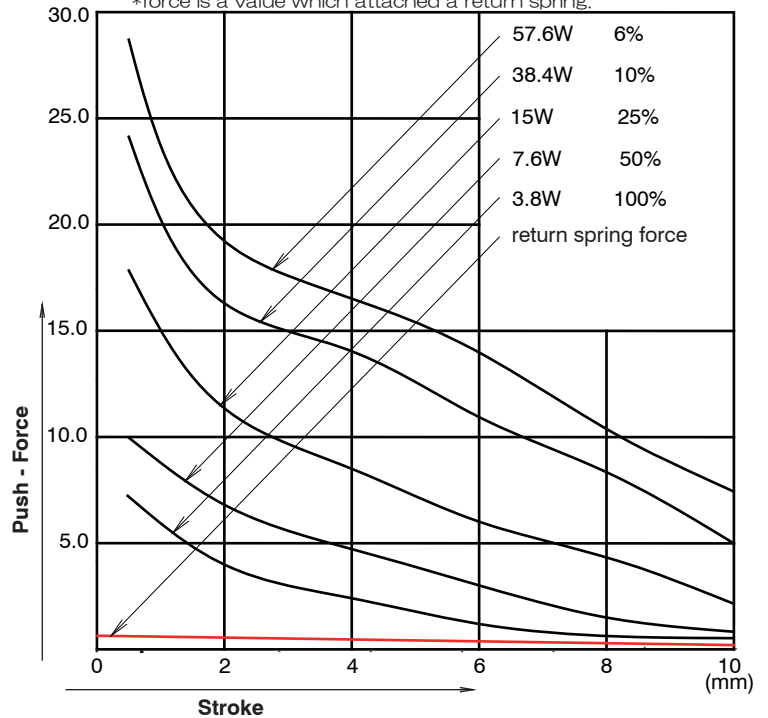
Insulation Class A 105°C(221°F)

Part Number	Coil	Rated	Rated	Rated
	Resistance	DC6V	DC12V	DC24V
CB10370100	10 Ohms	100%	25%	6%
CB10370150	15 Ohms	-	40%	10%
CB10370380	38 Ohms	-	100%	25%
CB10370760	76 Ohms	-	-	50%
CB10371520	152 Ohms	-	-	100%

## Graph Force - Stroke

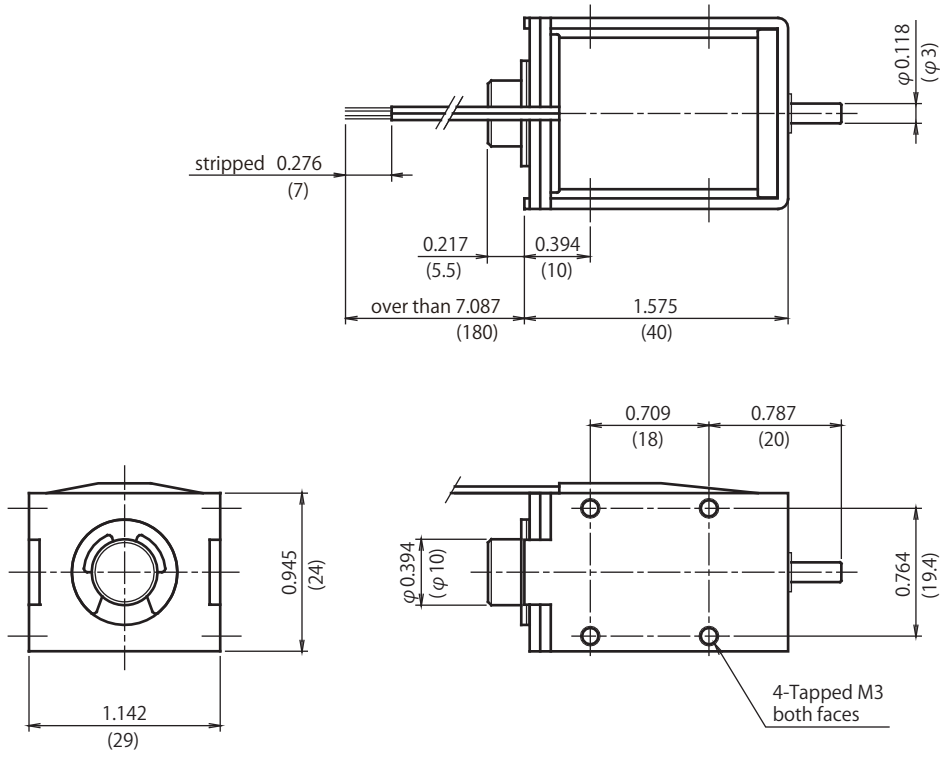
DC24V 20°C(68°F)

\*force is a value which attached a return spring.



# CB1040

DIMENSIONS ARE  $\frac{\text{INCHES}}{\text{MILLIMETERS}}$



Adsorbed position

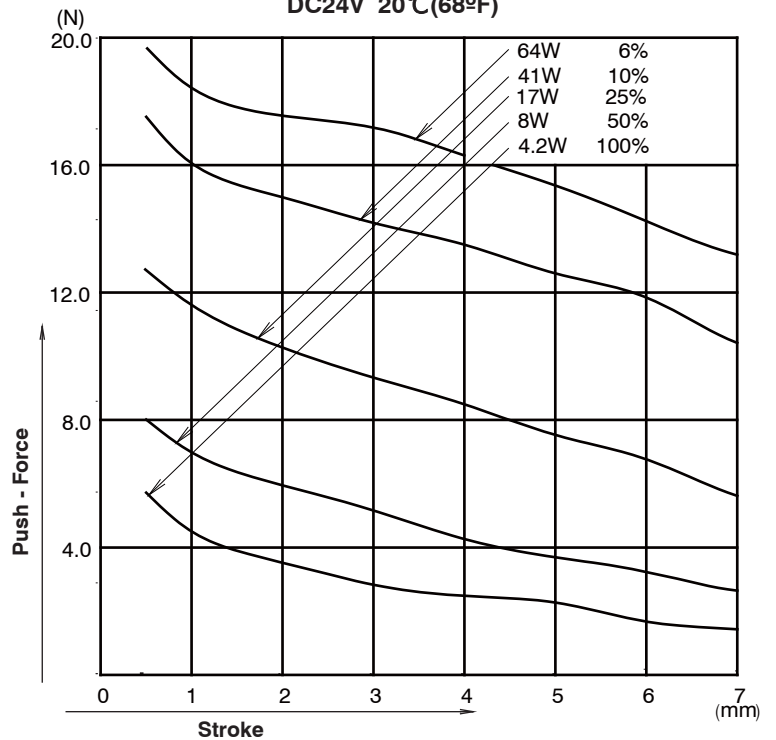
## Duty Cycle

Insulation Class A 105°C(221°F)

Part Number	Coil	Rated	Rated	Rated
	Resistance	DC6V	DC12V	DC24V
CB10400090	9 Ohms	100%	25%	6%
CB10400140	14 Ohms	-	40%	10%
CB10400340	34 Ohms	-	100%	25%
CB10400690	69 Ohms	-	-	50%
CB10401370	137 Ohms	-	-	100%

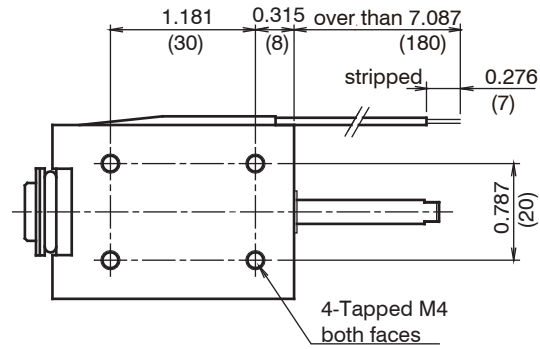
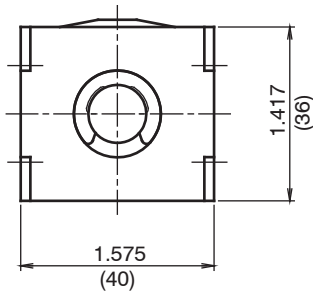
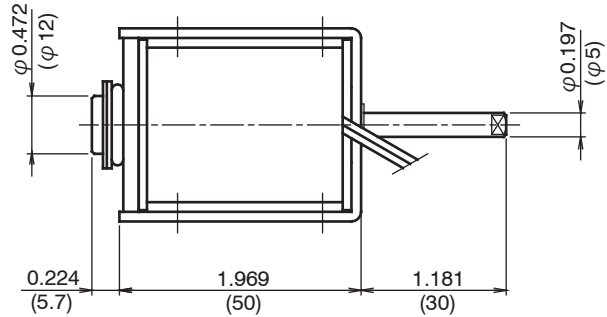
## Graph Force - Stroke

DC24V 20°C(68°F)



# CB1250

DIMENSIONS ARE  $\frac{\text{INCHES}}{\text{MILLIMETERS}}$



Adsorbed position

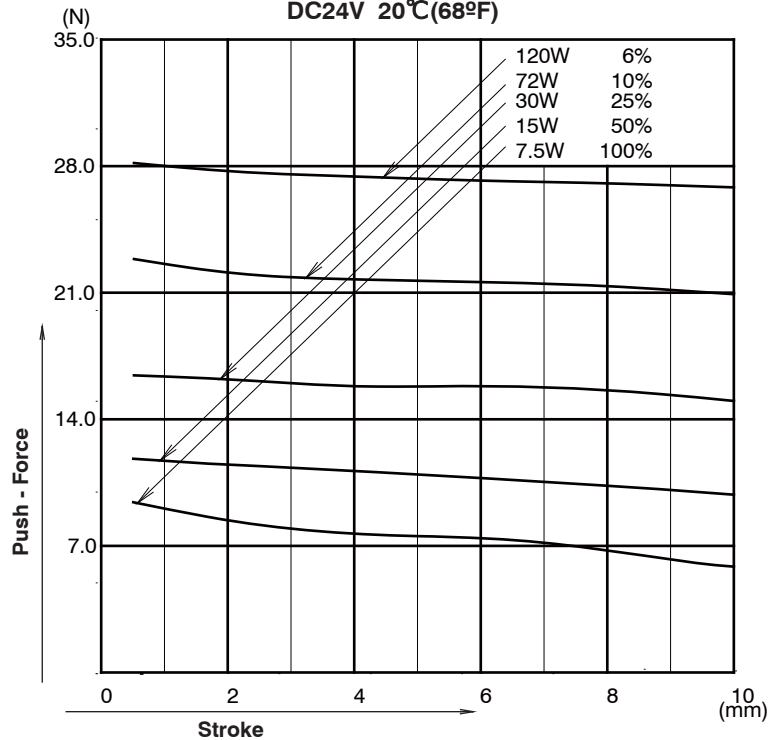
## Duty Cycle

Insulation Class A 105°C(221°F)

Part Number	Coil	Rated	Rated	Rated
	Resistance	DC6V	DC12V	DC24V
CB12500045	4.5 Ohms	100%	25%	6%
CB12500080	8 Ohms	-	40%	10%
CB12500190	19 Ohms	-	100%	25%
CB12500380	38 Ohms	-	-	50%
CB12500770	77 Ohms	-	-	100%

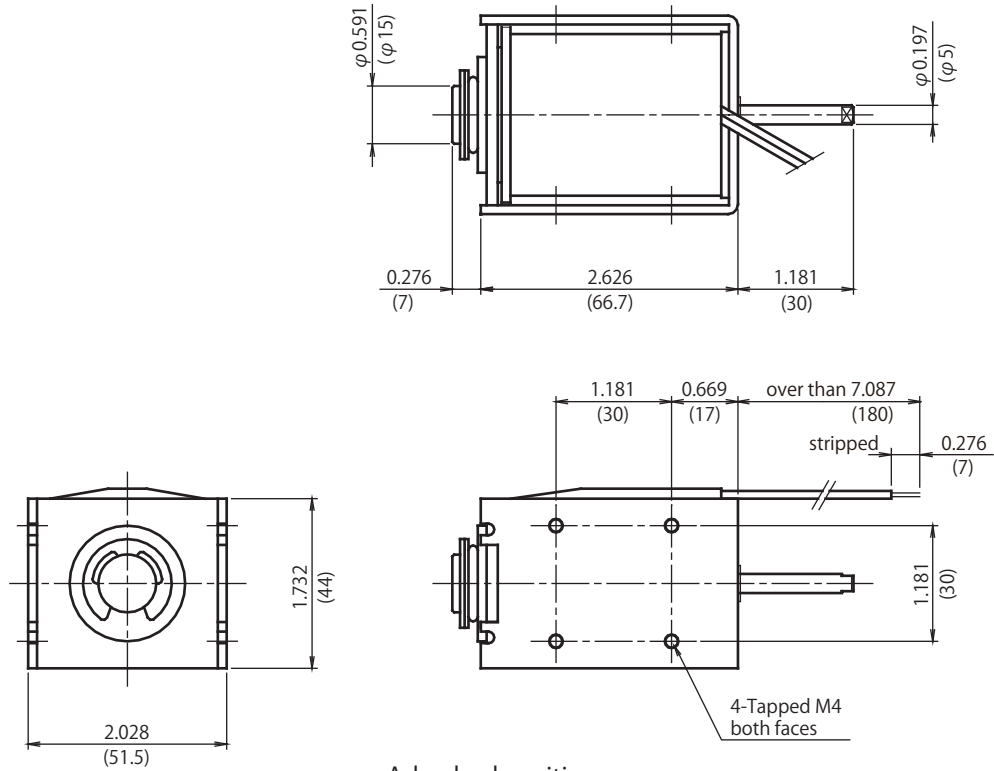
## Graph Force - Stroke

DC24V 20°C(68°F)



# CB1567

DIMENSIONS ARE  $\frac{\text{INCHES}}{\text{MILLIMETERS}}$



Adsorbed position

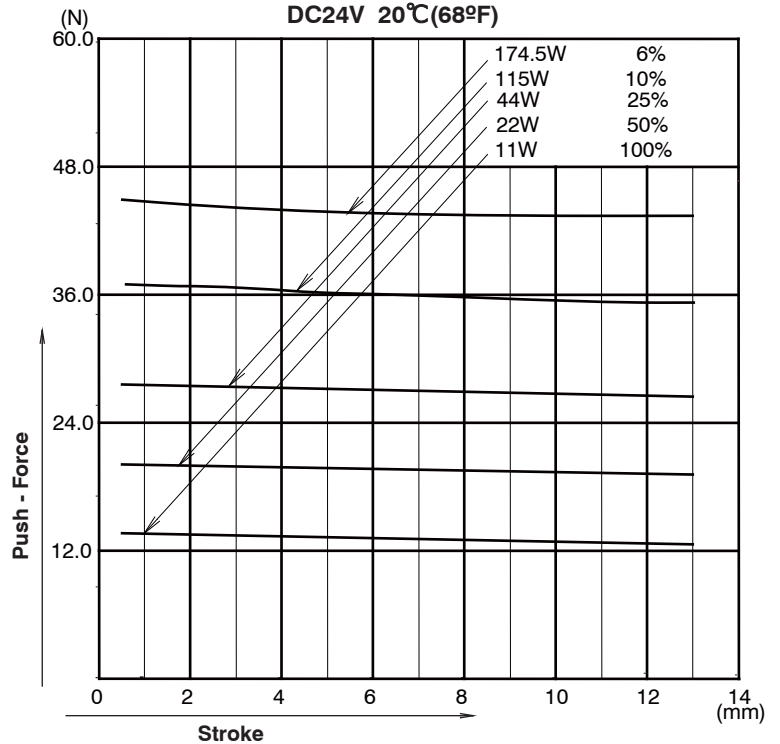
## Duty Cycle

Insulation Class A 105°C(221°F)

Part Number	Coil	Rated	Rated	Rated
	Resistance	DC6V	DC12V	DC24V
CB15670033	3.3 Ohms	100%	25%	6%
CB15670050	5 Ohms	-	40%	10%
CB15670130	13 Ohms	-	100%	25%
CB15670260	26 Ohms	-	-	50%
CB15670520	52 Ohms	-	-	100%

## Graph Force - Stroke

DC24V 20°C(68°F)

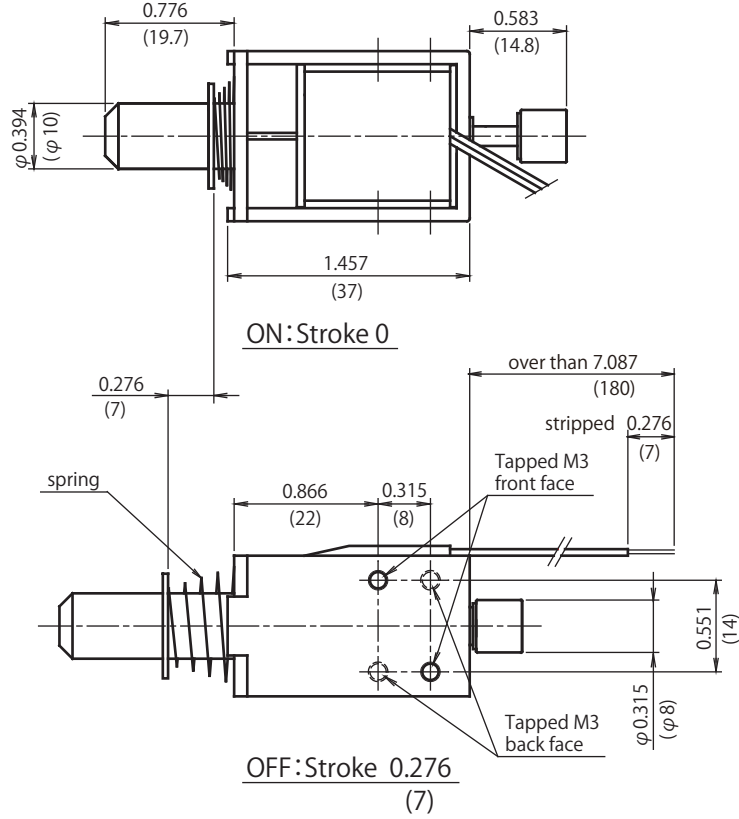
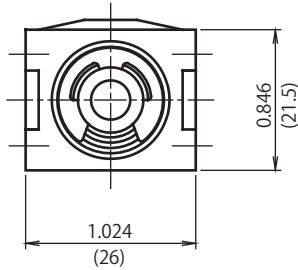
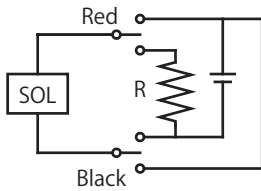




# CBD1037

DIMENSIONS ARE  $\frac{\text{INCHES}}{\text{MILLIMETERS}}$

Pull : Red Wire (+) Black Wire (-)  
 Release : Red Wire (-) Black Wire (+)



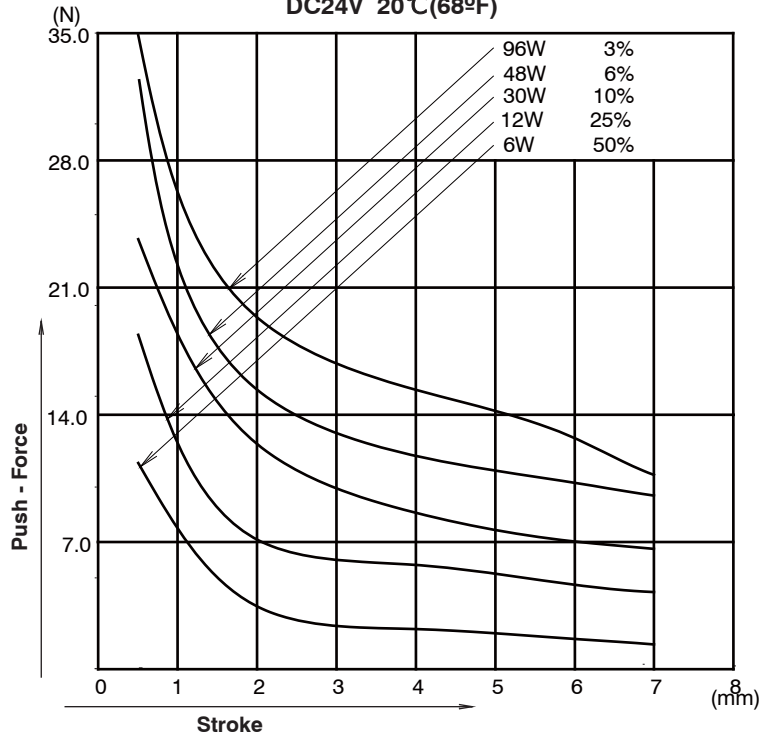
## Duty Cycle

Insulation Class A 105°C(221°F)

Part Number	Coil	Rated	Rated	Rated
	Resistance	DC6V	DC12V	DC24V
CBD10370060	6 Ohms	100%	25%	6%
CBD10370120	12 Ohms	-	40%	10%
CBD10370190	19 Ohms	-	100%	25%
CBD10370480	48 Ohms	-	-	50%
CBD10370960	96 Ohms	-	-	100%

## Graph Force - Stroke

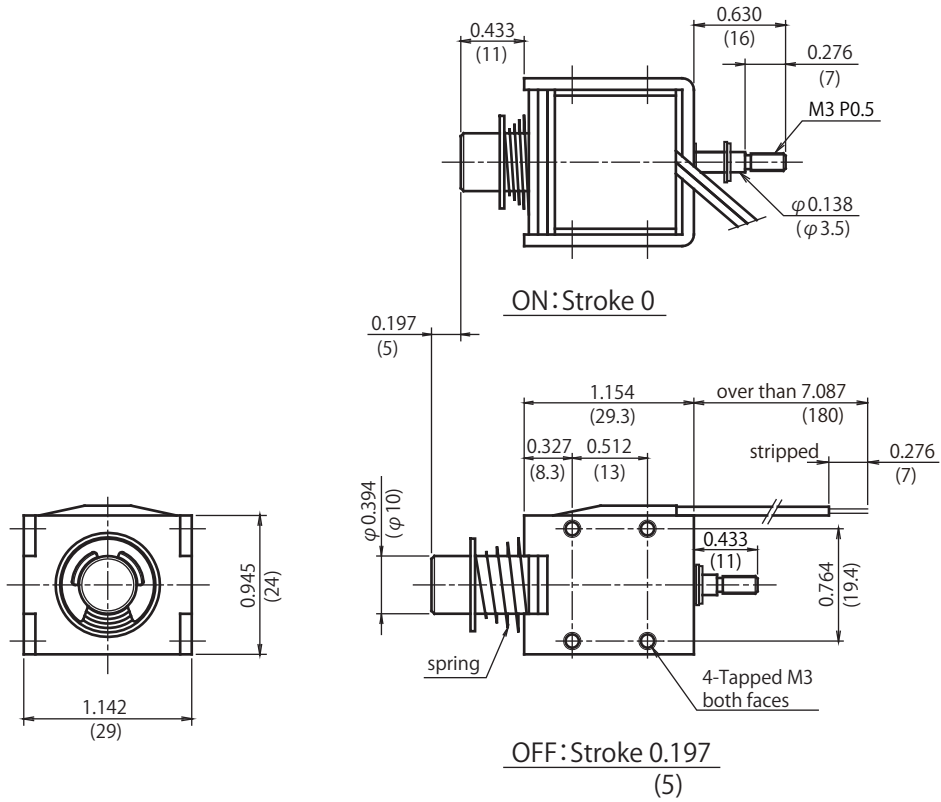
DC24V 20°C(68°F)





# CBS1029

DIMENSIONS ARE  $\frac{\text{INCHES}}{\text{MILLIMETERS}}$



## Duty Cycle

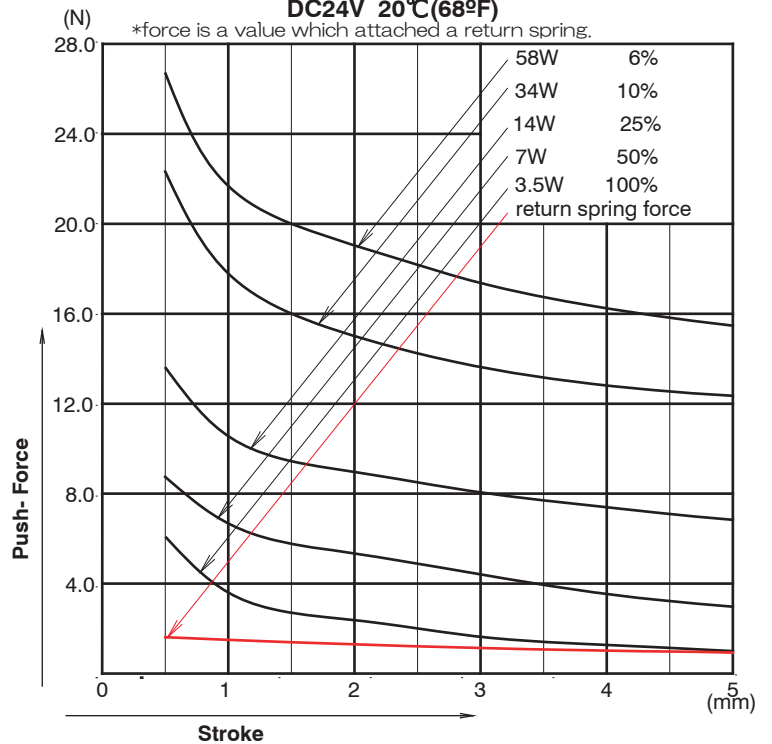
Insulation Class A 105°C(221°F)

Part Number	Coil	Rated	Rated	Rated
	Resistance	DC6V	DC12V	DC24V
CBS10290100	10 Ohms	100%	25%	6%
CBS10290170	17 Ohms	-	40%	10%
CBS10290410	41 Ohms	-	100%	25%
CBS10290820	82 Ohms	-	-	50%
CBS10291640	164 Ohms	-	-	100%

## Graph Force - Stroke

DC24V 20°C(68°F)

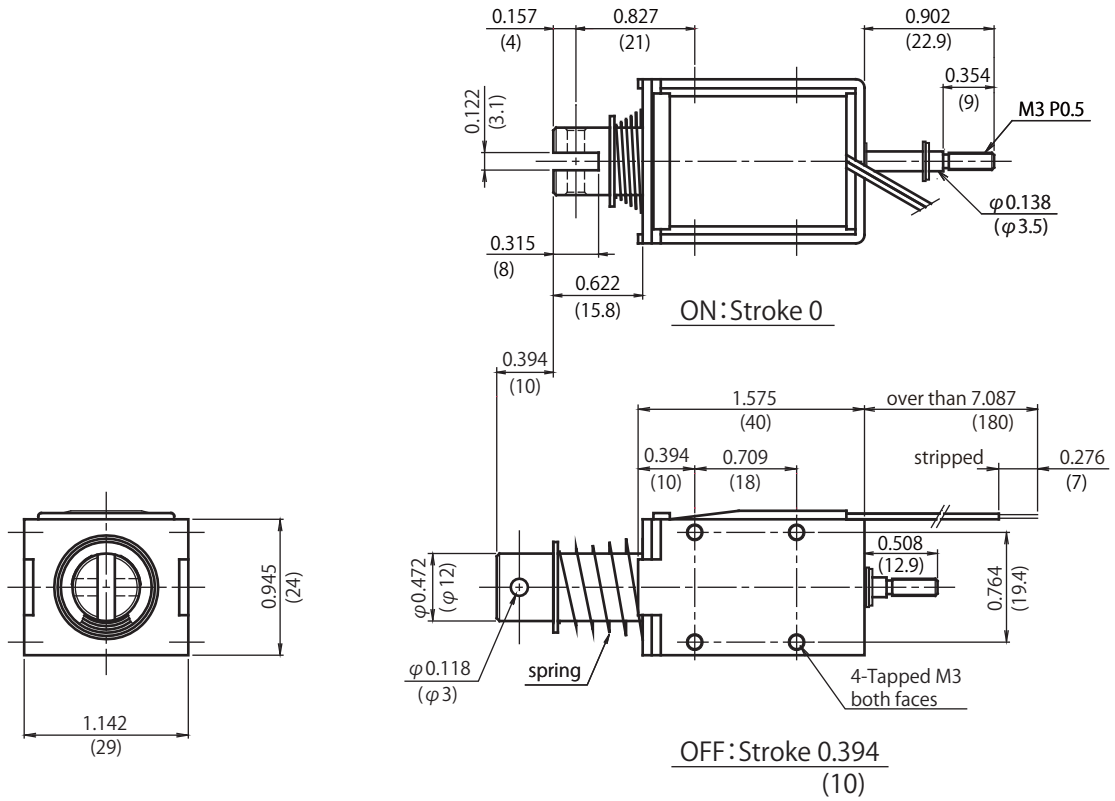
\*force is a value which attached a return spring.





# CBS1240

DIMENSIONS ARE  $\frac{\text{INCHES}}{\text{MILLIMETERS}}$



## Duty Cycle

Insulation Class A 105°C(221°F)

Part Number	Coil	Rated	Rated	Rated
	Resistance	DC6V	DC12V	DC24V
CBS12400080	8 Ohms	100%	25%	6%
CBS12400130	13 Ohms	-	40%	10%
CBS12400320	32 Ohms	-	100%	25%
CBS12400640	64 Ohms	-	-	50%
CBS12401280	128 Ohms	-	-	100%

## Graph Force - Stroke

DC24V 20°C(68°F)

