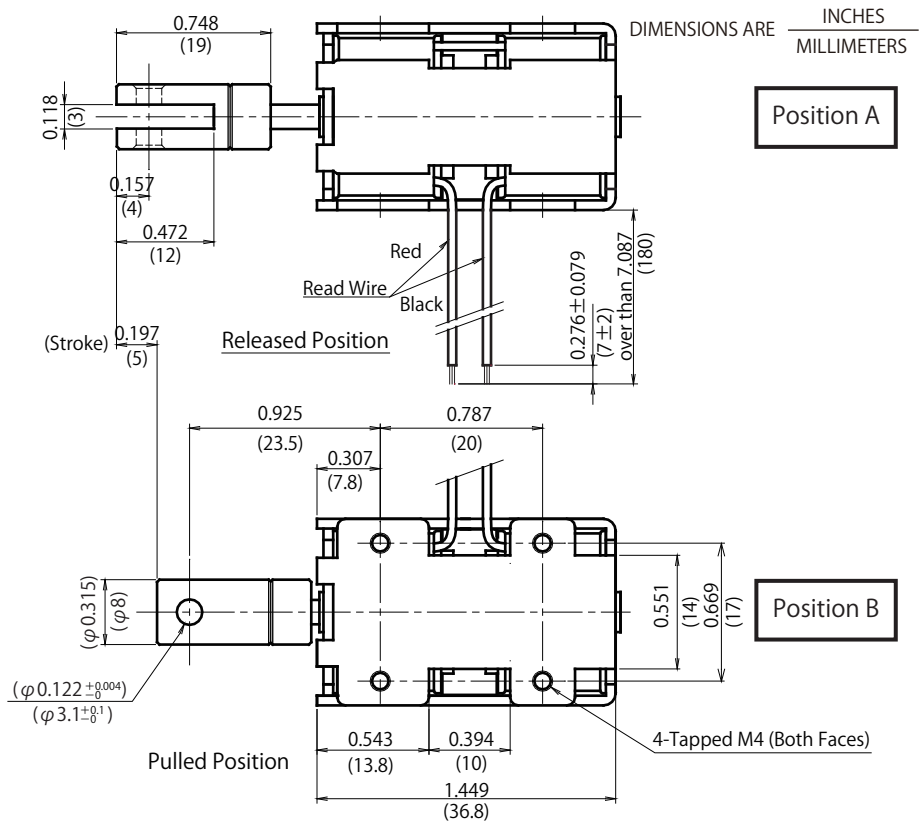
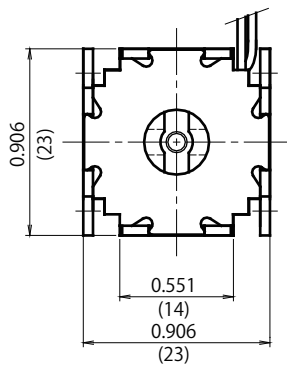
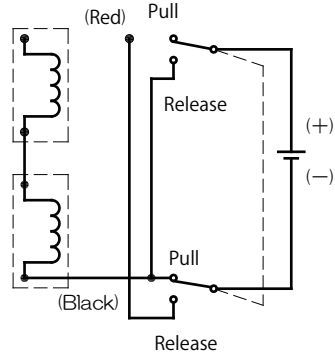


CG0836

Pull : Red Wire (+) Black Wire (-)
 Release : Red Wire (-) Black Wire (+)



Position A

Position B

Duty Cycle
 Insulation Class A 105°C(221°F)

Part Number	Resistance	DC6V	DC12V	DC24V
CG08360060	6 Ohms	6W 10% ON : Less than 400s	—	—
CG08360240	24 Ohms	—	6W 10% ON : Under400s	—
CG08360960	96 Ohms	—	—	6W 10% ON : Under400s

Holding force (N)

Position A (Released)	Over than 10
Position B (Pulled)	Over than 10

Response Speed (Non Load, Horizontal)
 PositionA→B (Pulled)

Part Number	Resistance	DC6V	DC12V	DC24V
CG08360060	6 Ohms	21ms	—	—
CG08360240	24 Ohms	—	21ms	—
CG08360960	96 Ohms	—	—	21ms

Pull Force 20°C(68°F)
 PositionA→B (Pulled)

Part Number	Resistance	DC6V	DC12V	DC24V
CG08360060	6 Ohms	2.4N	—	—
CG08360240	24 Ohms	—	2.4N	—
CG08360960	96 Ohms	—	—	2.4N

PositionB→A (Released)

Part Number	Resistance	DC6V	DC12V	DC24V
CG08360060	6 Ohms	20ms	—	—
CG08360240	24 Ohms	—	20ms	—
CG08360960	96 Ohms	—	—	20ms

PositionB→A (Released)

Part Number	Resistance	DC6V	DC12V	DC24V
CG08360060	6 Ohms	2.7N	—	—
CG08360240	24 Ohms	—	2.7N	—
CG08360960	96 Ohms	—	—	2.7N