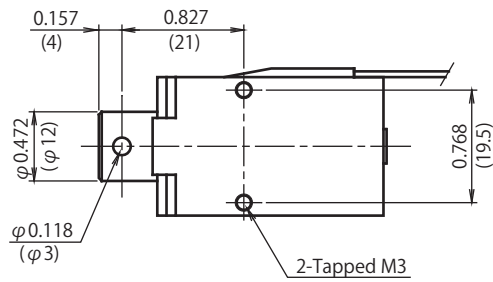
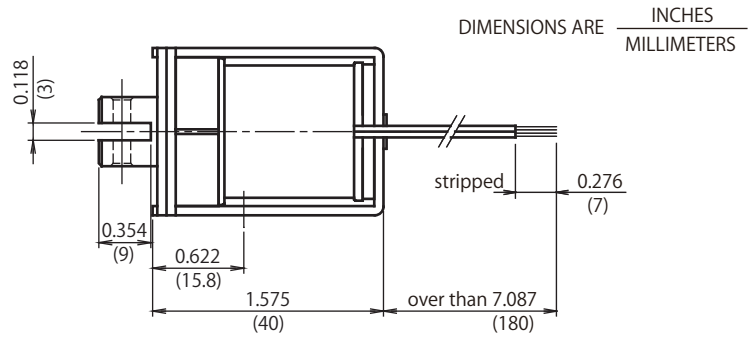
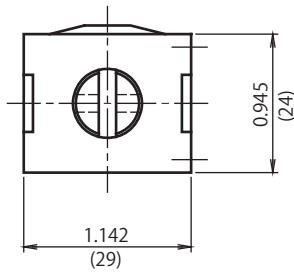
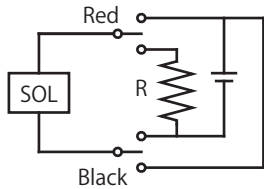


CD1240

Pull : Red Wire (+) Black Wire (-)
 Release : Red Wire (-) Black Wire (+)



Adsorbed position

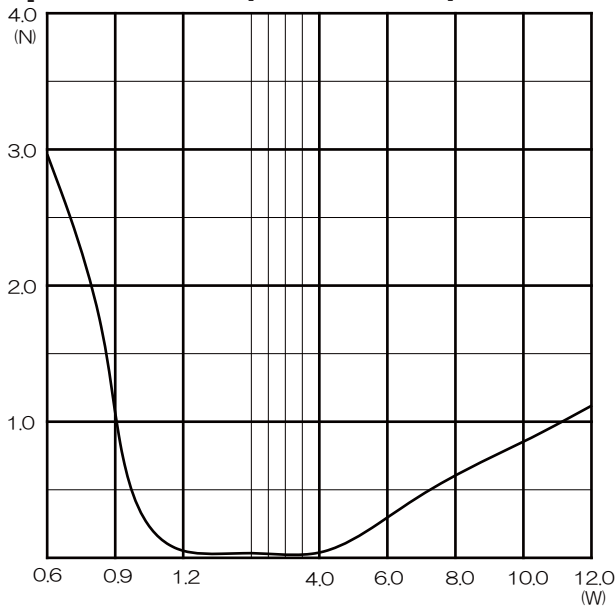
Duty Cycle

Insulation Class A 105°C(221°F)

Part Number	Coil	Rated	Rated	Rated
	Resistance	DC6V	DC12V	DC24V
CD12400100	10 Ohms	100%	25%	6%
CD12400170	17 Ohms		40%	10%
CD12400410	41 Ohms	-	100%	25%
CD12400820	82 Ohms	-	-	50%

Holding force (N)
10.5

Graph Release power consumption - load



Graph Force - Stroke

DC24V 20°C(68°F)

