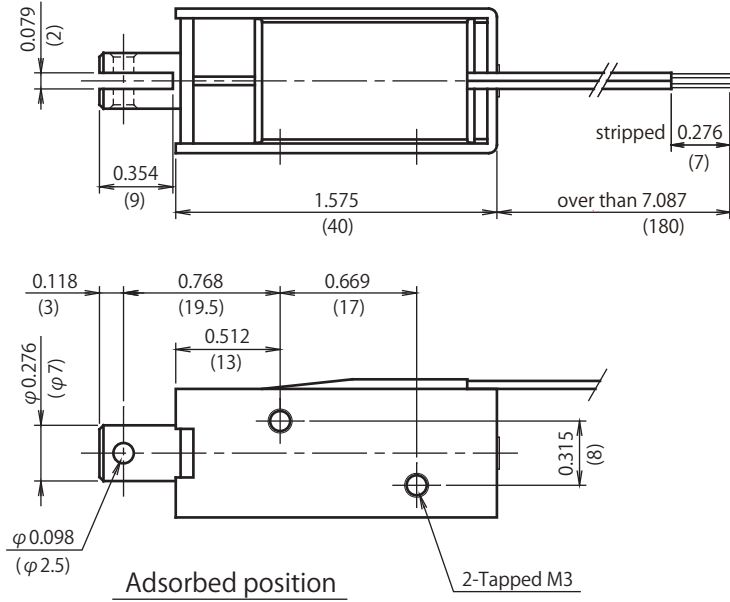
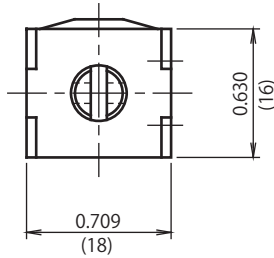
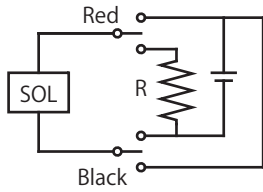


CD0740

DIMENSIONS ARE $\frac{\text{INCHES}}{\text{MILLIMETERS}}$

Pull : Red Wire (+) Black Wire (-)
 Release : Red Wire (-) Black Wire (+)



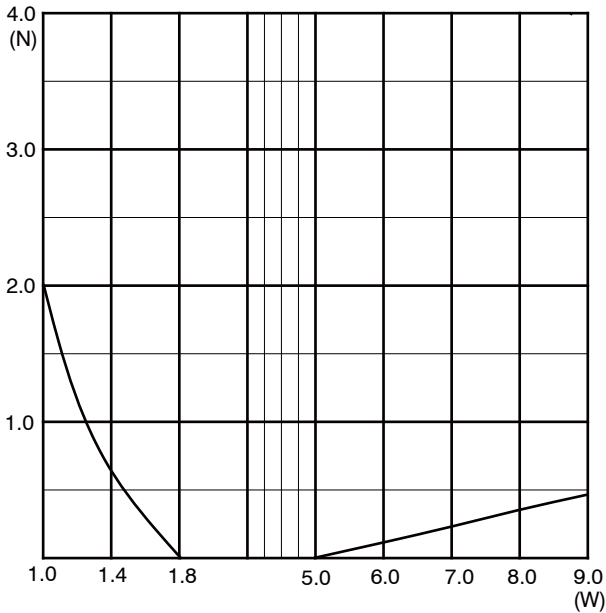
Duty Cycle

Insulation Class A 105°C(221°F)

Part Number	Coil	Rated	Rated	Rated
	Resistance	DC6V	DC12V	DC24V
CD07400140	14 Ohms	100%	25%	6%
CD07400230	23 Ohms	-	40%	10%
CD07400580	58 Ohms	-	100%	25%
CD07401150	115 Ohms	-	-	50%

Holding force (N)
7.0

Graph Release power consumption - load



Graph Force - Stroke

DC24V 20°C(68°F)

