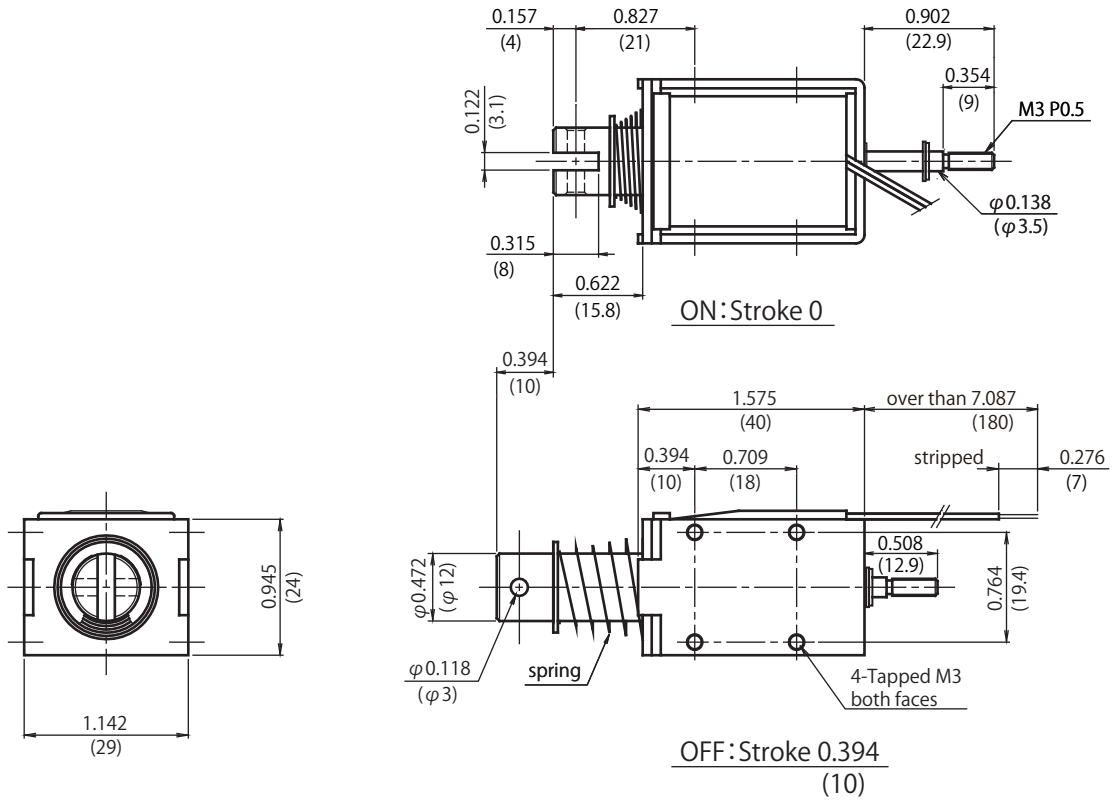


# CBS1240

DIMENSIONS ARE  $\frac{\text{INCHES}}{\text{MILLIMETERS}}$



## Duty Cycle

Insulation Class A 105°C(221°F)

Part Number	Coil	Rated	Rated	Rated
	Resistance	DC6V	DC12V	DC24V
CBS12400080	8 Ohms	100%	25%	6%
CBS12400130	13 Ohms	-	40%	10%
CBS12400320	32 Ohms	-	100%	25%
CBS12400640	64 Ohms	-	-	50%
CBS12401280	128 Ohms	-	-	100%

## Graph Force - Stroke

DC24V 20°C(68°F)

