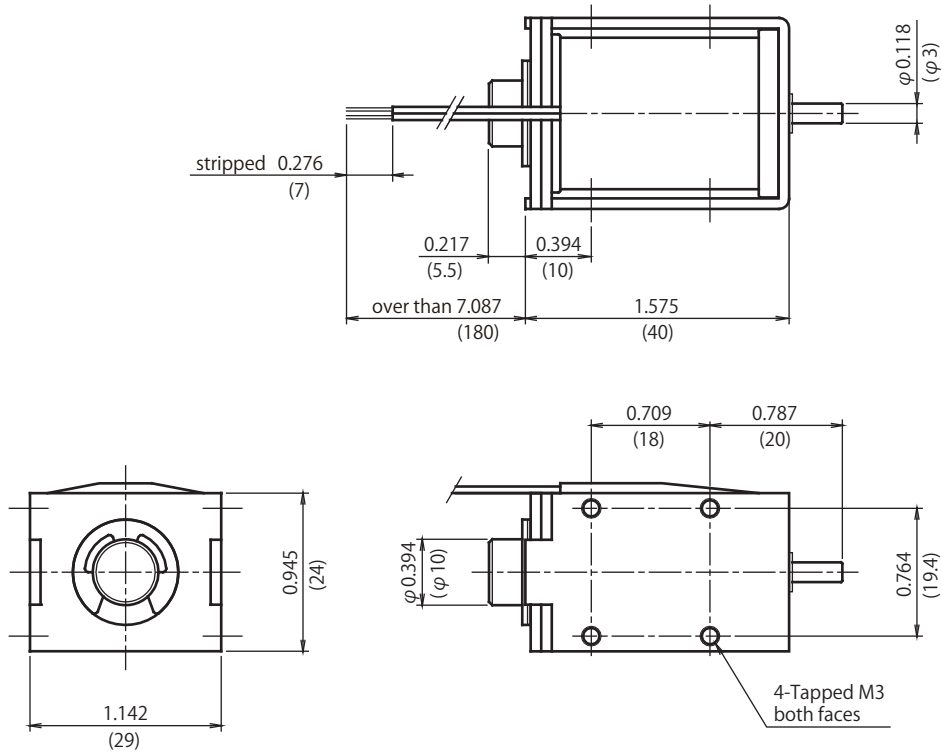


CB1040

DIMENSIONS ARE $\frac{\text{INCHES}}{\text{MILLIMETERS}}$



Adsorbed position

Duty Cycle

Insulation Class A 105°C(221°F)

Part Number	Coil	Rated	Rated	Rated
	Resistance	DC6V	DC12V	DC24V
CB10400090	9 Ohms	100%	25%	6%
CB10400140	14 Ohms	-	40%	10%
CB10400340	34 Ohms	-	100%	25%
CB10400690	69 Ohms	-	-	50%
CB10401370	137 Ohms	-	-	100%

Graph Force - Stroke

DC24V 20°C(68°F)

