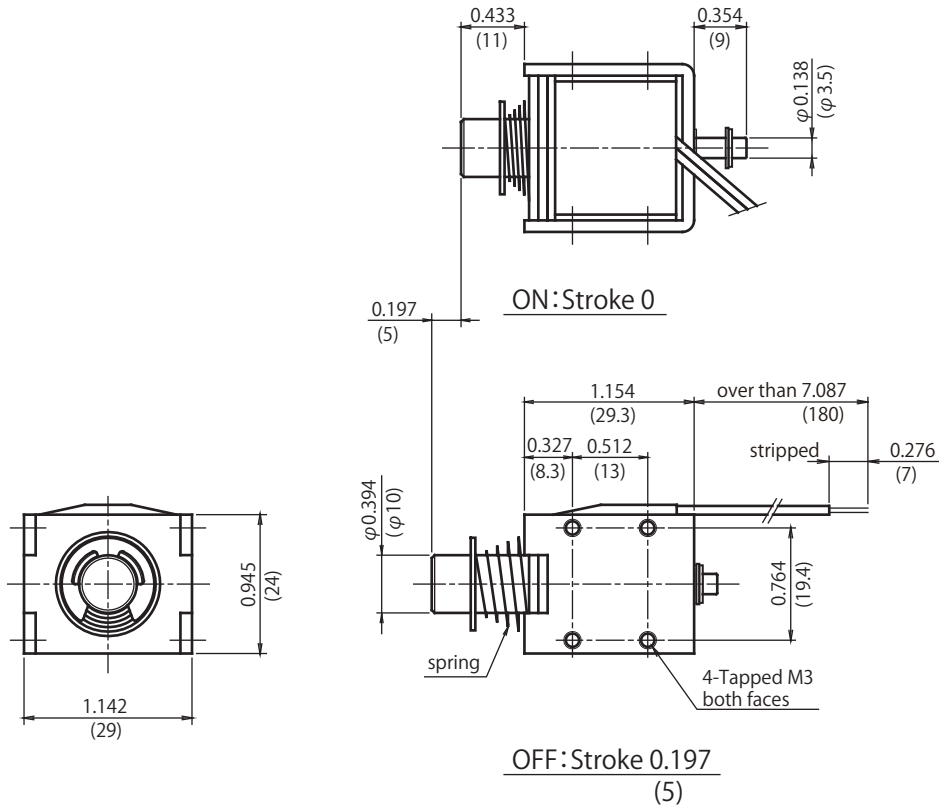


CB1029

DIMENSIONS ARE $\frac{\text{INCHES}}{\text{MILLIMETERS}}$



Duty Cycle

Insulation Class A 105°C(221°F)

Part Number	Coil	Rated	Rated	Rated
	Resistance	DC6V	DC12V	DC24V
CB10290100A	10 Ohms	100%	25%	6%
CB10290170A	17 Ohms	-	40%	10%
CB10290410A	41 Ohms	-	100%	25%
CB10290820A	82 Ohms	-	-	50%
CB10291640A	164 Ohms	-	-	100%

Graph Force - Stroke

DC24V 20°C(68°F)

*force is a value which attached a return spring.

