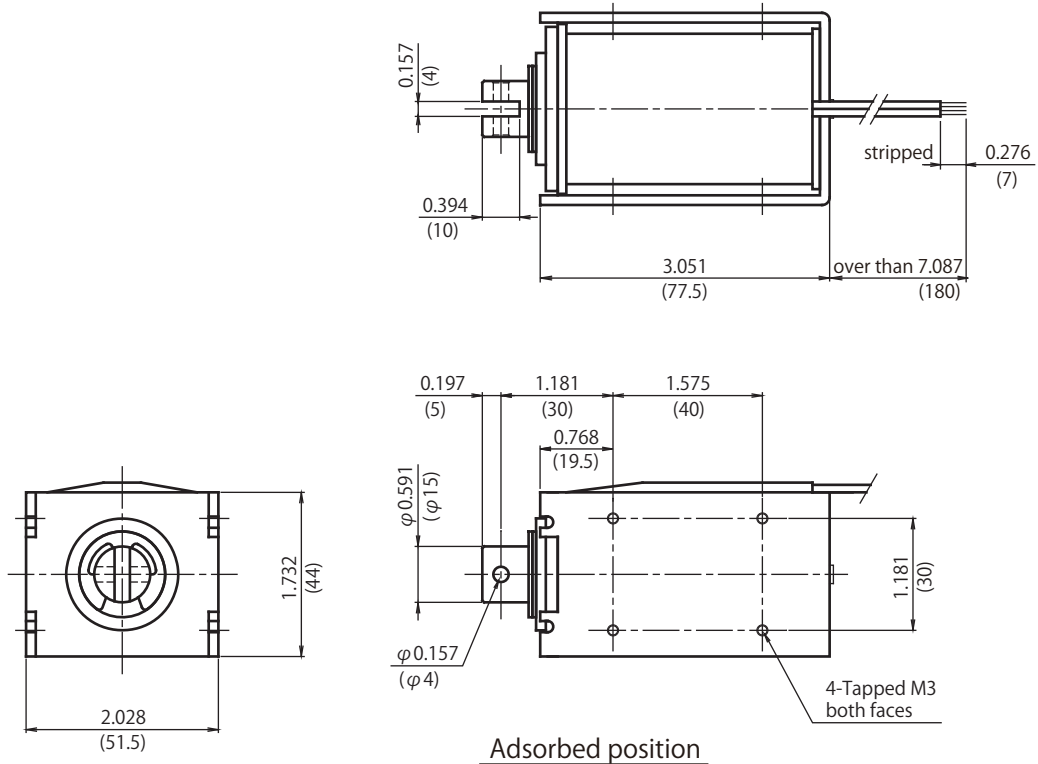


CA1578

DIMENSIONS ARE $\frac{\text{INCHES}}{\text{MILLIMETERS}}$



Adsorbed position

Duty Cycle

Insulation Class A 105°C(221°F)

Part Number	Coil	Rated	Rated	Rated
	Resistance	DC6V	DC12V	DC24V
CA15780028	2.8 Ohms	100%	25%	6%
CA15780044	4.4 Ohms	-	40%	10%
CA15780110	11 Ohms	-	100%	25%
CA15780220	22 Ohms	-	-	50%
CA15780440	44 Ohms	-	-	100%

Graph Force - Stroke

DC24V 20°C(68°F)

