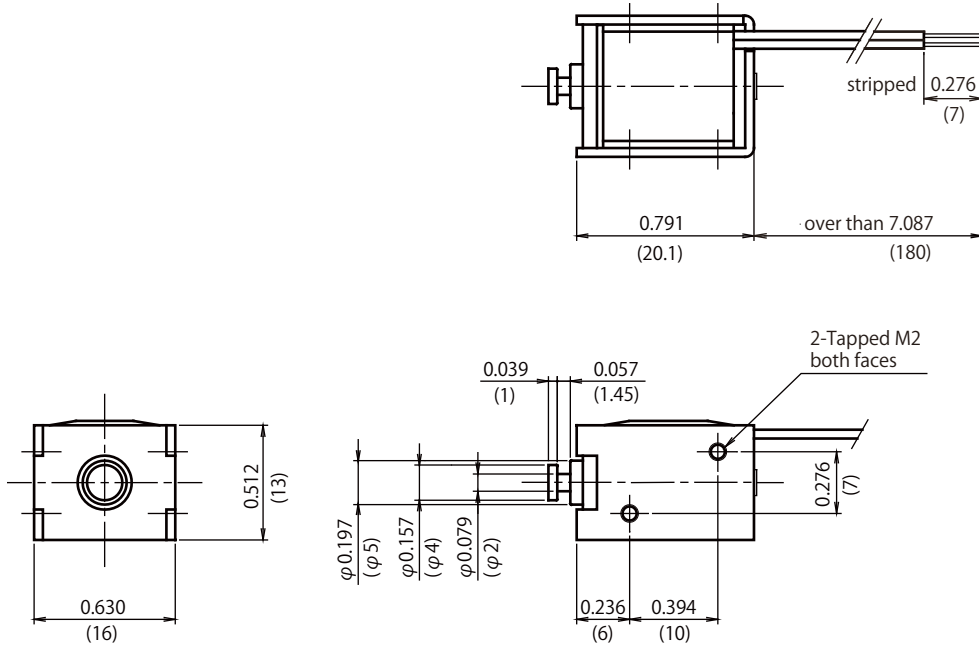


CA0520

DIMENSIONS ARE $\frac{\text{INCHES}}{\text{MILLIMETERS}}$



Adsorbed position

Duty Cycle

Insulation Class A 105°C(221°F)

Part Number	Coil	Rated DC6V	Rated DC12V	Rated DC24V
	Resistance			
CA05200240	24 Ohms	100%	25%	6%
CA05200380	38 Ohms	-	40%	10%
CA05200960	96 Ohms	-	100%	25%
CA05201920	192 Ohms	-	-	50%
CA05203840	384 Ohms	-	-	100%

Graph Force - Stroke

DC24V 20°C(68°F)

