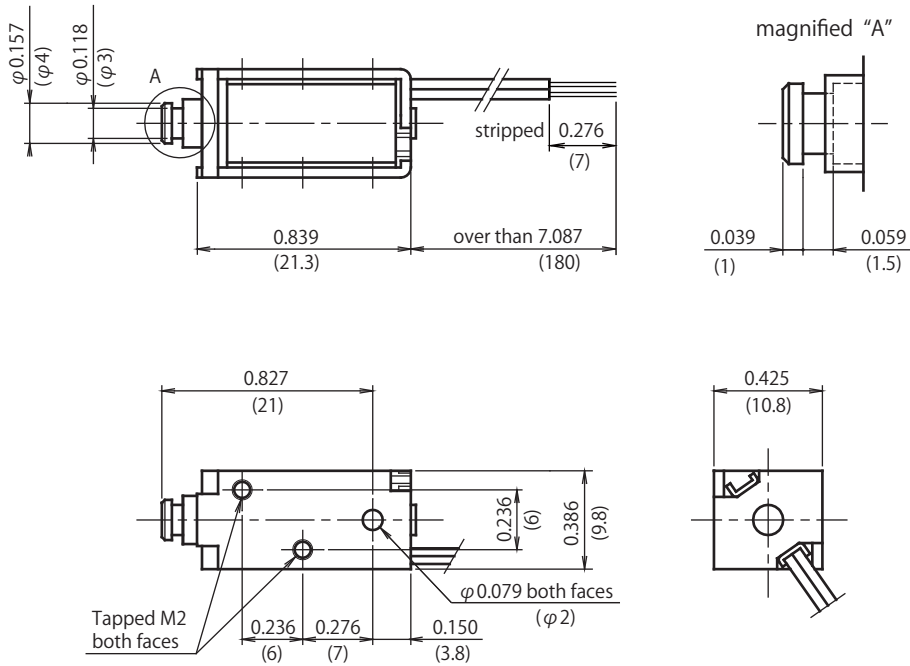


# CA0422

DIMENSIONS ARE  $\frac{\text{INCHES}}{\text{MILLIMETERS}}$



Adsorbed position

## Duty Cycle

Insulation Class A 105°C(221°F)

Part Number	Coil	Rated	Rated	Rated
	Resistance	DC6V	DC12V	DC24V
CA04220240	24 Ohms	100%	25%	6%
CA04220380	38 Ohms	-	40%	10%
CA04220960	96 Ohms	-	100%	25%
CA04221920	192 Ohms	-	-	50%
CA04223840	384 Ohms	-	-	100%

## Graph Force - Stroke

DC24V 20°C(68°F)

