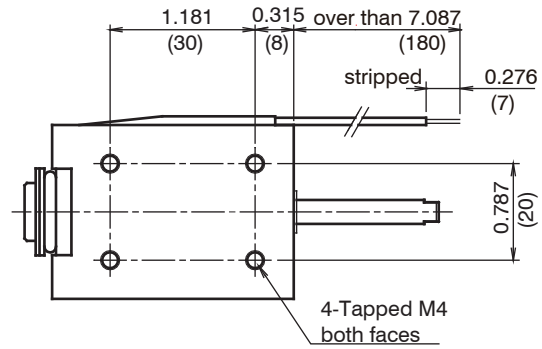
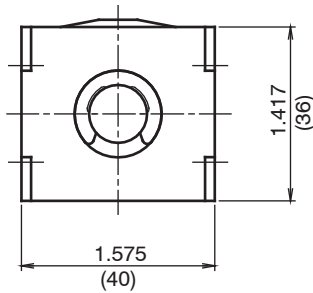
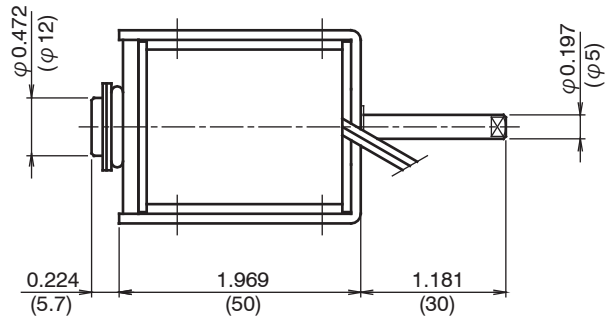


CB1250

DIMENSIONS ARE $\frac{\text{INCHES}}{\text{MILLIMETERS}}$



Adsorbed position

Duty Cycle

Insulation Class A 105°C(221°F)

Part Number	Coil	Rated	Rated	Rated
	Resistance	DC6V	DC12V	DC24V
CB12500045	4.5 Ohms	100%	25%	6%
CB12500080	8 Ohms	-	40%	10%
CB12500190	19 Ohms	-	100%	25%
CB12500380	38 Ohms	-	-	50%
CB12500770	77 Ohms	-	-	100%

Graph Force - Stroke

DC24V 20°C(68°F)

