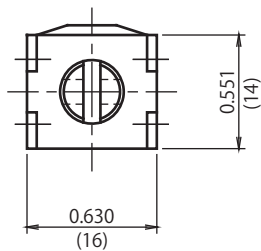
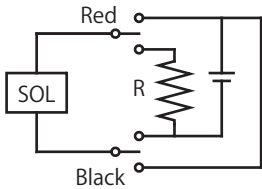
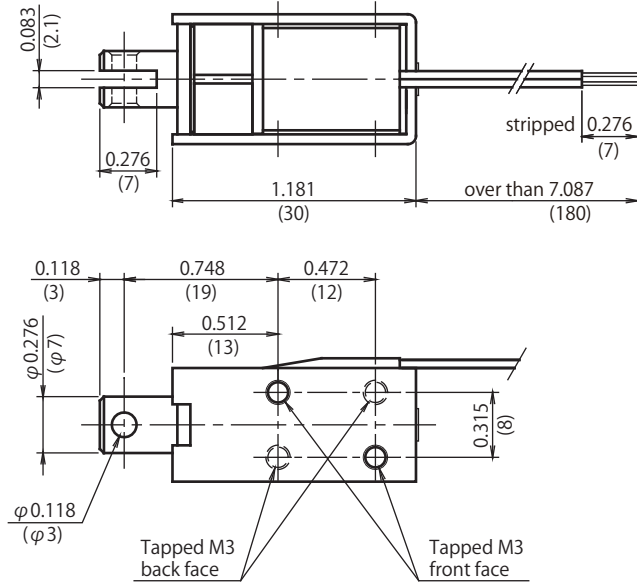


# CD0730

Pull : Red Wire (+) Black Wire (-)  
 Release : Red Wire (-) Black Wire (+)



DIMENSIONS ARE  $\frac{\text{INCHES}}{\text{MILLIMETERS}}$



Adsorbed position

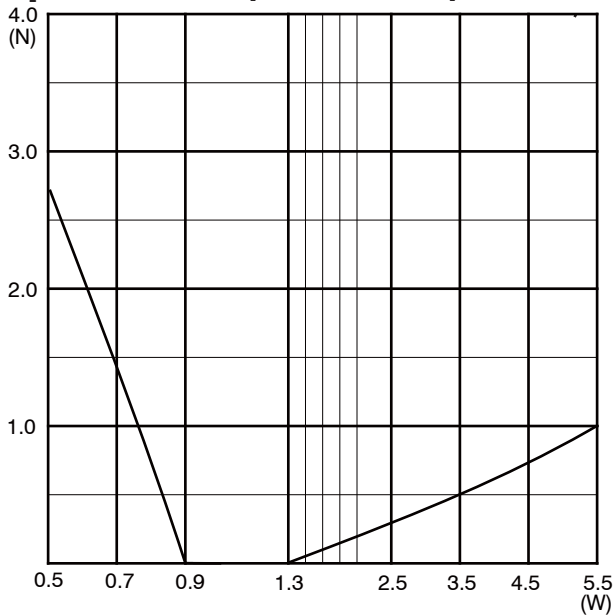
## Duty Cycle

Insulation Class A 105°C(221°F)

Part Number	Coil	Rated	Rated	Rated
	Resistance	DC6V	DC12V	DC24V
CD07300240	24 Ohms	100%	25%	6%
CD07300380	38 Ohms	-	40%	10%
CD07300960	96 Ohms	-	100%	25%
CD07301920	192 Ohms	-	-	50%

<b>Holding force (N)</b>
<b>6.0</b>

## Graph Release power consumption - load



## Graph Force - Stroke

DC24V 20°C(68°F)

